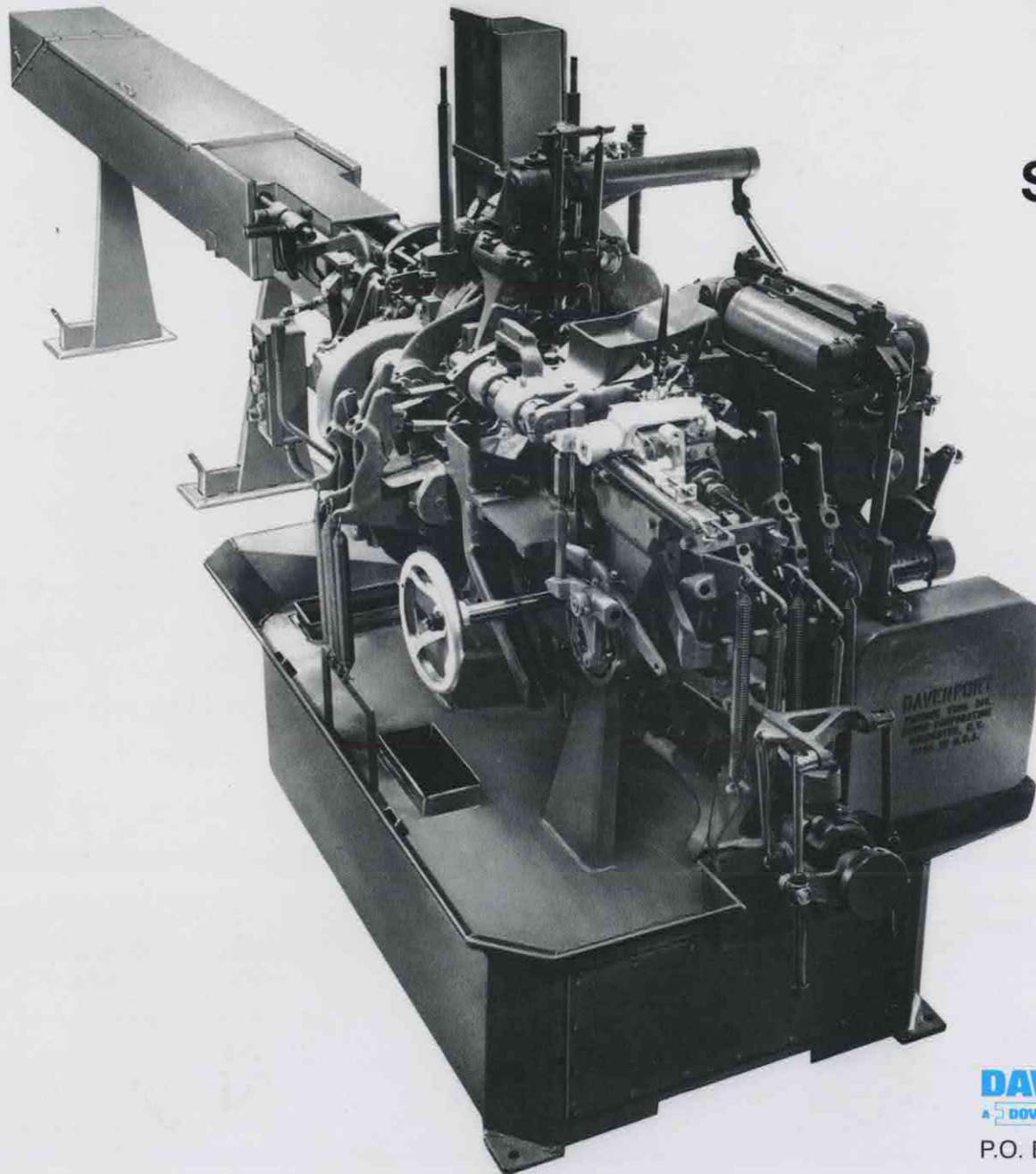


Parts List

1987 EDITION

The Davenport 5 Spindle Automatic Screw Machine Model B



DAVENPORT MACHINE
A DOVER INDUSTRIES COMPANY

P.O. Box 228, Rochester, N.Y. 14601

TITLE	PAGE NO.
STANDARD CAMS, GEARS & MISCELLANEOUS PARTS	1
FRONT VIEW	2
SECTION THROUGH FRONT CAM SHAFT	4
SECTION THROUGH WORK SPINDLE CARRIER & STATIONARY HEAD	6
REGULAR & OVERSIZE CHUCK WRENCHES	8
FEED TUBE WRENCH	10
SECTION THROUGH WORK SPINDLES - REGULAR & OVERSIZE	12
LEFT END FEED FINGER & SPINDLE ALIGNING GEAR	14
REAR VIEW	16
REAR VIEW - SECTION THROUGH SHAFTS	18
REAR VIEW - SECTION THROUGH SHAFTS "A"	20
REAR VIEW - SECTION THROUGH SHAFTS "B"	22
ROLL AWAY CLUTCH	24
LEFT END VIEW	27
SECTION THROUGH CHUCK OPENING & CLOSING	28
RIGHT END VIEW	30
SECTION THROUGH TOOL SPINDLE CAM SHAFT	32
SECTION THROUGH HANDWHEEL SHAFT	34
SECTION THROUGH CROSS SLIDES	36
SECTION THROUGH REAR CROSS SLIDE	38
SECTION SHOWING REAR SLIDE & TOOL ARM	40
SECTION THROUGH INDEXING & LOCATING	42
WIRE CASE CARRIER & STOCK LOADING MECHANISM	44
SECTION THROUGH THREADING & TOOL SPINDLE	46
THREADING ATTACHMENT - SECTION THROUGH GEARING	48

TITLE	PAGE NO.
THREADING ATTACHMENT - REVERSING BLOCK	50
THREADING ATTACHMENT - SECTION THROUGH CLUTCHES	52
MOTOR DRIVE	54
SECTION THROUGH DRIVE SHAFT - ENGINEERING DATA	56
SECTION THROUGH DRIVE SHAFT	58
STRAINERS, OIL GUARDS & ELECTRICAL BOX MOUNT	60
BALL CHUCKING	62
HIGH SPEED CLUTCH	64
GEAR LAYOUT	66
TIMING CHART	68
PARTS FOR EXTENDED BED MACHINE	70
FRONT VIEW - EXTENDED BED	71
SECTION THROUGH FRONT CAM SHAFT - EXTENDED BED	72
SECTION THROUGH WORK SPINDLE CARRIER & STATIONARY HEAD - EXTENDED BED	73
REAR VIEW - SECTION THROUGH SHAFTS - EXTENDED BED	74
LEFT END VIEW - EXTENDED BED	75
SECTION THROUGH HANDWHEEL SHAFT - EXTENDED BED	76
WIRE CASE CARRIER & STOCK LOADING MECHANISM - EXTENDED BED	77
SECTION THROUGH WORK SPINDLES - EXTENDED BED	78
SECTION THROUGH DRIVE SHAFT - EXTENDED BED	79
SECTION THROUGH THREADING & TOOL SPINDLE - EXTENDED BED	80
THREADING ATTACHMENT - SECTION THROUGH GEARING - EXTENDED BED	81
5157-2-SA - 4-1/2" LONG FEED ATTACHMENT	82

CAMS

5-C-3	FORM & CUTOFF	1/32
5-C-5	FORM & CUTOFF	1/16
5-C-7	FORM & CUTOFF	3/32
5-C-9	FORM & CUTOFF	1/8
5-C-11	FORM & CUTOFF	5/32
5-C-13	FORM & CUTOFF	3/16
5-C-15	FORM & CUTOFF	7/32
5-C-17	FORM & CUTOFF	1/4
5-C-19	FORM & CUTOFF	9/32
5-C-21	FORM & CUTOFF	5/16
5-C-23	FORM & CUTOFF	11/32
5-C-25	FORM & CUTOFF	3/8
5-C-27	FORM & CUTOFF	13/32
5-C-29	FORM & CUTOFF	7/16

5-C-4	TURNING	1/8
5-C-6	TURNING	1/4
5-C-8	TURNING	3/8
5-C-10	TURNING	1/2
5-C-12	TURNING	5/8
5-C-14	TURNING	3/4
5-C-16	TURNING	7/8
5-C-18	TURNING	1
5-C-20	TURNING	1-1/8
5-C-22	TURNING	1-1/4
5-C-24	TURNING	1-1/2
5-C-26	TURNING	1-3/4
5-C-28	TURNING	2
5-C-30	TURNING	2-1/8

5-C-31	RECESS PUSHER	.100
5-C-32-1	SUPPORT	
5-C-42	LOW POINTING	.031
5-C-44	HIGH POINTING	.031
5-C-45-1	BURRING	

5-C-82	# 1 BRASS THREADING	.238
5-C-84	# 2 BRASS THREADING	.389
5-C-86	# 3 BRASS THREADING	.560
5-C-88	# 4 BRASS THREADING	.675
5-C-90	# 5 BRASS THREADING	1.095
5-C-92	# 6 BRASS THREADING	1.525
5-C-94	# 7 BRASS THREADING	2.000
5-C-80	# 8 BRASS THREADING	2.000

5-C-118	# 1 STEEL THREADING	.118
5-C-98	# 2 STEEL THREADING	.200
5-C-100	# 3 STEEL THREADING	.317
5-C-102	# 4 STEEL THREADING	.452
5-C-104	# 5 STEEL THREADING	.715
5-C-106	# 6 STEEL THREADING	1.140
5-C-108	# 7 STEEL THREADING	1.740
5-C-110	# 8 STEEL THREADING	2.000
5-C-112	# 9 STEEL THREADING	2.000
5-C-114	#10 STEEL THREADING	2.000

5-C-214-1 CHIP CONVEYOR CAM
5-C-214-3 CHIP CONVEYOR CAM 2 LOBE

GEARS

5330-16	SPINDLE CHANGE GEAR	16T.
5330-18	SPINDLE CHANGE GEAR	18T.
5330-20	SPINDLE CHANGE GEAR	20T.
5330-21	SPINDLE CHANGE GEAR	21T.
5330-23	SPINDLE CHANGE GEAR	23T.
948	SPINDLE CHANGE GEAR	24T.
5330-25	SPINDLE CHANGE GEAR	25T.
949	SPINDLE CHANGE GEAR	26T.
5330-27	SPINDLE CHANGE GEAR	27T.
950	SPINDLE CHANGE GEAR	28T.
5330-29	SPINDLE CHANGE GEAR	29T.
951	SPINDLE CHANGE GEAR	30T.
5330-31	SPINDLE CHANGE GEAR	31T.
952	SPINDLE CHANGE GEAR	32T.
5330-33	SPINDLE CHANGE GEAR	33T.
953	SPINDLE CHANGE GEAR	34T.
5330-35	SPINDLE CHANGE GEAR	35T.
954	SPINDLE CHANGE GEAR	36T.
955	SPINDLE CHANGE GEAR	38T.
5330-39	SPINDLE CHANGE GEAR	39T.
956	SPINDLE CHANGE GEAR	40T.
5330-41	SPINDLE CHANGE GEAR	41T.
5330-42	SPINDLE CHANGE GEAR	42T.
5330-44	SPINDLE CHANGE GEAR	44T.
5330-46	SPINDLE CHANGE GEAR	46T.
5330-48	SPINDLE CHANGE GEAR	48T.
5330-49	SPINDLE CHANGE GEAR	49T.
5320-20	FEED CHANGE GEAR	20T.
5320-21	FEED CHANGE GEAR	21T.
5320-23	FEED CHANGE GEAR	23T.
5320-24	FEED CHANGE GEAR	24T.
5320-25	FEED CHANGE GEAR	25T.
5320-26	FEED CHANGE GEAR	26T.
5320-28	FEED CHANGE GEAR	28T.
5320-29	FEED CHANGE GEAR	29T.
5320-30	FEED CHANGE GEAR	30T.
5320-31	FEED CHANGE GEAR	31T.
5320-32	FEED CHANGE GEAR	32T.
5320-34	FEED CHANGE GEAR	34T.
5320-36	FEED CHANGE GEAR	36T.
5320-38	FEED CHANGE GEAR	38T.
5320-39	FEED CHANGE GEAR	39T.
5320-40	FEED CHANGE GEAR	40T.
5320-43	FEED CHANGE GEAR	43T.
5320-44	FEED CHANGE GEAR	44T.
5320-48	FEED CHANGE GEAR	48T.
5320-50	FEED CHANGE GEAR	50T.
5320-52	FEED CHANGE GEAR	52T.
5320-54	FEED CHANGE GEAR	54T.
5320-60	FEED CHANGE GEAR	60T.
5320-64	FEED CHANGE GEAR	64T.
5320-67	FEED CHANGE GEAR	67T.
5320-75	FEED CHANGE GEAR	75T.
5320-86	FEED CHANGE GEAR	86T.
5320-99	FEED CHANGE GEAR	99T.

NOTE: SPINDLE GEARS ARE USED AS BOTH
SPINDLE CHANGE GEARS AND THREADING
CHANGE GEARS.

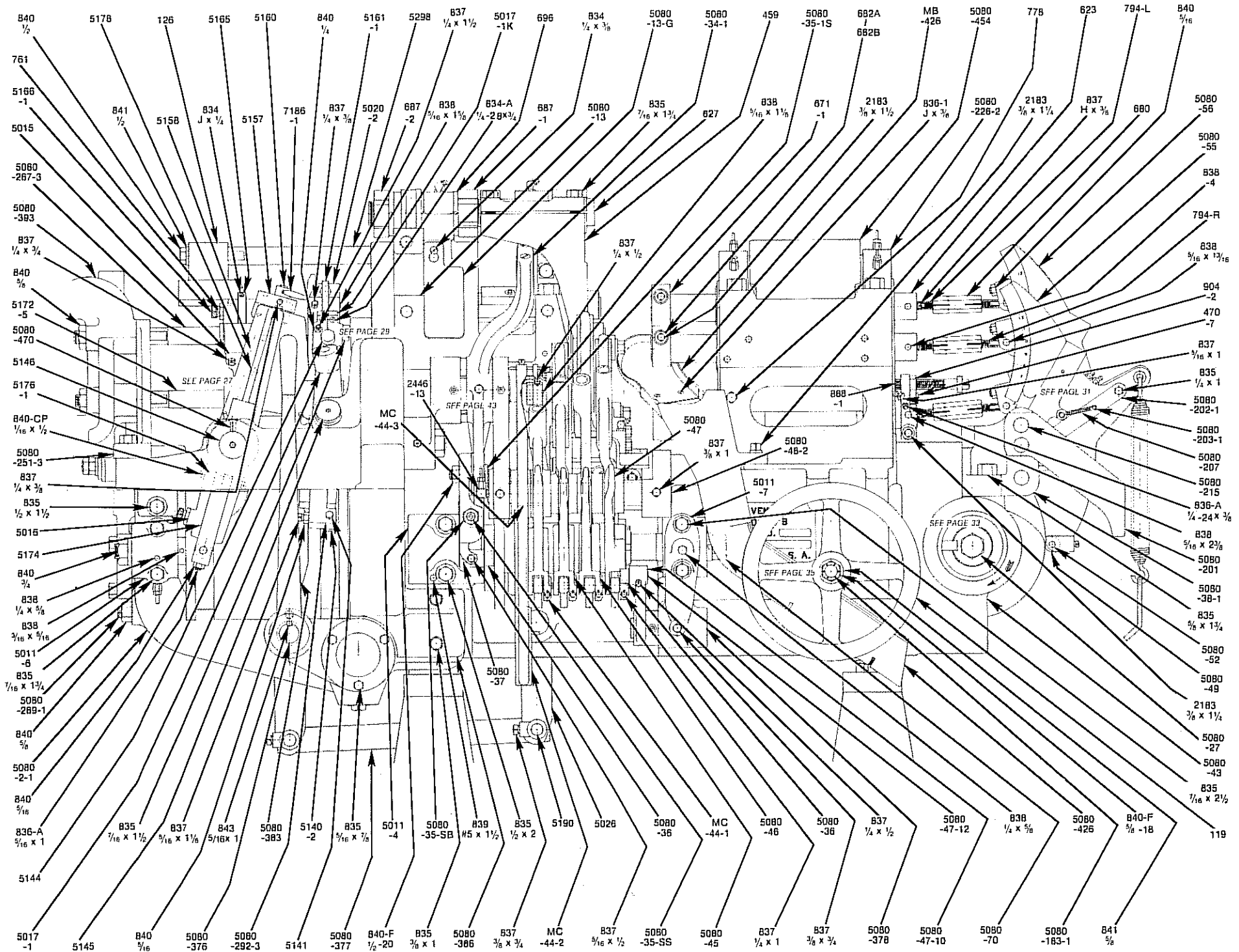
MISCELLANEOUS PARTS

MISCELLANEOUS PARTS	
834	FILLISTER HEAD SCREWS
834-A	ALLEN SOCKET HEAD CAP SCREWS
835	HEXAGON HEAD SCREWS
836-A	ALLEN HEADLESS SET SCREWS
836-1	FLAT HEAD SCREWS
837	SQUARE HEAD SET SCREWS
838	STANDARD PINS
839	STANDARD TAPER PINS
840	HEXAGON NUTS
840-CP	COTTER PINS
840-F	FLEXLOX NUT
841	WASHERS
841-LW	LOCK WASHERS
842	SPRINGS
843	STANDARD KEYS
844	OILERS
922	RIVETS
2183	STYLE "S" COLLAR HEAD SCREWS

FRONT VIEW

119	HANDWHEEL	5080-48-2	CROSS SLIDE CAM LEVER STUD
126	RETAINING CAM	5080-49	CAM LEVER ROLL
459	FRONT TOOL ARM	5080-52	ROLL PIN
470-7	STOCK STOP COLLAR LATCH PIN	5080-55	5th POSITION CAM LEVER
470-11	STOCK STOP COLLAR	5080-56	4th POSITION CAM LEVER
623	TOOL SPINDLE	5080-70	FRONT CAM SHAFT BOLT
627	TOOL ARM STUD	5080-183-1	HANDWHEEL SHAFT
671-1	TOOL CLAMP RING	5080-201	TOOL SPINDLE CAM LEVER SUPPORT BRACKET
680	CAM LEVER LINK NUT	5080-202-1	CAM LEVER STOP
682-A	TOOL CLAMP	5080-203-1	CAM LEVER STOP SPRING HOLDER
682-B	TOOL CLAMP NUT	5080-207	CAM LEVER STOP SPRING
687-1	TOOL ARM STUD NUT - THICK	5080-215	CAM LEVER BLOCK STUD
687-2	TOOL ARM STUD NUT - THIN	5080-226-2	STATIONARY HEAD CAP
696	TOOL ARM STUD WASHER	5080-251-3	SLIDE ROD OUTER SUPPORT
735	CAM LEVER LINK ENDS	5080-267-3	OUTER SUPPORT SLIDE ROD
761	CHUCK & FEED CAM LEVER SPRING SCREW	5080-269-1	CHUCK & FEED CAM BRACKET SCREW
778	STATIONARY HEAD DOWEL PIN	5080-292-3	CHUCK LEVER ROLL THROWOUT
791	CAM LEVER BOLT	5080-294-2	CAM LEVER SPRING
794-L	CAM LEVER LINK - LEFT	5080-376	STARTING LEVER SHAFT
794-R	CAM LEVER LINK - RIGHT	5080-377	STARTING LEVER LINK
844-8	STRAIGHT OILER	5080-378	HIGH SPEED CLUTCH LARGE LEVER FULCRUM
844-9	ANGULAR OILER	5080-383	STARTING SHAFT HAND LEVER
888-1	STOCK STOP SCREW	5080-386	FRONT WORM WHEEL GUARD
904-2	STOCK STOP COLLAR LATCH	5080-393	ROD INSERTING SUPPORT BRACKET
2446-13	ELBOW FITTING	5080-426	WORK CHUTE
5011-4	CAM SUPPORT SHAFT CAP - CENTER	5080-454	STATIONARY HEAD GUARD
5011-6	CAM SUPPORT SHAFT CAP - LEFT	5080-470	CONE POINT SET SCREW
5011-7	CAM SUPPORT SHAFT CAP - RIGHT	5080-500-60-1	OIL GUARD SUPPORT STUD
5015	FEED SLIDE ROLLER GUIDE	5140-2	CAM ROLL
5016	FEED LEVER	5141	CAM ROLL PIN
5017-1	CHUCK OPENING CAM LEVER	5144	CHUCK OPENING CAM LEVER PIN
5017-1K	KEY	5145	CHUCK OPENING CAM LEVER SHAFT
5020-2	CHUCK SLIDE ROLLER OPENING GUIDE	5146	FEED LEVER SHAFT
5026	STARTING LEVER SHAFT	5157	FEED SLIDE GUIDE SCREW BLOCK
5080-2-1	CHUCK & FEED CAM SUPPORT BRACKET	5158	FEED LEVER ADJUSTING BLOCK
5080-13	REVOLVING HEAD CAP	5160	FEED SLIDE GUIDE BLOCK SCREW
5080-13-G	REVOLVING HEAD CAP COVER - FRONT	5161-1	CHUCK SLIDE OPENING GUIDE LATCH
5080-27	TOOL SPINDLE CAM SHAFT BOLT	5165	FEED SLIDE GUIDE LATCH
5080-34-1	LOCATING LEVER	5166-1	FEED SLIDE GUIDE DETENT KNOB
5080-35-1	LOCATING CAM LEVER	5172-5	OUTER SUPPORT SLIDE ROD - SHORT
5080-35-1-S	LOCATING & CLAMPING CAM LEVER SCREW	5174	FEED LEVER ROLL THROWOUT
5080-35-SB	CAM LEVER SCREW BUSHING	5176-1	FEED LEVER THROWOUT PIN
5080-35-SS	CAM LEVER SET SCREW	5178	FEED LEVER BLOCK PIN
5080-36	LOCATING LEVER ROLL	5190	STARTING SHAFT LEVER PIN
5080-37	LOCATING LEVER ROLL PIN	5298	RETAINING CAM STUD
5080-38-1	TOOL SPINDLE CAM LEVER BRACKET	7186-1	FEED SCREW CRANK HANDLE
5080-43	CAM CARRIER BRACKET	MB-1	BASE
5080-45	REAR CROSS SLIDE CAM LEVER	MB-40	TOOL SPINDLE SPRING ANCHOR
5080-46	FRONT TOOL ARM CAM LEVER	MB-426	WORK CHUTE EXTENSION
5080-47	FRONT CROSS SLIDE CAM LEVER	MC-44-1	REAR TOOL ARM CAM LEVER
5080-47-10	FRONT POSITIVE RETURN LEVER	MC-44-2	REAR TOOL ARM CAM LEVER EXTENSION
5080-47-12	ROLL PIN	MC-44-3	REAR TOOL ARM CAM LEVER BUSHING

NOTE: WHEN ORDERING PARTS, ALWAYS SPECIFY SERIAL NUMBER OF MACHINE.



FRONT VIEW

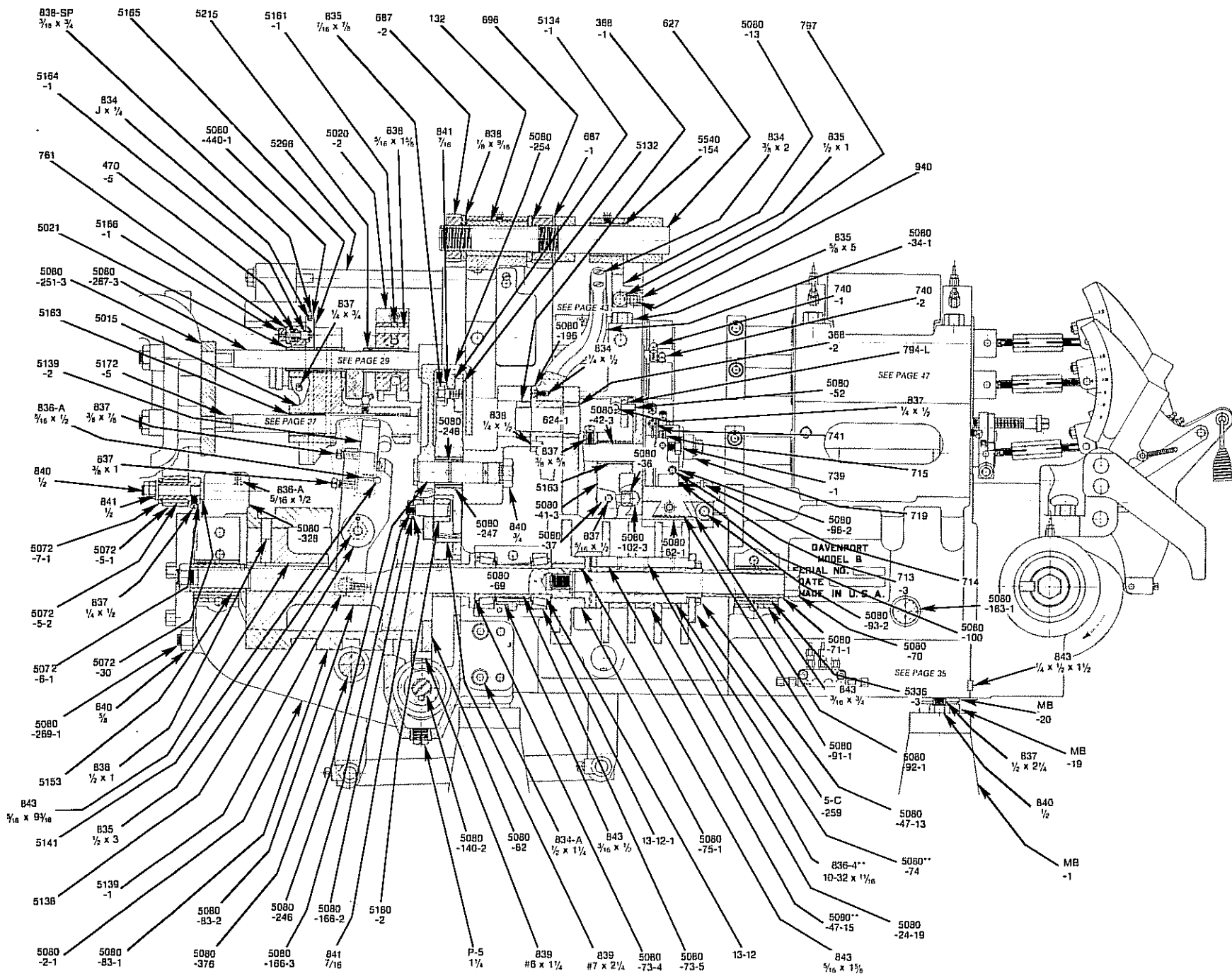
SECTION THROUGH FRONT CAM SHAFT

132	TOOL ARM STUD COLLAR	5080-82	FRONT WORM WHEEL
368-1	LOCKING LEVER STUD BUSHING - SMALL	5080-83-1	CHUCK & FEED CAM
368-2	LOCKING LEVER STUD BUSHING - LARGE	5080-83-2	CHUCK & FEED CAM HUB
470-5	STOCK STOP COLLAR PLUNGER SPRING	5080-91-1	FRONT CROSS SLIDE
624-1	LOCATING LEVER STUD	5080-92-1	FRONT CROSS SLIDE GIB
627	TOOL ARM STUD	5080-93-2	CROSS SLIDE GIB SCREW
687-1	TOOL ARM NUT - THICK	5080-96	FRONT CROSS SLIDE STOP SCREW BLOCK
687-2	TOOL ARM NUT - THIN	5080-98-2	FRONT TOOL POST
696	TOOL ARM STUD WASHER	5080-100	FRONT TOOL POST RISING BLOCK
713-3	CIRCULAR TOOL ADJUSTING WORM - TOOL POST	5080-102-3	REAR CROSS SLIDE ROD
714	TOOL POST ADJUSTING SCREW	5080-140-2	END WORM DRIVE SHAFT
715	TOOL POST ECCENTRIC	* 5080-166-2	CHUCK & FEED CAM ROLL PIN NUT
719	CIRCULAR TOOL CLAMP	* 5080-166-3	CHUCK & FEED CAM ROLL PIN
739-1	CIRCULAR TOOL CLAMP SCREW	5080-183-1	HANDWHEEL SHAFT
740-1	TOOL POST STOP SCREW	5080-196	ECCENTRIC BUSHING - FOR LOCATING LEVER
740-2	TOOL POST STOP SCREW 4th POSITION	5080-246	GENEVA MOTION STAR WHEEL STUD
741	TOOL POST SCREW	5080-247	GENEVA MOTION STAR WHEEL BUSHING
761	CHUCK & FEED CAM LEVER SPRING SCREW	5080-248	GENEVA MOTION STAR WHEEL STUD SLEEVE
794-L	CAM LEVER LINK - LEFT	5080-251-3	SLIDE ROD OUTER SUPPORT
797	TOOL ARM SPRING PLUNGER	5080-254	GENEVA MOTION STAR WHEEL HOUSING
844-9	ANGULAR OILER	5080-267-3	OUTER SUPPORT SLIDE ROD
940	FRONT & REAR TOOL ARM STOP	5080-269-1	CHUCK & FEED CAM BRACKET STUD
5015	FEED SLIDE ROLLER GUIDE	5080-328	REVOLVING HEAD OUTER SUPPORT
5020-2	CHUCK SLIDE ROLLER OPENING GUIDE	5080-376	STARTING LEVER SHAFT
5021	FEED SLIDE GUIDE SQUARE BUSHING	5080-440-1	FEED SLIDE GUIDE LATCH SPRING
5072-5-1	REVOLVING HEAD SUPPORT ROLL RING	5132	GENEVA DISC GEAR
5072-5-2	OUTER SUPPORT ROLL	5134-1	GENEVA MOTION STAR WHEEL
5072-6-1	REVOLVING HEAD SUPPORT ROLL ECCENTRIC	5138	CHUCK CLOSING CAM LEVER SLEEVE NUT
5072-7-1	REVOLVING HEAD SUPPORT ROLL WASHER	5139-1	CHUCK CLOSING LEVER
5072-30	ECCENTRIC ROD	5139-2	CHUCK CLOSING BLOCK
5080-2-1	CHUCK & FEED CAM SUPPORT BRACKET	5141	CAM ROLL PIN
5080-13	REVOLVING HEAD CAP	5153	CAM SHAFT BUSHING - STEEL
5080-24-19	FRONT CAM SPACER	5161-1	CHUCK SLIDE OPENING GUIDE LATCH
5080-34-1	LOCATING LEVER	5163	FEED SLIDE GUIDE BUSHING
5080-36	LOCATING LEVER ROLL	5164-1	FEED SLIDE GUIDE DETENT PLUNGER
5080-37	LOCATING LEVER ROLL PIN	5166-1	FEED SLIDE GUIDE DETENT KNOB
5080-41-3	REAR CROSS SLIDE LEVER	5172-5	OUTER SUPPORT SLIDE ROD - SHORT
5080-42-3	REAR SLIDE LEVER FULCRUM	5180-2	CHUCK & FEED CAM INDEX ROLL
5080-47-13	FRONT CAM CARRIER NUT	5215	CHUCK SLIDE OPENING GUIDE BUSHING
** 5080-47-15	FRONT CAM CARRIER KEY	5298	RETAINING CAM STUD
5080-52	ROLL PIN	5336-3	CAM SHAFT BUSHING - LONG
5080-62-1	SLIDE BASE - FRONT	5540-154	BUSHING
5080-69	FRONT CAM SHAFT - LONG	MB-1	BASE
5080-70	FRONT CAM SHAFT BOLT	MB-19	CONCAVE ALIGNING WASHER
5080-71-1	FRONT CAM SHAFT SLEEVE	MB-20	CONVEX ALIGNING WASHER
5080-73-4	FRONT CAM SHAFT SPACER	P-5 1½	PLUG
5080-73-5	FRONT CAM SHAFT BEARING SPACER	5-C-259	POSITIVE RETURN CAM
** 5080-74	FRONT CAM CARRIER	2523	TIMKEN CUP 2523
5080-75-1	LOCATING CAM	2580	TIMKEN CONE 2580

NOTE: WHEN ORDERING PARTS, ALWAYS SPECIFY SERIAL NUMBER OF MACHINE.

* LEFT HAND THREAD STARTING WITH SERIAL NUMBER 10741.

** NEW STYLE CAM CARRIER KEY WITH 836-4 SCREWS BECOMES STANDARD SERIAL NO. 11318. FOR MACHINES PRIOR TO SERIAL NO. 11318 ORDER CAM CARRIER KEY NO. 5080-47-14.



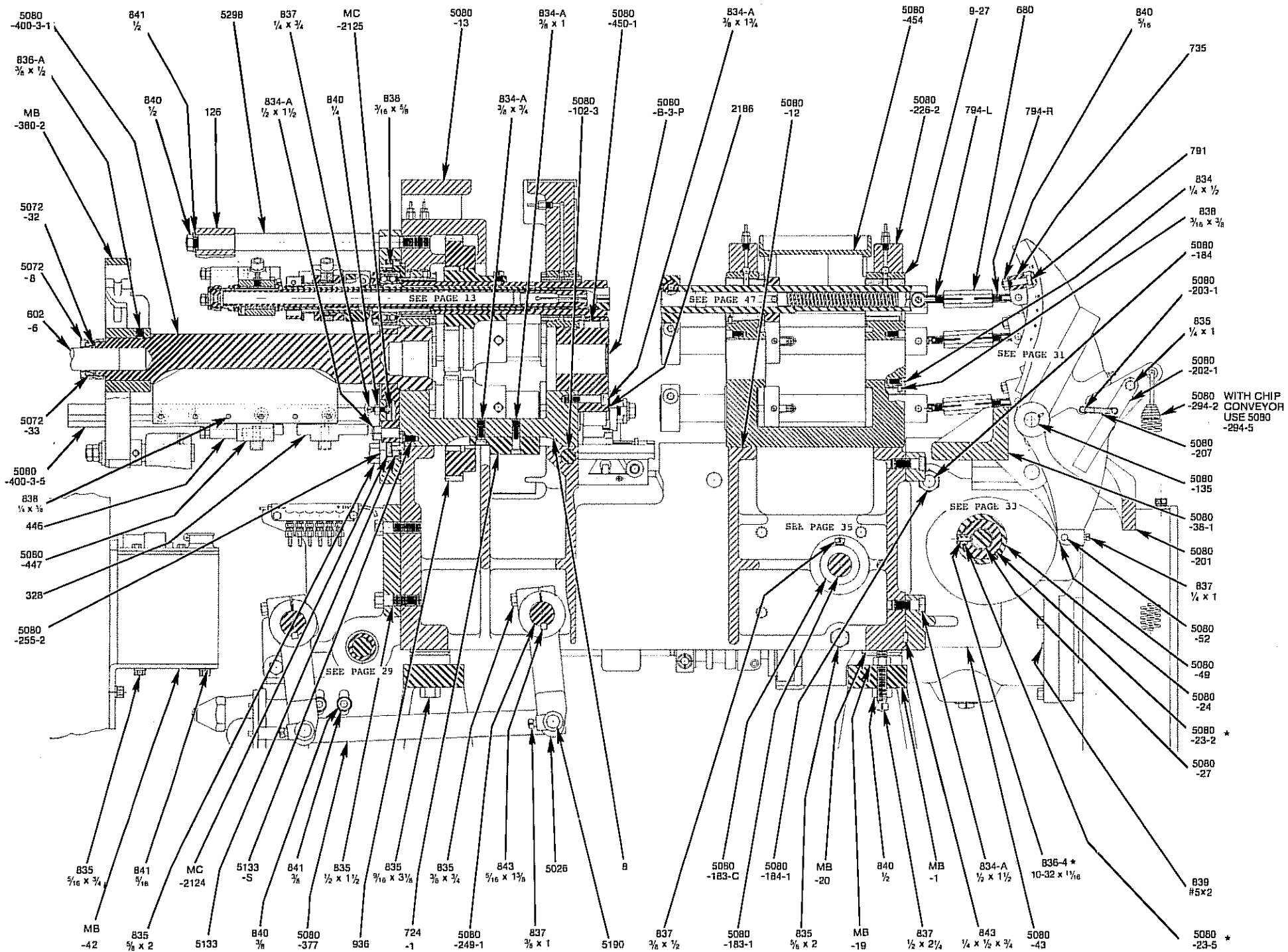
SECTION THROUGH FRONT CAM SHAFT

SECTION THROUGH WORK SPINDLE CARRIER & STATIONARY HEAD

8	REVOLVING HEAD	5080-135	CAM LEVER SHAFT
9-27	STATIONARY HEAD	5080-183-1	HANDWHEEL SHAFT
126	RETAINING CAM	5080-183-C	HANDWHEEL SHAFT COLLAR
328	CHUCK SLIDE	5080-184	HIGH SPEED CLUTCH FORK LEVER STUD
446	FEED SLIDE	5080-184-1	HIGH SPEED CLUTCH STUD NUT
602-6	WIRE CASE CARRIER ROD	5080-201	TOOL SPINDLE CAM LEVER SUPPORT BRACKET
680	CAM LEVER LINK NUT	5080-202-1	CAM LEVER STOP
724-1	REVOLVING HEAD LOCATING BLOCK	5080-203-1	CAM LEVER STOP SPRING HOLDER
735	CAM LEVER LINK END	5080-207	CAM LEVER STOP SPRING
791	CAM LEVER BOLT	5080-226-2	STATIONARY HEAD CAP
794-R	CAM LEVER LINK - RIGHT	5080-249-1	STARTING FORK SHAFT
794-L	CAM LEVER LINK - LEFT	5080-255-2	REVOLVING HEAD THRUST RING
839 #5x2	TAPER PIN	5080-294-2	CAM LEVER SPRING
936	SPINDLE INTERNAL GEAR	5080-377	STARTING LEVER LINK
2186	TOOL POST STOP	5080-400-3-1	LEFT SIDE BRACKET
5026	STARTING LEVER SHAFT	5080-400-3-5	CHUCK & FEED SLIDE GUIDE
5072-8	WIRE CASE CARRIER ROD THRUST NUT	5080-447	FEED TUBE OUTER BEARING
5072-32	SPLIT SLEEVE	5080-450-1	TOOL POST STOP ECCENTRIC
5072-33	COLLAR (TAPERED HOLE)	5080-454	STATIONARY HEAD GUARD
5080-12	BED	5080-B-3-P	WELCH PLUG 1-3/4" DIAMETER
5080-13	REVOLVING HEAD CAP	5133	REVOLVING HEAD GEAR
* 5080-23-2	TOOL SPINDLE CAM CARRIER	5133-S	REVOLVING HEAD GEAR SCREW
* 5080-23-5	TOOL SPINDLE CAM CARRIER KEY	5190	STARTING SHAFT LEVER PIN
5080-24	TOOL SPINDLE CAM SPACER	5298	RETAINING CAM STUD
5080-27	TOOL SPINDLE CAM SHAFT BOLT	MB-1	BASE
5080-38-1	TOOL SPINDLE CAM LEVER BRACKET	MB-19	CONCAVE ALIGNING WASHER
5080-43	CAM CARRIER BRACKET	MB-20	CONVEX ALIGNING WASHER
5080-49	CAM LEVER ROLL	MB-42	BIJUR OILER BRACKET
5080-52	ROLL PIN - REAR TOOL ARM CAM LEVER	MB-380-2	REVOLVING HEAD SUPPORT RING
5080-102-3	REAR CROSS SLIDE ROD	MC-2124	REVOLVING HEAD THRUST ADJUSTING RING
		MC-2125	REVOLVING HEAD THRUST ADJUSTING RING PIN

NOTE: WHEN ORDERING PARTS, ALWAYS SPECIFY SERIAL NUMBER OF MACHINE.

* NEW STYLE CAM CARRIER KEY 5080-23-5 WITH 836-4 SCREWS BECOMES STANDARD LOT NO. 416 SERIAL NO. 11211. FOR MACHINES BEFORE SERIAL NO. 11211 ORDER KEY NO. 5080-23-2K.



SECTION THROUGH WORK SPINDLE CARRIER & STATIONARY HEAD

REGULAR AND OVERSIZE CHUCK WRENCHES

PARTS USED ON REGULAR CHUCK WRENCH
2816-41-SA

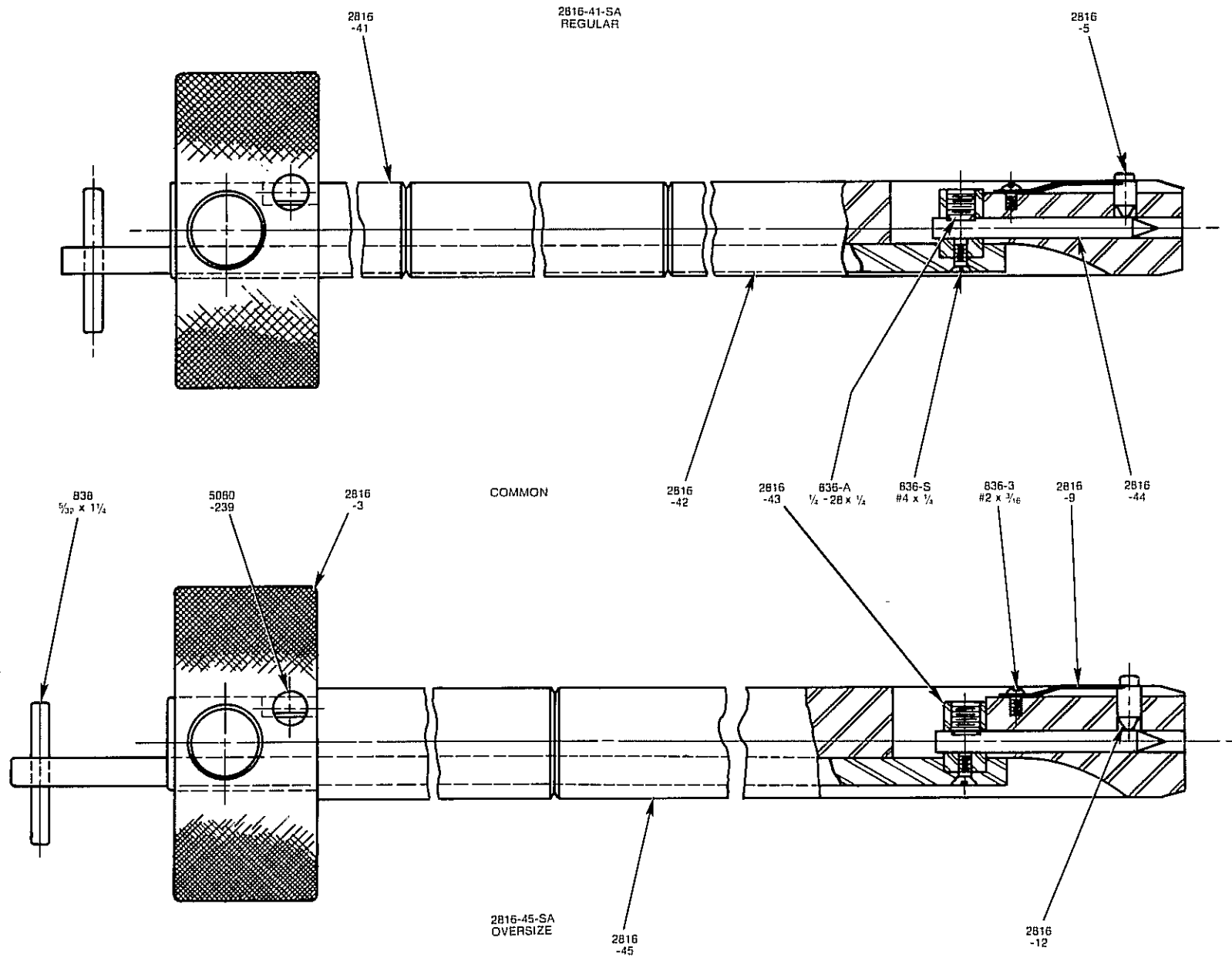
2816-5	DRIVING PIN
2816-41	WRENCH BODY

PARTS USED ON OVERSIZE CHUCK WRENCH
2816-45-SA

2816-12	DRIVING PIN
2816-45	WRENCH BODY

PARTS USED ON BOTH REGULAR AND OVERSIZE CHUCK WRENCHES

2816-3	KNURLED COLLAR
2816-9	SPRING
2816-42	PUSHER
2816-43	PUSHER COLLAR
2816-44	WEDGE PIN
5080-239	PIN

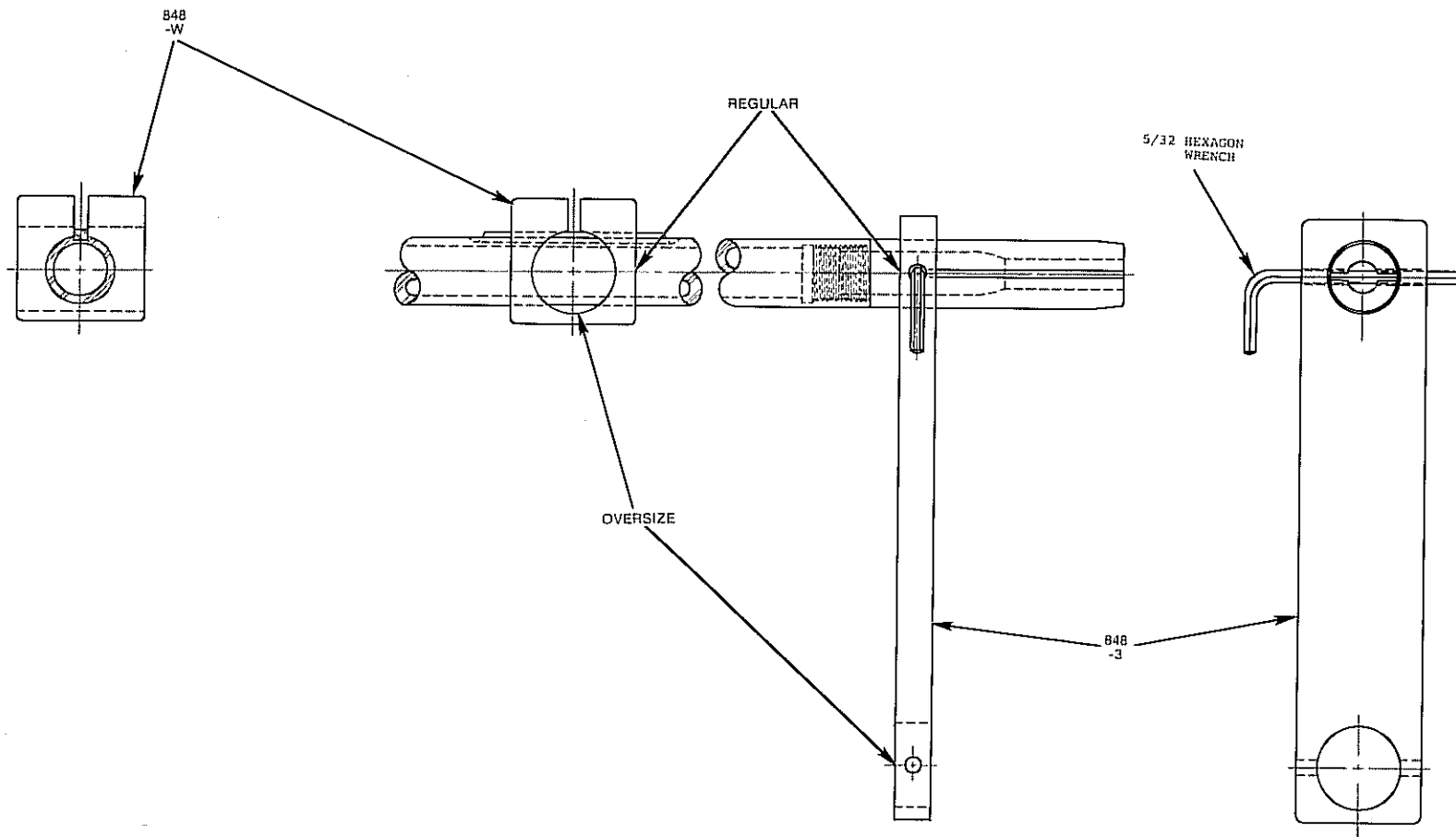


F E E D T U B E W R E N C H

848-3
848-W

F E E D T U B E W R E N C H
F E E D T U B E W R E N C H B L O C K
5/32 H E X A G O N W R E N C H

N O T E : W H E N O R D E R I N G P A R T S , A L W A Y S S P E C I F Y S E R I A L N U M B E R O F M A C H I N E .



SECTION THROUGH WORK SPINDLE - REGULAR & OVERSIZE

PARTS USED ON REGULAR SPINDLE ONLY

326	FEED TUBE OUTER BEARING BUSHING
369	FEED TUBE OUTER BEARING WASHER
642-S	FEED TUBE SLEEVE
642-W	FEED TUBE SLEEVE WASHER
644-2-2	FEED TUBE BUSHING CLAMPING NUT (LEFT HAND)
644-2-5	FEED TUBE NUT (LEFT HAND)
645	FEED FINGER
646	REGULAR CHUCK
2098	OUTER SPINDLE
5080-447	FEED TUBE OUTER BEARING
5080-636-1	FEED TUBE
5080-636-K	FEED TUBE KEY
5080-2220	INNER SPINDLE

PARTS USED ON OVERSIZE SPINDLE ONLY

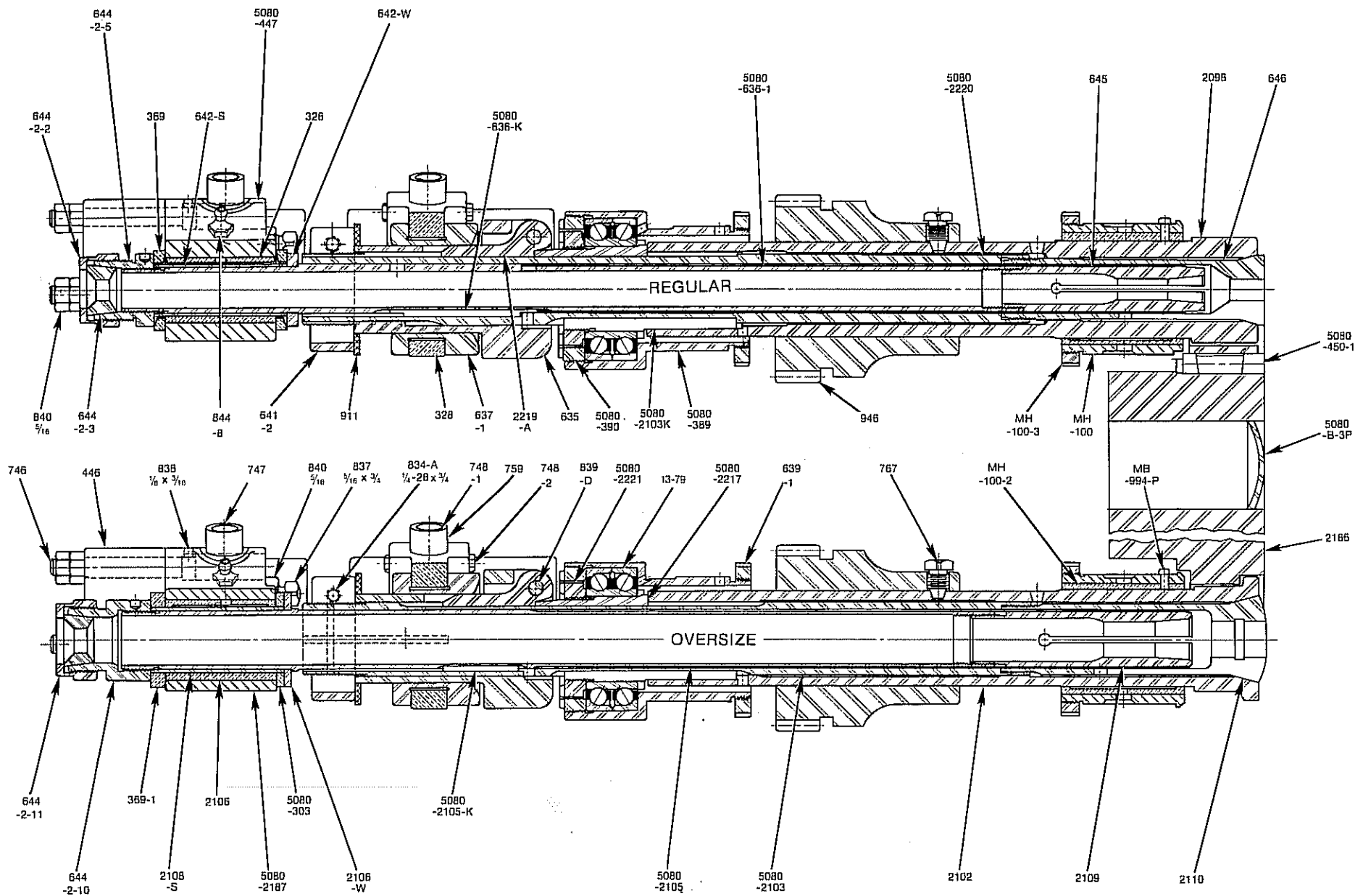
369-1	OVERSIZE FEED TUBE OUTER BEARING WASHER
644-2-10	OVERSIZE FEED TUBE NUT (LEFT HAND)
644-2-11	OVERSIZE FEED TUBE BUSHING CLAMP NUT (LEFT HAND)
2102	OVERSIZE OUTER SPINDLE
2106	OVERSIZE FEED TUBE OUTER BEARING BUSHING
2108-S	OVERSIZE FEED TUBE SLEEVE
2108-W	OVERSIZE FEED TUBE SLEEVE WASHER
2109	OVERSIZE FEED FINGER
2110	OVERSIZE CHUCK
5080-303	OVERSIZE THRUST WASHER
5080-2103	OVERSIZE INNER SPINDLE
5080-2105	OVERSIZE FEED TUBE
5080-2105-K	OVERSIZE FEED TUBE KEY
5080-2187	OVERSIZE FEED TUBE OUTER BEARING

PARTS USED ON BOTH REGULAR & OVERSIZE SPINDLES

328	CHUCK SLIDE
446	FEED SLIDE
635	CHUCK LEVER FULCRUM
637-1	CHUCK LEVER SLEEVE
639-1	SPINDLE BOX NUT
641-2	CHUCK ADJUSTING NUT
644-2-3	FEED TUBE NUT BUSHING
746	FEED TUBE OUTER BEARING BOLT
747	FEED SLIDE ROLL STUD
748-1	CHUCK SLIDE ROLL STUD
748-2	CHUCK SLIDE WEDGE PIN
759	CHUCK & FEED SLIDE ROLLS
767	SPINDLE GEAR SCREW
839-D	TAPER PIN
844-8	STRAIGHT OILER
911	CHUCK LEVER FULCRUM WASHER
946	SPINDLE GEAR
2186	TOOL POST STOP
2219-A	CHUCK LEVER
5080-388	BALL BEARING
5080-389	BALL BEARING RETAINER
5080-390	BALL RETAINER NUT
* 5080-391	BALL BEARING RETAINER BUSHING
5080-450-1	TOOL POST STOP ECCENTRIC
5080-2103-K	INNER SPINDLE KEY
5080-2217	CHUCK LEVER EXTENSION
5080-2221	INNER SPINDLE THRUST NUT (LEFT HAND)
5080-B-3-P	WELCH PLUG 1-3/4" DIAMETER
MB-994-P	FRONT BEARING HOUSING PIN
MH-100	SPINDLE FRONT BEARING HOUSING
MH-100-2	SPINDLE FRONT BOX BUSHING
MH-100-3	SPINDLE FRONT BEARING NUT

NOTE: WHEN ORDERING PARTS, ALWAYS SPECIFY SERIAL NUMBER OF MACHINE.

* NOT USED AFTER SERIAL NUMBER 10899

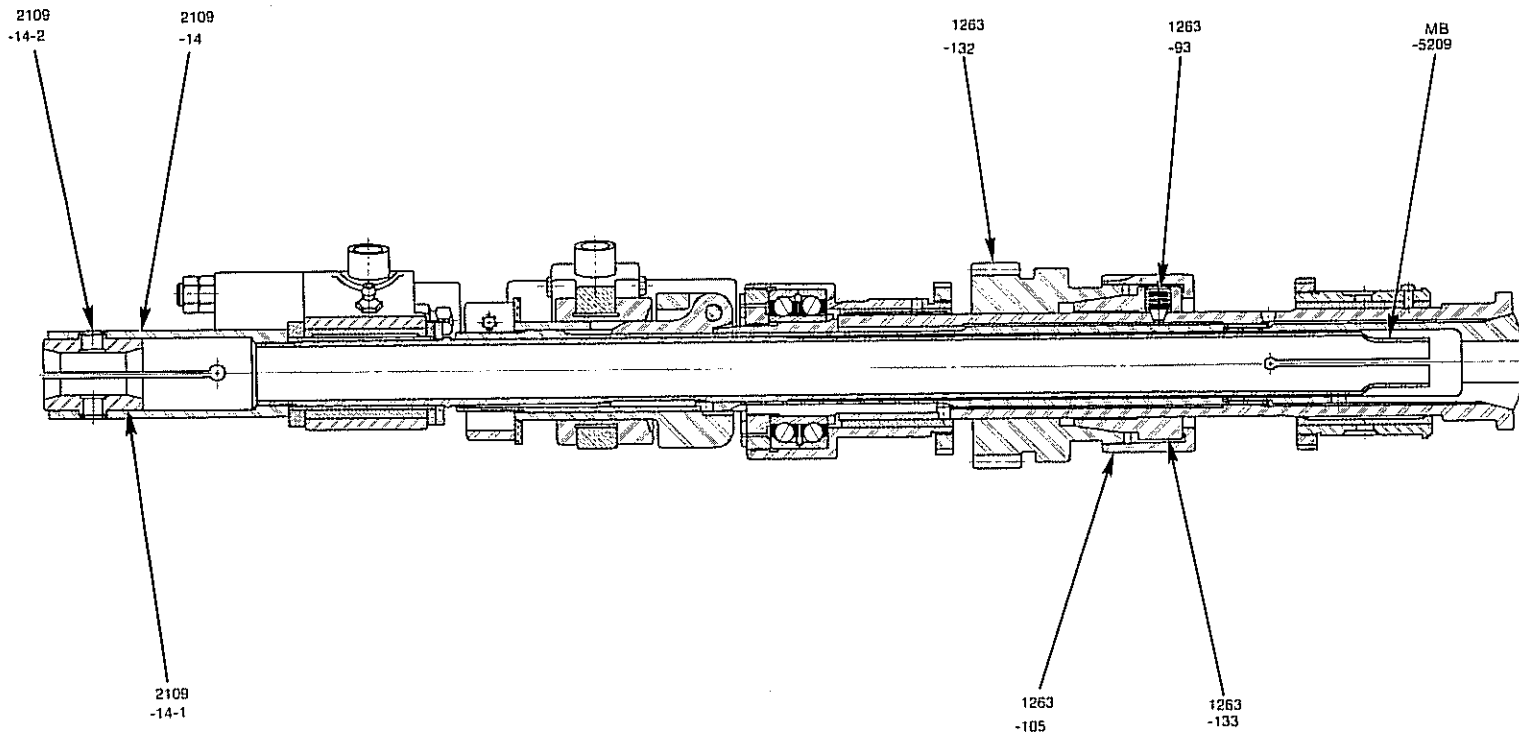


SECTION THROUGH WORK SPINDLES - REGULAR & OVERSIZE

LEFT END FEED FINGER & SPINDLE ALIGNING GEAR

1263-93	CONE POINT SET SCREW
1263-105	SPINDLE GEAR NUT
1263-132	SPINDLE ALIGNING GEAR
1263-133	SPINDLE ALIGNING GEAR HUB
2109-14	LEFT END FEED FINGER
2109-14-1	LEFT END FEED FINGER PAD
2109-14-2	LEFT END FEED FINGER PAD PIN
MB-5209	ONE PIECE FEED TUBE - OVERSIZE

NOTE: WHEN ORDERING PARTS, ALWAYS SPECIFY SERIAL NUMBER OF MACHINE.



LEFT END FEED FINGER & SPINDLE ALIGNING GEAR

REAR VIEW

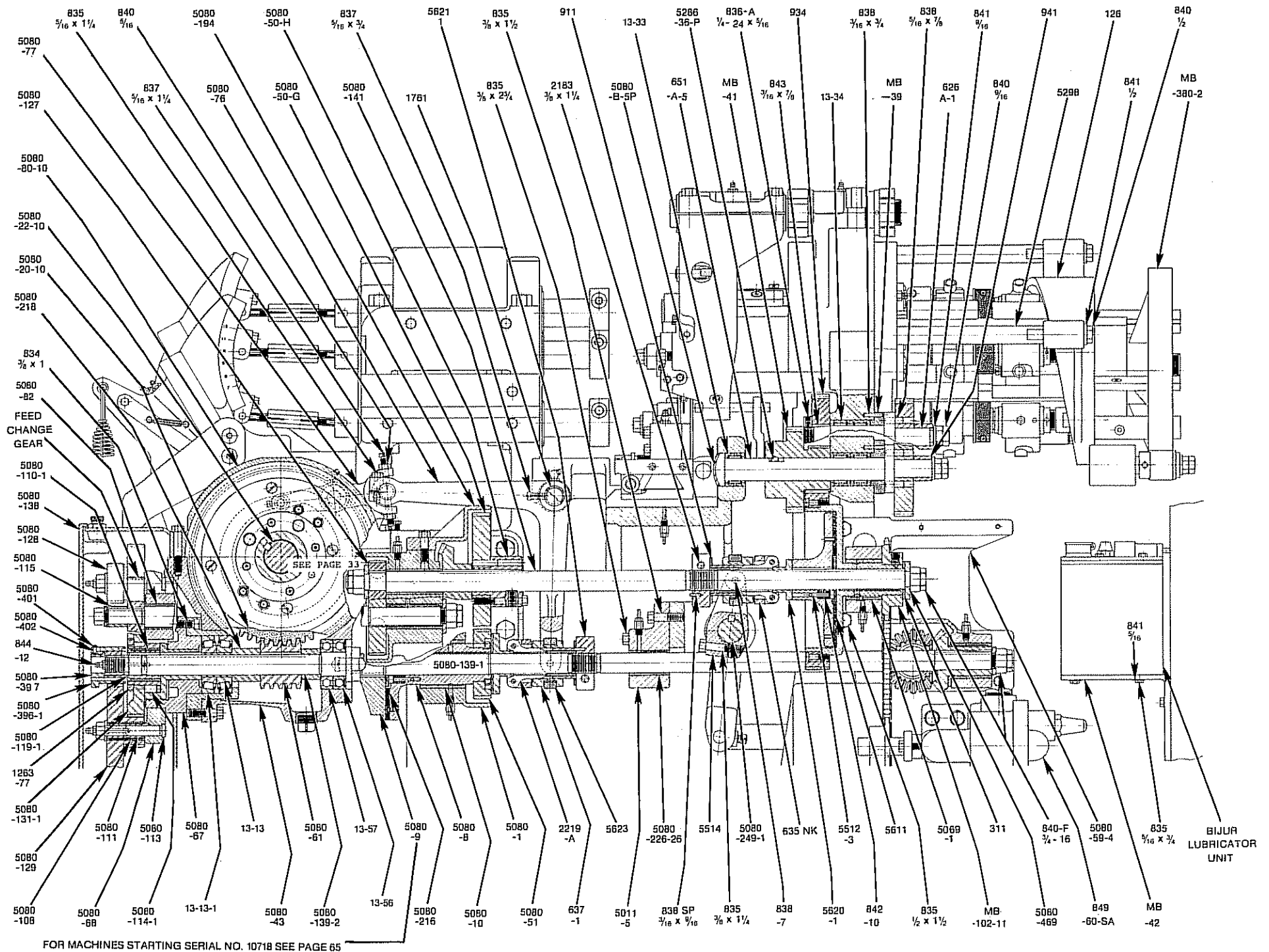
126	RETAINING CAM	5080-93-2	CROSS SLIDE GIB SCREW
623	TOOL SPINDLE	5080-94-1	REAR CROSS SLIDE
627	TOOL ARM STUD	5080-95-1	REAR CROSS SLIDE GIB
671-1	TOOL CLAMP RING	5080-97	REAR CROSS SLIDE STOP SCREW BLOCK
680	CAM LEVER LINK NUT	5080-102-3	REAR CROSS SLIDE ROD
682-A	TOOL CLAMP	5080-103	REAR CROSS SLIDE PIN
682-B	TOOL CLAMP NUT	5080-122	IDLER SHAFT
687-1	TOOL ARM NUT - THICK	5080-134	CAM LEVER SHAFT - LONG
687-2	TOOL ARM NUT - THIN	5080-137	CHANGE GEAR BOX
696	TOOL ARM STUD WASHER	5080-138	CHANGE GEAR BOX COVER
713-2	CIRCULAR TOOL ADJUSTING WORM - REAR TOOL ARM	5080-139-1	REAR WORM DRIVE SHAFT - LONG
714	TOOL POST ADJUSTING SCREW	5080-141	STARTING CLUTCH DRIVE SHAFT
715	TOOL POST ECCENTRIC	5080-187-47	BRAKE DRUM
719	CIRCULAR TOOL CLAMP	5080-187-53	CLEVIS - MALE
735	CAM LEVER LINK END	5080-187-54	LEVER
739-2	CIRCULAR TOOL CLAMP SCREW	5080-187-57	BRAKE SHOE
741	TOOL POST SCREW	5080-187-58	ROLL SCREW
742	TOOL ARM SCREW - REAR	5080-187-59	BELLEVILLE SPRING
760	ROLL	5080-194	REAR GEAR GUARD
761	CHUCK & FEED CAM LEVER SPRING SCREW	5080-201	TOOL SPINDLE CAM LEVER SUPPORT BRACKET
791	CAM LEVER BOLT	5080-202-1	CAM LEVER STOP
794-L	CAM LEVER LINK - LEFT	5080-203-1	CAM LEVER STOP SPRING HOLDER
794-R	CAM LEVER LINK - RIGHT	5080-207	CAM LEVER STOP SPRING
849-26	DRIVER GEAR SHAFT	5080-215	CAM LEVER BLOCK STUD
849-27	DRIVEN GEAR SHAFT	5080-226-2	STATIONARY HEAD CAP
849-28	DRIVER GEAR	5080-249-1	STARTING FORK SHAFT
849-29	DRIVEN GEAR	5080-294-2	CAM LEVER SPRING
849-30	PACKING FLANGE	5080-345	CAM SHAFT OUTER SUPPORT BRACKET
849-45	MOGUL PACKING 1/8x24"	5080-378	HIGH SPEED CLUTCH LARGE LEVER FULCRUM
849-49	FACE PLATE GASKET	5080-383-W	STARTING SHAFT HAND LEVER (REAR)
849-52	RELIEF SPRING BLANK	5080-405	END WORM SHAFT WASHER
849-53	VALVE BODY	5080-454	STATIONARY HEAD GUARD
849-55	SCREW	5080-472	OIL DISTRIBUTOR SUPPORT
849-56	RELIEF VALVE SPRING	5080-500-60-1	OIL GUARD SUPPORT STUD
849-57	RELIEF VALVE GASKET	5080-500-66	COLLAR
849-58	RED FIBER WASHER	5166-1	FEED SLIDE GUIDE DETENT KNOB
849-60	PUMP BODY	5298	RETAINING CAM STUD
849-61	PUMP FACE PLATE	5621-1	DRIVING CLUTCH ADJUSTING NUT
922	RIVET 1/4x1	MB-42	BIJUR OILER BRACKET
5080-1	HIGH SPEED CLUTCH	MB-380-2	REVOLVING HEAD SUPPORT RING
5080-13	REVOLVING HEAD CAP	MB-387-1	UPPER REAR GUARD
5080-43	CAM CARRIER BRACKET	MB-387-2	LOWER REAR GUARD
5080-50-H	QUICK INDEX DRIVE GEAR HUB	MB-387-3	REMOVABLE GUARD
5080-63-1	SLIDE BASE - REAR	MD-387-4	REMOVABLE GUARD
5080-64	REAR TOOL ARM	MB-387-5	REMOVABLE GUARD
5080-65-2	REAR TOOL ARM CONNECTING ROD	P-5	PLUG 1-1/4
5080-66	REAR TOOL ARM CONNECTING ROD PIN	P-41-2	OIL DISTRIBUTOR
5080-76	HIGH SPEED CLUTCH LARGE LEVER	P-41-4	KANT LEAK COCK
5080-80-10	CAM CARRIER BRACKET CAP	P-41-5	FLARE NUT 3/8
			1-1/16 DIAMETER STEEL BALLS

NOTE: WHEN ORDERING PARTS, ALWAYS SPECIFY SERIAL NUMBER OF MACHINE.

REAR VIEW - SECTION THROUGH SHAFTS

117T	PUMP SPROCKET - SMALL	5080-131	CLUTCH BODY
126	RETAINING CAM	5080-131-1	CLUTCH BODY GEAR
311	DRIVING CLUTCH SHAFT THRUST WASHER	5080-131-6	ROLLER CAGE
626-A-1	SPINDLE CHANGE GEAR STUD	5080-136-2	DRIVING CLUTCH BRACKET GEAR
635-NK	CHUCK LEVER FULCRUM	5080-138	CHANGE GEAR BOX COVER
637-1	CHUCK LEVER SLEEVE	5080-139-1	REAR WORM DRIVE SHAFT - LONG
651-A-5	DRIVE SHAFT	5080-139-2	REAR WORM DRIVE SHAFT - SHORT
839-D	#4x1½ TAPER PIN (EXTRA MACHINING)	5080-141	STARTING CLUTCH DRIVE SHAFT
842-10	STARTING CLUTCH PLUNGER SPRING	5080-167	DRIVING CLUTCH SLEEVE
849-9	OIL PUMP CHAIN 1/2" PITCH X 27" LONG	5080-168	QUICK INDEX GEAR NUT
849-60-SA	PUMP (ASSEMBLED)	5080-194	REAR GEAR GUARD
911	CHUCK LEVER FULCRUM WASHER	5080-216	HIGH SPEED CLUTCH BODY LEATHER DISC
934	SPINDLE INTERNAL GEAR PINION	5080-217	WORM SHAFT THRUST BEARING RETAINER
941	SPINDLE CHANGE GEAR FILL COLLAR	5080-218	WORM SHAFT THRUST BEARING SPACER
945	SPINDLE CHANGE GEAR STUD NUT	5080-219	TOOL SPINDLE WORM SPACER
1263-77	CHECK NUT	5080-222	REAR WORM DRIVE SHAFT THRUST WASHER
1761	HIGH SPEED CLUTCH LEVER BUSHING	5080-223	REAR WORM DRIVE SHAFT GEAR SPACER
2219-A	CHUCK LEVER	5080-226-26	BUSHING (USED IN 5011-5)
5011-5	REAR WORM SHAFT BEARING	5080-227-4	DRIVING CLUTCH GEAR HUB
5069-1	CLUTCH BRACKET BUSHING	5080-227-5	DRIVING CLUTCH GEAR RING
5080-1	HIGH SPEED CLUTCH BRACKET	5080-249-1	STARTING FORK SHAFT
5080-2-1	CHUCK & FEED CAM SUPPORT BRACKET	5080-378	HIGH SPEED CLUTCH LARGE LEVER FULCRUM
5080-8	CLUTCH BODY - LONG	5080-396-1	REVERSE CLUTCH
5080-9	CLUTCH BODY - SHORT	5080-397	SHORT REAR WORM DRIVE SHAFT EXTENSION
5080-10	HIGH SPEED CLUTCH BRACKET BUSHING - LARGE	5080-401	REVERSE CLUTCH DETENT SPRING
5080-20-10	REAR WORM WHEEL	5080-402	REVERSE CLUTCH DETENT
5080-22-10	TOOL SPINDLE CAM SHAFT	5080-405	END WORM SHAFT WASHER
5080-50-G	QUICK INDEX DRIVE GEAR	5080-469	STARTING CLUTCH DRIVE SHAFT WASHER
5080-50-H	QUICK INDEX DRIVE GEAR HUB	5080-470	CONE POINT SCREW
5080-51	QUICK INDEX DRIVEN GEAR	5080-607	HANDWHEEL SHAFT LARGE BEVEL GEAR
5080-59-4	DRIVING CLUTCH BRACKET	5080-B-5-P	WELCH PLUG 1-5/8" DIAMETER
5080-60-1	DRIVING CLUTCH BRACKET ARM	5191-4	STARTING FORK SHAFT KEY
5080-61	WORM	5286-36-P	DRIVE SHAFT SPROCKET PIN
5080-67	FEED GEAR ARM SUPPORT	5298	RETAINING CAM STUD
5080-68	FEED CHANGE GEAR ARM	5512-1	DRIVING CLUTCH BODY
5080-76	HIGH SPEED CLUTCH LARGE LEVER	5512-1R	CLUTCH RIVET
5080-77	HIGH SPEED CLUTCH FORK LEVER	5512-2	DRIVING CLUTCH BODY PLUNGER WASHER
5080-80-10	CAM CARRIER BRACKET CAP	5512-3	DRIVING CLUTCH BODY WASHER PLUNGER
5080-87	HIGH SPEED CLUTCH BRACKET SHORT BUSHING	5514	STARTING SHAFT FORK
5080-88	HIGH SPEED CLUTCH BRACKET SLEEVE	5540-82	BEVEL GEAR SHAFT BUSHING
5080-105	DRIVING CLUTCH WASHER	5611	DRIVING CLUTCH FRICTION DISC
5080-106	DRIVING CLUTCH BRACKET ARM BUSHING	5620-1	DRIVING CLUTCH SLEEVE
5080-108	IDLER GEAR SMALL BUSHING	5622	STARTING SHAFT SLEEVE
5080-110-1	DRIVING GEAR BUSHING	5623	STARTING SHAFT FORK SHOE
5080-111	IDLER GEAR STUD SMALL SPACER	MB-39	THRUST PLATE
5080-113	IDLER GEAR STUD	MB-41	COMPOUND DRIVE GEAR
5080-114-1	ROLL CLUTCH ROLL	MB-42	BIJUR OILER BRACKET
5080-115	CHANGE GEAR SPACER	MB-102-11	PUMP SPROCKET LARGE
5080-117	CONNECTING PIN (HIGH SPEED CLUTCH LEVER)	MB-380-2	REVOLVING HEAD SUPPORT RING
5080-119-1	WORM SHAFT GEAR SPACER	13-33	ROLLER BEARING
5080-122	IDLER SHAFT	13-34	ROLLER BEARING
5080-126	IDLER SHAFT DRIVEN GEAR	13-57	BALL BEARING
5080-127	IDLER SHAFT DRIVING GEAR	13-56	BALL BEARING SHIELD
5080-128	UPPER IDLER GEAR	P-5	PLUG 1-1/4"
5080-129	LOWER IDLER GEAR	13-13	TIMKEN CONE 26118
5080-130	ROLL CLUTCH SLEEVE	13-13-1	TIMKEN CUP 26283
		5621-1	ADJUSTING NUT

NOTE: WHEN ORDERING PARTS, ALWAYS SPECIFY SERIAL NUMBER OF MACHINE.

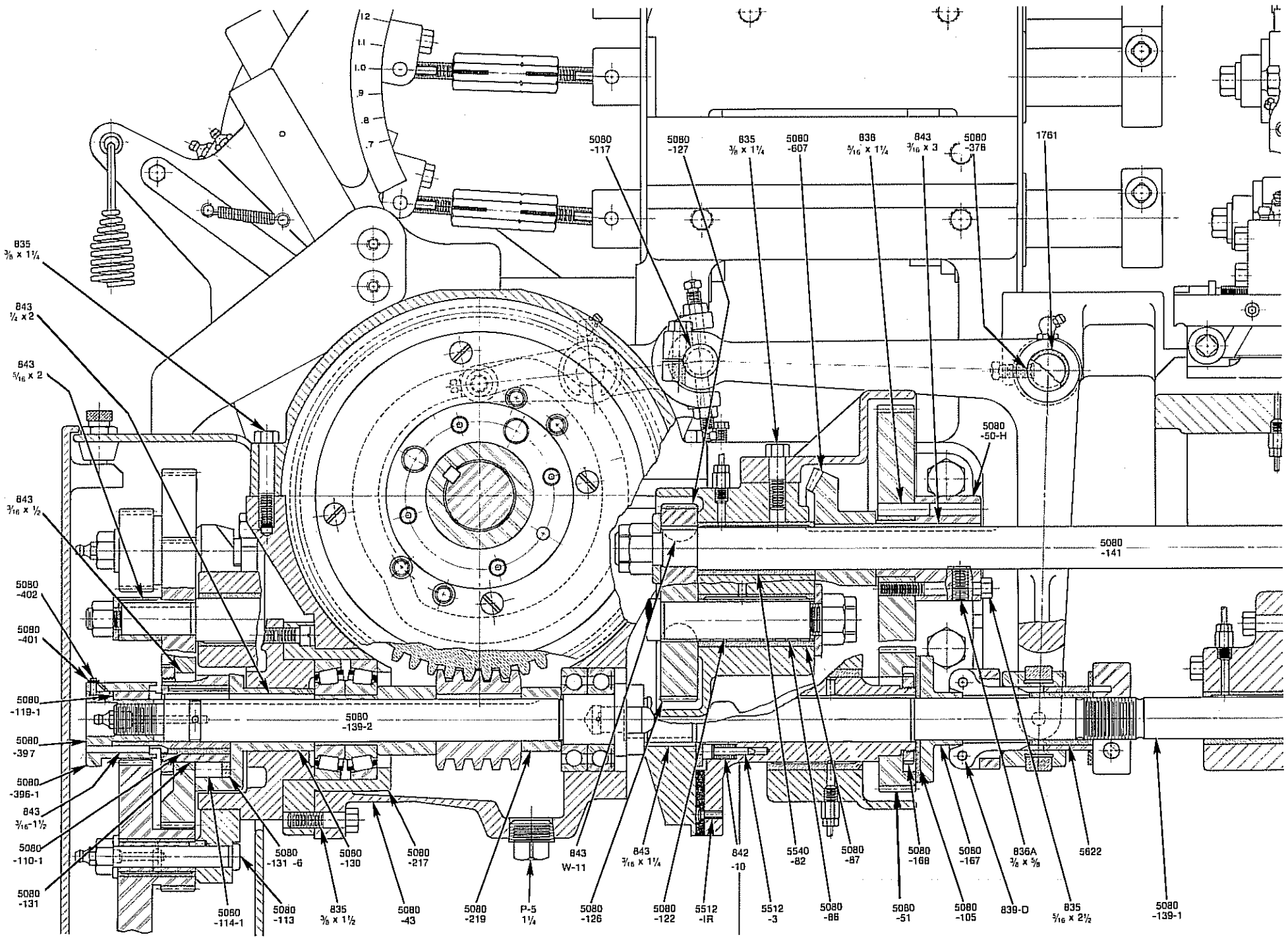


REAR VIEW - SECTION THROUGH SHAFTS

REAR VIEW - SECTION THROUGH SHAFTS "A"

839-D	#4 x 1-1/4 TAPER PIN (EXTRA MACHINING)
842-10	STARTING CLUTCH PLUNGER SPRING
843-W-11	KEY
1761	HIGH SPEED CLUTCH LEVER BUSHING
5080-2-1	CHUCK AND FEED CAM SUPPORT BRACKET
5080-50-H	QUICK INDEX DRIVE GEAR HUB
5080-51	QUICK INDEX DRIVEN GEAR
5080-87	HIGH SPEED CLUTCH BRACKET SHORT BUSHING
5080-88	HIGH SPEED CLUTCH BRACKET SLEEVE
5080-105	DRIVING CLUTCH WASHER
5080-110-1	DRIVING GEAR BUSHING
5080-113	IDLER GEAR STUD
5080-114-1	ROLL CLUTCH ROLL
5080-117	CONNECTING PIN (HIGH SPEED CLUTCH LEVER)
5080-119-1	WORM SHAFT GEAR SPACER
5080-122	IDLER SHAFT
5080-126	IDLER SHAFT DRIVEN GEAR
5080-127	IDLER SHAFT DRIVING GEAR
5080-130	ROLL CLUTCH SLEEVE
5080-131	CLUTCH BODY
5080-131-6	ROLLER CAGE
5080-139-1	REAR WORM DRIVE SHAFT - LONG
5080-139-2	REAR WORM DRIVE SHAFT - SHORT
5080-141	STARTING CLUTCH DRIVE SHAFT
5080-167	DRIVING CLUTCH SLEEVE
5080-168	QUICK INDEX GEAR NUT
5080-217	WORM SHAFT THRUST BEARING RETAINER
5080-219	TOOL SPINDLE WORM SPACER
5080-378	HIGH SPEED CLUTCH LARGE LEVER FULCRUM
5080-396-1	REVERSE CLUTCH
5080-397	SHORT REAR WORM DRIVE SHAFT EXTENSION
5080-401	REVERSE CLUTCH DETENT SPRING
5080-402	REVERSE CLUTCH DETENT
5080-607	HANDWHEEL SHAFT LARGE BEVEL GEAR
5512-1R	CLUTCH RIVET
5512-3	DRIVING CLUTCH BODY WASHER PLUNGER
5540-82	BEVEL GEAR SHAFT BUSHING
5622	STARTING SHAFT SLEEVE
P-5	PLUG 1-1/4

NOTE: WHEN ORDERING PARTS, ALWAYS SPECIFY SERIAL NUMBER OF MACHINE.

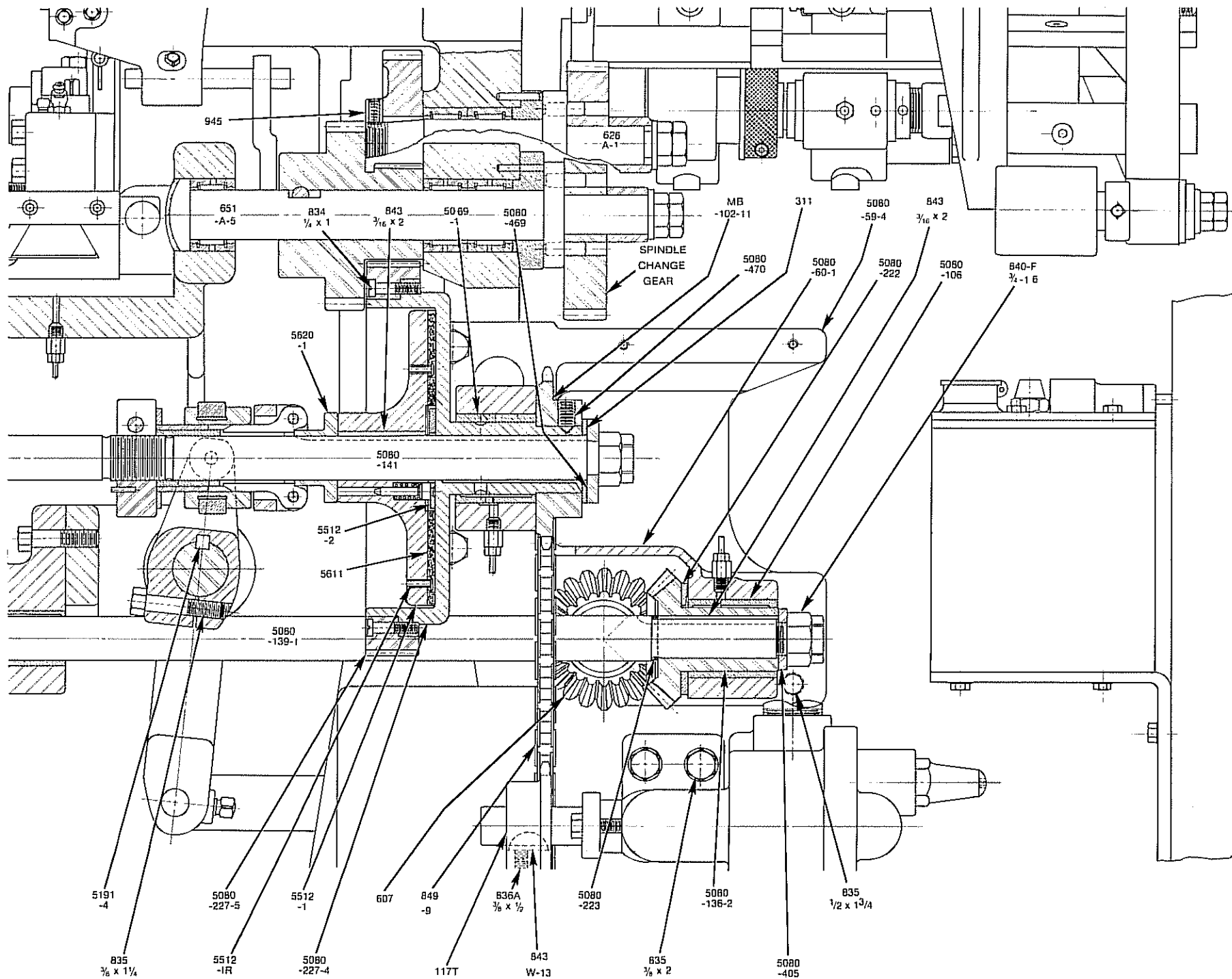


REAR VIEW - SECTION THROUGH SHAFTS "A"

REAR VIEW - SECTION THROUGH SHAFTS "B"

117-T	PUMP SPROCKET - SMALL
311	DRIVING CLUTCH SHAFT THRUST WASHER
607	BEVEL GEAR
626-A-1	SPINDLE CHANGE GEAR STUD
651-A-5	DRIVE SHAFT
843-W-13	KEY
849-9	OIL PUMP CHAIN 1/2 PITCH x 27" LONG
945	SPINDLE CHANGE GEAR STUD NUT
5069-1	CLUTCH BRACKET BUSHING
5080-59-4	DRIVING CLUTCH BRACKET
5080-60-1	DRIVING CLUTCH BRACKET ARM
5080-106	DRIVING CLUTCH BRACKET ARM BUSHING
5080-136-2	DRIVING CLUTCH BRACKET GEAR
5080-139-1	REAR WORM DRIVE SHAFT - LONG
5080-141	STARTING CLUTCH DRIVE SHAFT
5080-222	REAR WORM DRIVE SHAFT THRUST WASHER
5080-223	REAR WORM DRIVE SHAFT GEAR SPACER
5080-227-4	DRIVING CLUTCH GEAR HUB
5080-227-5	DRIVING CLUTCH GEAR RING
5080-405	END WORM SHAFT WASHER
5080-469	STARTING CLUTCH DRIVE SHAFT WASHER
5080-470	CONE POINT SCREW
5191-4	STARTING FORK SHAFT KEY
5512-1	DRIVING CLUTCH BODY
5512-1R	CLUTCH RIVET
5512-2	DRIVING CLUTCH BODY PLUNGER WASHER
5611	DRIVING CLUTCH FRICTION DISC
5620-1	DRIVING CLUTCH SLEEVE
MB-102-11	PUMP SPROCKET LARGE

NOTE: WHEN ORDERING PARTS, ALWAYS SPECIFY SERIAL NUMBER OF MACHINE.

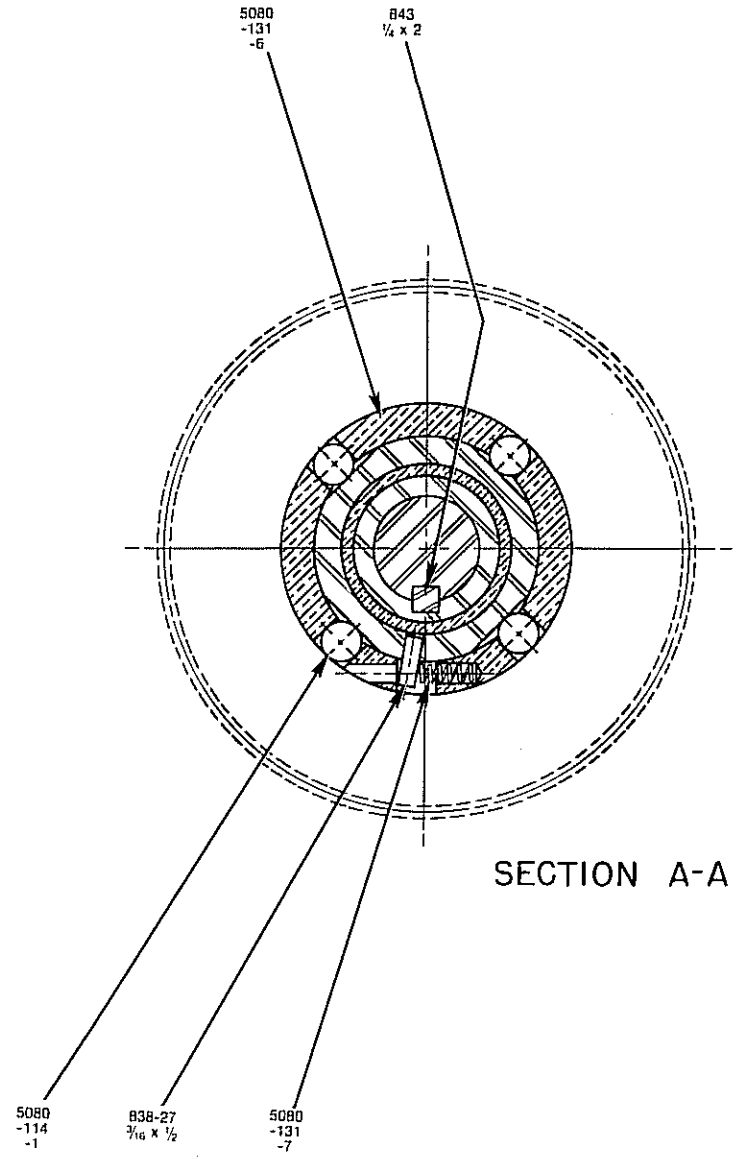
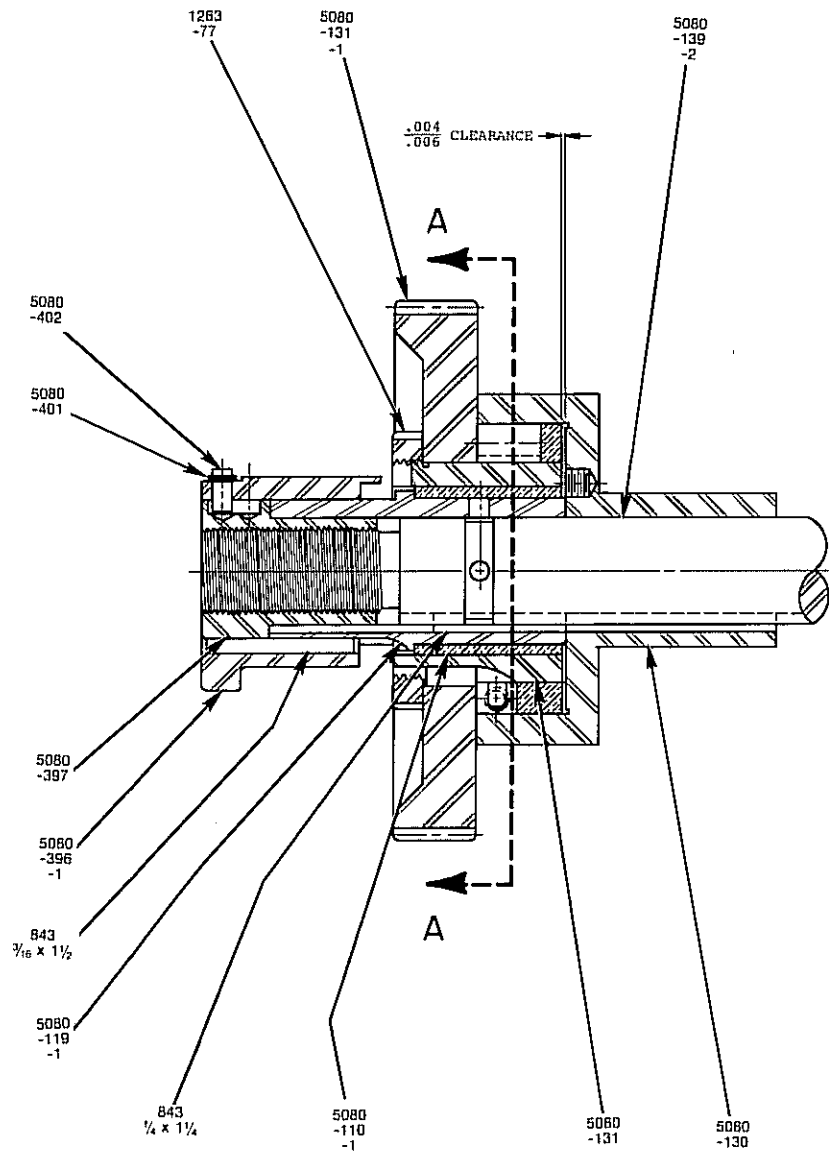


REAR VIEW - SECTION THROUGH SHAFTS "B"

ROLL AWAY CLUTCH

1263-77	CHECK NUT
5080-110-1	DRIVING GEAR BUSHING
5080-114-1	ROLL CLUTCH ROLL
5080-119-1	WARM SHAFT GEAR SPACER
5080-130	ROLL CLUTCH SLEEVE
5080-131	CLUTCH BODY
5080-131-1	CLUTCH BODY GEAR
5080-131-6	ROLLER CAGE
5080-131-7	ROLLER CAGE SPRING
5080-139-2	REAR WORM DRIVE SHAFT - SHORT
5080-396-1	REVERSE CLUTCH
5080-397	SHORT REAR WORM DRIVE SHAFT EXTENSION
5080-401	REVERSE CLUTCH DETENT SPRING
5080-402	REVERSE CLUTCH DETENT

NOTE: WHEN ORDERING PARTS, ALWAYS SPECIFY SERIAL NUMBER OF MACHINE.

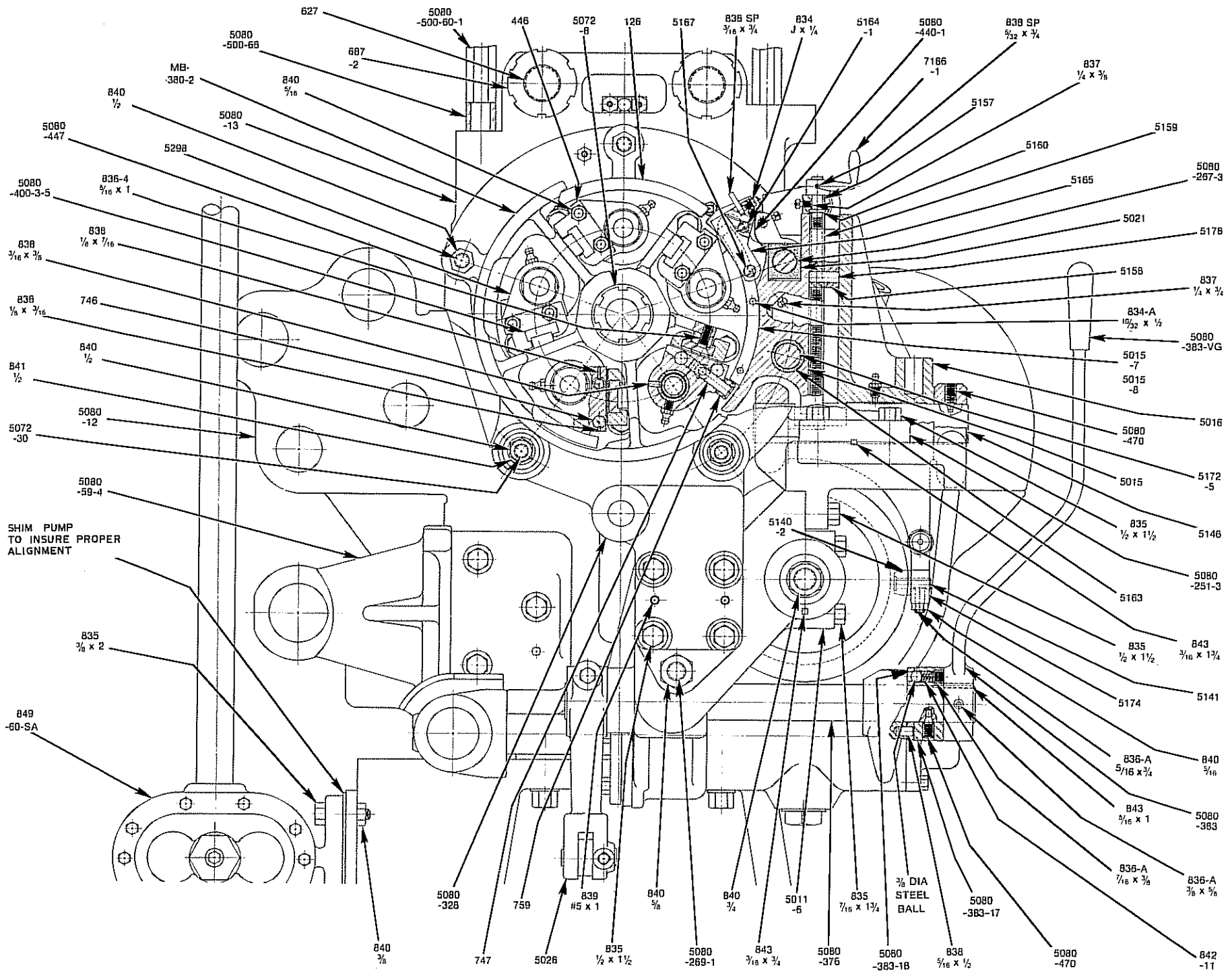


LEFT END VIEW

126	RETAINING CAM	5080-383-17	BALL RETAINING COLLAR
446	FEED SLIDE	5080-383-18	BALL DETENT PLATE
627	TOOL ARM STUD	5080-383-VG	STARTING SHAFT HAND LEVER VINYL GRIP
687-2	TOOL ARM NUT - THIN	5080-400-3-5	CHUCK & FEED SLIDE GUIDE
746	FEED TUBE OUTER BEARING BOLT	5080-440-1	FEED SLIDE GUIDE LATCH SPRING
747	FEED SLIDE ROLL STUD	5080-447	FEED TUBE OUTER BEARING
759	CHUCK & FEED SLIDE ROLL	5080-470	CONE POINT SET SCREW
849-60-SA	PUMP (ASSEMBLED)	5080-500-60-1	OIL GUARD SUPPORT STUD
5011-6	CAM SUPPORT SHAFT CAP - LEFT	5080-500-66	COLLAR
5015	FEED SLIDE ROLLER GUIDE	5140-2	CAM ROLL
5015-7	FEED SLIDE GUIDE PLATE - LEFT	5141	CAM ROLL PIN
5015-8	FEED SLIDE GUIDE PLATE - RIGHT	5146	FEED LEVER SHAFT
5016	FEED LEVER	5157	FEED SLIDE GUIDE SCREW BLOCK
5021	FEED SLIDE GUIDE SQUARE BUSHING	5158	FEED LEVER ADJUSTING BLOCK
5026	STARTING SHAFT LEVER	5159	FEED SLIDE GUIDE ADJUSTING BLOCK
5072-8	WIRE CASE CARRIER ROD THRUST NUT	5160	FEED SLIDE GUIDE BLOCK SCREW
5072-30	ECCENTRIC ROD	5163	FEED SLIDE GUIDE BUSHING
5080-12	BED	5164-1	FEED SLIDE GUIDE DETENT PLUNGER
5080-13	REVOLVING HEAD CAP	5165	FEED SLIDE GUIDE LATCH
5080-59-4	DRIVING CLUTCH BRACKET	5167	FEED SLIDE GUIDE LATCH PIN
5080-251-3	SLIDE ROD OUTER SUPPORT	5172-5	OUTER SUPPORT SLIDE ROD - SHORT
5080-267-3	OUTER SUPPORT SLIDE ROD	5174	FEED LEVER ROLL THROWOUT
5080-269-1	CHUCK & FEED CAM BRACKET STUD	5178	FEED LEVER BLOCK PIN
5080-328	REVOLVING HEAD OUTER SUPPORT	5298	RETAINING CAM STUD
5080-376	STARTING LEVER SHAFT	7186-1	FEED SCREW CRANK HANDLE
5080-383	STARTING SHAFT HAND LEVER	MB-380-2	REVOLVING HEAD SUPPORT RING
			3/8 DIAMETER STEEL BALL

NOTE: WHEN ORDERING PARTS, ALWAYS SPECIFY SERIAL NUMBER OF MACHINE.

NEW STYLE FEED LEVER (5015) AND FEED PLATES 5015-7 & 5015-8 WITH 834-A
CAP SCREWS BECOME STANDARD SERIAL NO. 11468 FOR A CONVERSION
DRAWING SEE DWG NO. 5015 EXTRA MACHINING



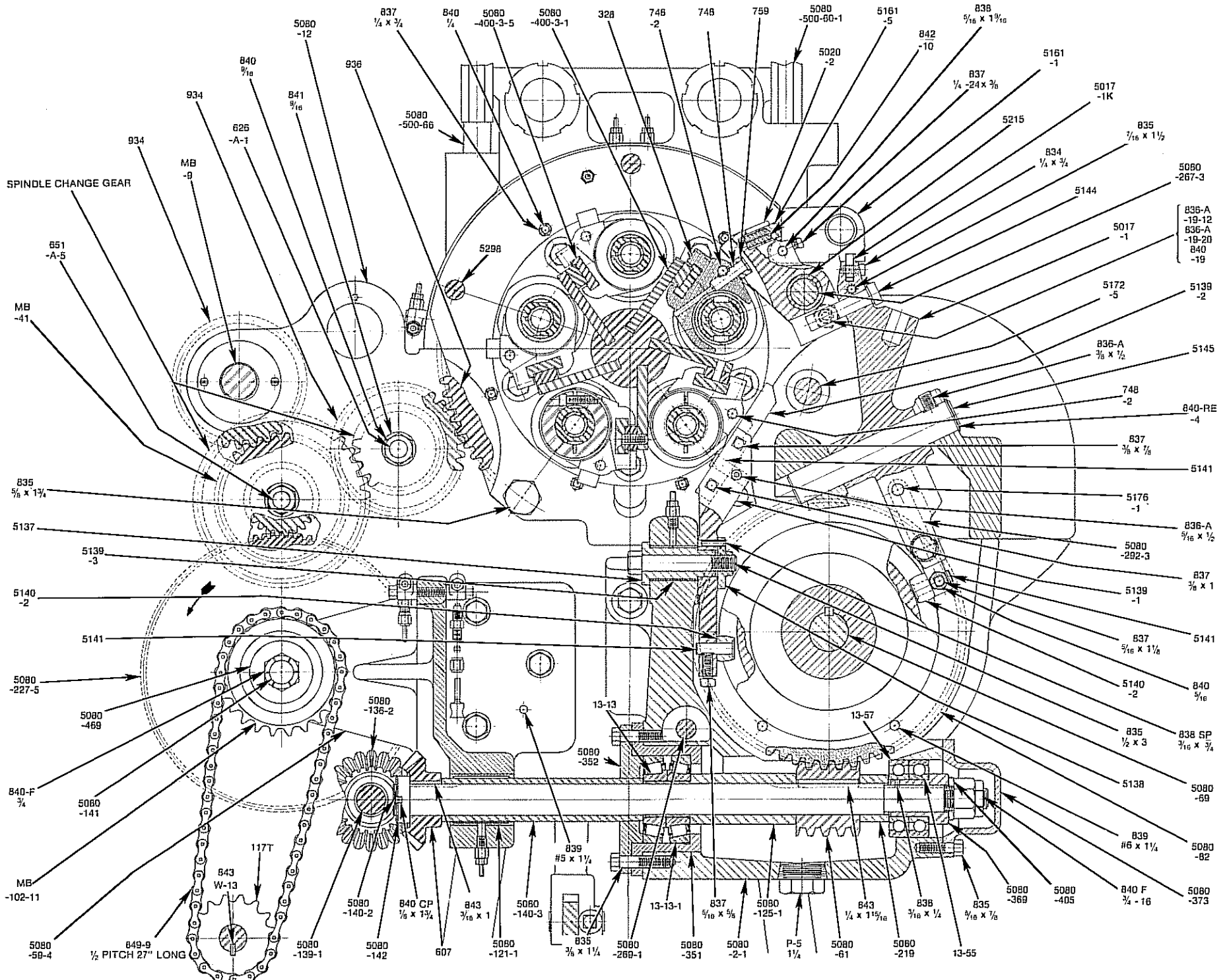
LEFT END VIEW

NEW STYLE STARTING CLUTCH
 HAND LEVER PLUNGER ASSEMBLY
 STARTS SERIAL NO. 11348. SEE NEW
 ASSEMBLY DRAWING 5080-383-17-SA
 FOR DETAILS

SECTION THROUGH CHUCK OPENING & CLOSING

117T	PUMP SPROCKET - SMALL	5080-292-3	CHUCK LEVER ROLL THROWOUT
328	CHUCK SLIDE	5080-351	LEFT END WORM THRUST BEARING RETAINER
607	HANDWHEEL SHAFT MITER GEAR	5080-352	LEFT END WORM OIL RETAINER
626-A-1	SPINDLE CHANGE GEAR STUD	5080-369	END WORM BALL BEARING SLEEVE
651-A-5	DRIVE SHAFT	5080-373	FRONT WORM SHAFT CAP
748-1	CHUCK SLIDE ROLL STUD	5080-400-3-1	LEFT SLIDE BRACKET
748-2	CHUCK SLIDE WEDGE PIN	5080-400-3-5	CHUCK & FEED SLIDE GUIDE
759	CHUCK & FEED SLIDE ROLL	5080-405	END WORM SHAFT WASHER
840-RE-4	RETAINING RING	5080-469	STARTING CLUTCH DRIVE SHAFT WASHER
842-10	PLUNGER SPRING	5080-500-60-1	OIL GUARD SUPPORT STUD
849-9	OIL PUMP CHAIN 1/2" PITCH X 27" LONG	5080-500-66	COLLAR
934	SPINDLE INTERNAL GEAR PINION	5137	CHUCK CLOSING CAM LEVER SLEEVE
936	SPINDLE INTERNAL GEAR	5138	CHUCK CLOSING CAM LEVER SLEEVE NUT
5017-1	CHUCK OPENING CAM LEVER	5139-1	CHUCK CLOSING LEVER
5017-1K	KEY	5139-2	CHUCK CLOSING BLOCK
5020-2	CHUCK SLIDE ROLLER OPENING GUIDE	5139-3	SPLIT BUSHING
5080-2-1	CHUCK & FEED CAM SUPPORT BRACKET	5140-2	CAM ROLL
5080-12	BED	5141	CAM ROLL PIN
5080-59-4	DRIVING CLUTCH BRACKET	5144	CHUCK OPENING CAM LEVER PIN
5080-61	WORM	5145	CHUCK OPENING CAM LEVER SHAFT
5080-69	FRONT CAM SHAFT - LONG	5161-1	CHUCK SLIDE OPENING GUIDE LATCH
5080-82	FRONT WORM WHEEL	5161-5	CHUCK SLIDE OPENING GUIDE PLUNGER
5080-121-1	BRACKET ARM BUSHING	5172-5	OUTER SUPPORT SLIDE ROD - SHORT
5080-125-1	END WORM SPACER - LONG	5176	CHUCK LEVER THROWOUT PIN
5080-136-2	DRIVING CLUTCH BRACKET GEAR	5215	CHUCK SLIDE OPENING GUIDE BUSHING - LONG
5080-139-1	REAR WORM DRIVE SHAFT - LONG	5298	RETAINING CAM STUD
5080-140-2	END WORM DRIVE SHAFT - SHORT	MB-9	DRIVE SHAFT - LONG
5080-140-3	END WORM DRIVE SHAFT SLEEVE	MB-41	COMPOUND DRIVE GEAR
5080-141	STARTING CLUTCH DRIVE SHAFT	MB-102-11	PUMP SPROCKET - LARGE
5080-142	END WORM DRIVE SHAFT NUT	13-57	BALL BEARING SHIELD
5080-219	TOOL SPINDLE WORM SPACER	13-55	BALL BEARING
5080-227-5	DRIVING CLUTCH GEAR RING	P-5	PLUG 1-1/4
5080-267-3	OUTER SUPPORT SLIDE ROD	13-13	TIMKEN CONE 26118
5080-269-1	CHUCK & FEED CAM BRACKET STUD	13-13-1	TIMKEN CUP 26283

NOTE: WHEN ORDERING PARTS, ALWAYS SPECIFY SERIAL NUMBER OF MACHINE.



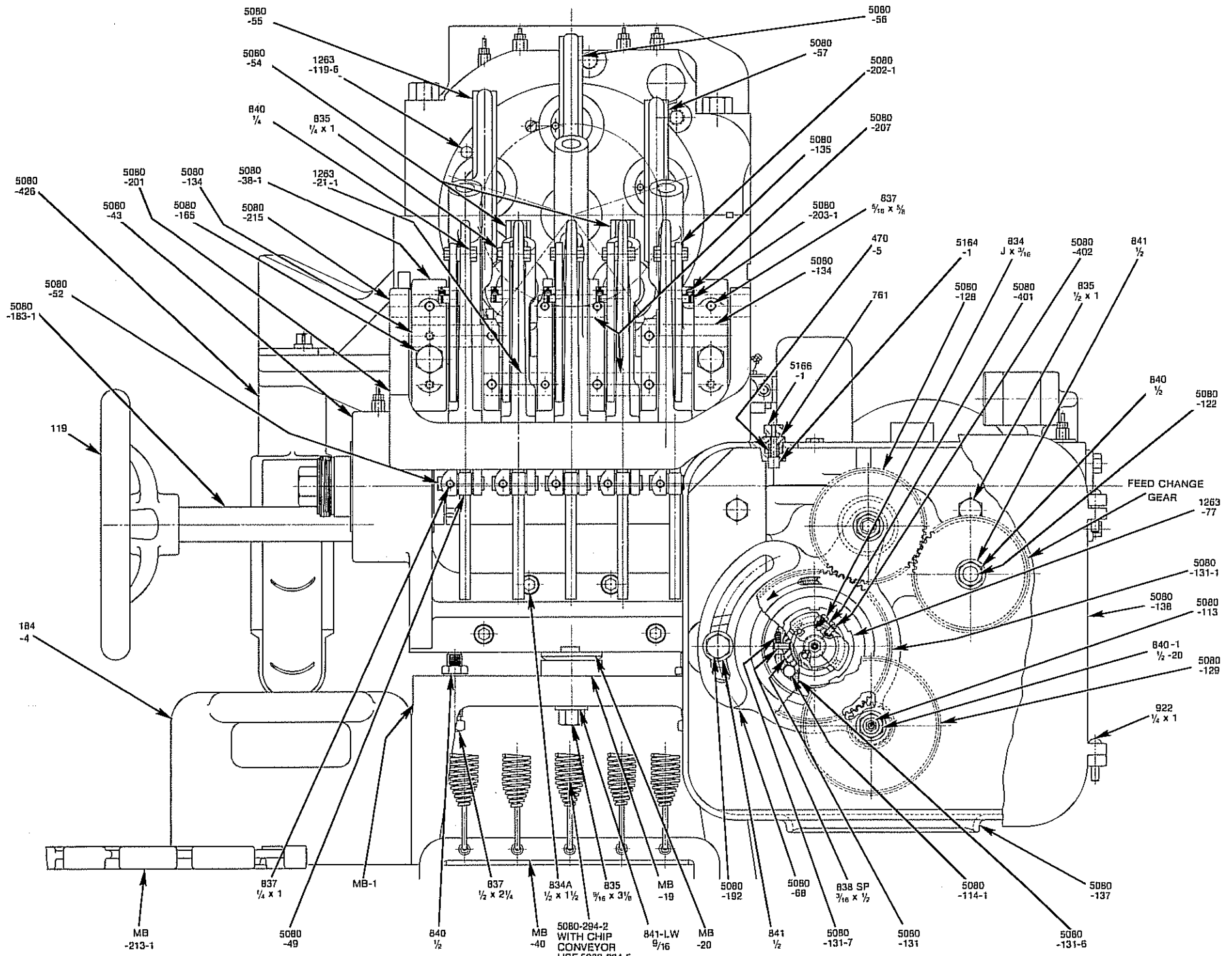
SPINDLE CHANGE GEAR

SECTION THROUGH CHUCK OPENING & CLOSING

RIGHT END VIEW

119	HANDWHEEL	5080-131-6	ROLLER CAGE
184-3-S	WORK TRAY SCREEN	5080-131-7	ROLLER CAGE SPRING
184-4	WORK TRAY	5080-134	CAM LEVER SHAFT - LONG - 3rd & 5th Pos.
470-5	STOCK STOP PLUNGER SPRING	5080-135	CAM LEVER SHAFT - 2nd & 4th Pos.
761	CHUCK & FEED CAM LEVER SPRING SCREW	5080-137	CHANGE GEAR BOX
922	RIVET 1/4x1	5080-138	CHANGE GEAR BOX COVER
1263-21-1	CAM LEVER FULCRUM - SHORT - 1st Pos.	5080-165	TOOL SPINDLE CAM LEVER BRACKET BOLT
1263-77	SPINDLE GEAR CHECK NUT	5080-183-1	HANDWHEEL SHAFT
1263-119-6	STATIONARY HEAD PLUG	5080-192	FEED CHANGE GEAR ARM CLAMPING STUD
5080-38-1	TOOL SPINDLE CAM LEVER BRACKET	5080-201	TOOL SPINDLE CAM LEVER SUPPORT BRACKET
5080-49	CAM LEVER ROLL	5080-203-1	CAM LEVER STOP SPRING HOLDER
5080-52	ROLL PIN - REAR TOOL ARM CAM LEVER	5080-207	CAM LEVER STOP SPRING
5080-54	1st & 2nd POSITION CAM LEVERS	5080-215	CAM LEVER BLOCK STUD
5080-55	5th POSITION CAM LEVER	5080-294-2	CAM LEVER SPRING
5080-56	4th POSITION CAM LEVER	5080-401	REVERSE CLUTCH DETENT SPRING
5080-57	3rd POSITION CAM LEVER	5080-402	REVERSE CLUTCH DETENT
5080-68	FEED CHANGE GEAR ARM	5080-426	WORK CHUTE
5080-113	IDLER GEAR STUD	5164-1	FEED SLIDE GUIDE DETENT PLUNGER
5080-114-1	ROLL CLUTCH ROLL 5/8" LONG	5166-1	FEED SLIDE GUIDE DETENT KNOB
5080-122	IDLER SHAFT	MB-1	BASE
5080-128	UPPER IDLER GEAR - 30-60 COMPOUND	MB-19	CONCAVE ALIGNING WASHER
5080-129	LOWER IDLER GEAR - 24-72 COMPOUND	MB-20	CONVEX ALIGNING WASHER
5080-131	CLUTCH BODY	MB-40	TOOL SPINDLE SPRING ANCHOR
5080-131-1	CLUTCH BODY GEAR	MB-213-1	TOOL RACK

NOTE: WHEN ORDERING PARTS, ALWAYS SPECIFY SERIAL NUMBER OF MACHINE.



RIGHT END VIEW

SECTION THROUGH TOOL SPINDLE CAM SHAFT

119	HANDWHEEL	5080-61	WORM
470-7	STOCK STOP COLLAR LATCH PIN	5080-77	HIGH SPEED CLUTCH FORK LEVER
470-11	STOCK STOP COLLAR	5080-80-10	CAM CARRIER BRACKET CAP
470-12	STOCK STOP COLLAR LATCH SPRING	5080-85	QUICK INDEX CLUTCH CAM
747	FEED SLIDE ROLL STUD	5080-133-1	CAM ROLL
778	STATIONARY HEAD DOWEL	5080-139-2	REAR WORM DRIVE SHAFT - SHORT
844-9	ANGULAR OILER	5080-162-10	WORM WHEEL SPACER
888-1	STOCK STOP SCREW	5080-183-1	HANDWHEEL SHAFT
904-2	STOCK STOP COLLAR LATCH	5080-184	HIGH SPEED CLUTCH FORK LEVER STUD
1263-15-2	TOOL SPINDLE CAM SHAFT EXTENSION	5080-184-1	HIGH SPEED CLUTCH STUD NUT
2075-2	TOOL SPINDLE REAR BOX KEY	5080-185	"C" WASHER
5080-7-10	REAR WORM WHEEL HUB	5080-186	HIGH SPEED CLUTCH FORK LEVER SLEEVE
5080-12	BED	5080-187-47	BRAKE DRUM
5080-20-10	REAR WORM WHEEL	5080-187-54	LEVER
5080-22-10	CAM SHAFT	5080-187-57	BRAKE SHOE
5080-22-10-K	CAM SHAFT KEY	5080-209-1	REAR WORM WHEEL BUSHING
* 5080-23-2	TOOL SPINDLE CAM CARRIER	5080-226-2	STATIONARY HEAD CAP
* 5080-23-5	TOOL SPINDLE CAM CARRIER KEY	5080-333-1	CAM CARRIER BRACKET BUSHING
5080-24	TOOL SPINDLE CAM SPACER	5080-345	CAM SHAFT OUTER SUPPORT BRACKET
5080-24-9	TOOL SPINDLE CAM SPACER	5080-346	CAM SHAFT OUTER BUSHING
5080-26-3	TOOL SPINDLE CAM CARRIER NUT	5080-426	WORK CHUTE
5080-27	TOOL SPINDLE CAM SHAFT BOLT	5080-454	STATIONARY HEAD GUARD
5080-38-1	TOOL SPINDLE CAM LEVER BRACKET	MB-1	BASE
5080-43	CAM CARRIER BRACKET	MB-19	CONCAVE ALIGNING WASHER
5080-43-F.B.	CAM CARRIER BRACKET FIXED BUSHING	MB-20	CONVEX ALIGNING WASHER
		P-5	PIPE PLUG 1-1/4"

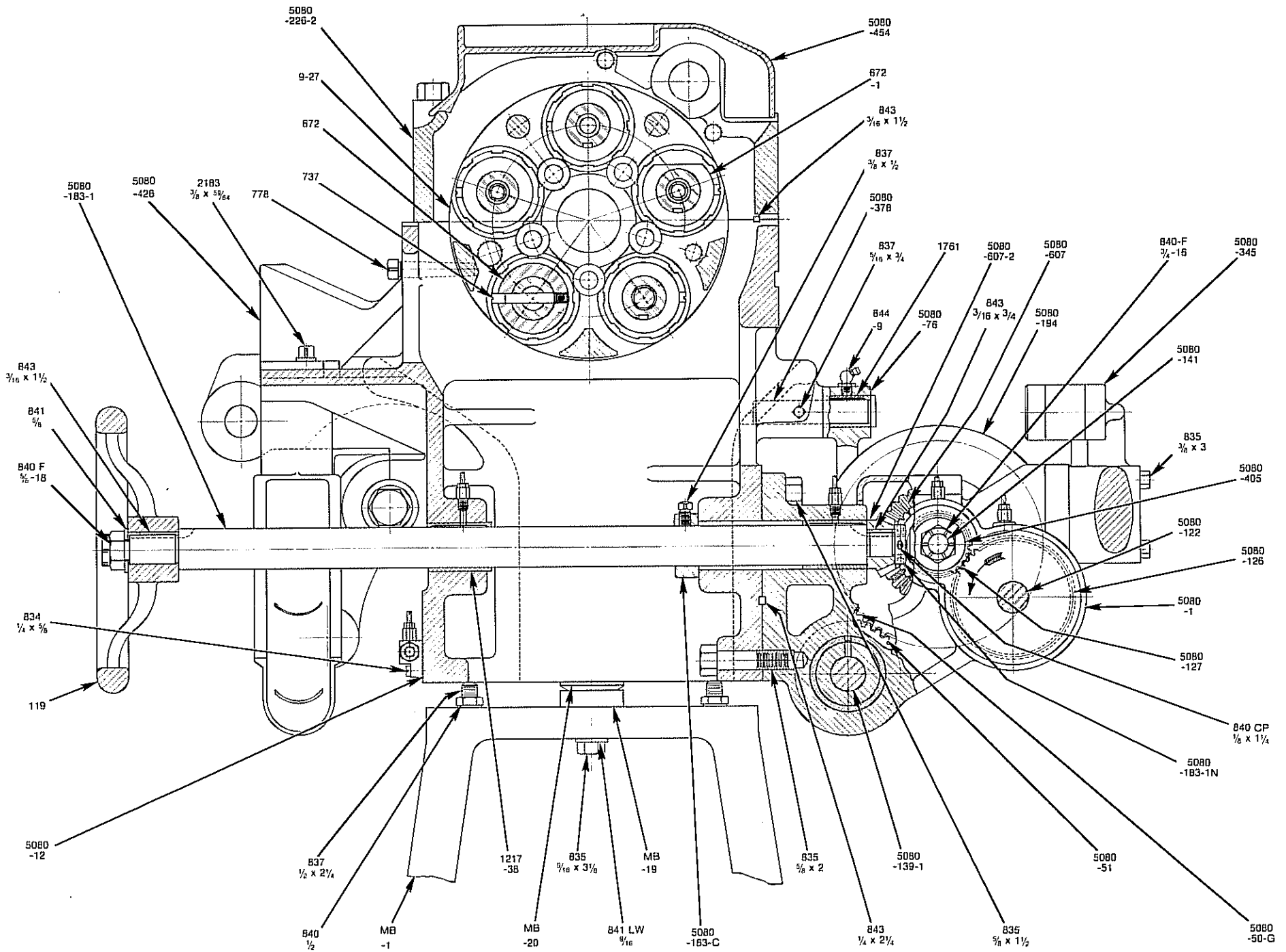
NOTE: WHEN ORDERING PARTS, ALWAYS SPECIFY SERIAL NUMBER OF MACHINE.

* NEW STYLE CAM CARRIER KEY 5080-23-5 WITH 836-4 SCREWS BECOMES STANDARD SERIAL NO. 11211. FOR MACHINES PRIOR TO SERIAL NO. 11211 ORDER KEY NO. 5080-23-2K.

SECTION THROUGH HANDWHEEL SHAFT

9-27	STATIONARY HEAD	5080-139-1	REAR WORM DRIVE SHAFT - LONG
119	HANDWHEEL	5080-141	STARTING CLUTCH DRIVE SHAFT
672	TOOL SPINDLE COLLAR	5080-183-1	HANDWHEEL SHAFT
672-1	TOOL SPINDLE COLLAR - 3rd POSITION	5080-183-1-N	HANDWHEEL SHAFT NUT
737	TOOL SPINDLE COLLAR SCREW	5080-183-C	HANDWHEEL SHAFT COLLAR
778	STATIONARY HEAD DOWEL PIN	5080-194	REAR GEAR GUARD
844-9	ANGULAR OILER	5080-226-2	STATIONARY HEAD CAP
1217-38	DRIVING PULLEY BRACKET BUSHING	5080-345	CAM SHAFT OUTER SUPPORT BRACKET
1761	HIGH SPEED CLUTCH LEVER BUSHING	5080-378	HIGH SPEED CLUTCH LARGE LEVER FULCRUM
5080-1	HIGH SPEED CLUTCH BRACKET	5080-405	END WORM SHAFT WASHER
5080-12	BED	5080-426	WORK CHUTE
5080-50-G	QUICK INDEX DRIVE GEAR	5080-454	STATIONARY HEAD GUARD
5080-51	QUICK INDEX DRIVEN GEAR	5080-607	HANDWHEEL SHAFT LARGE BEVEL GEAR
5080-76	HIGH SPEED CLUTCH LARGE LEVER	5080-607-2	HANDWHEEL SHAFT SMALL BEVEL GEAR
5080-122	IDLER SHAFT	MB-1	BASE
5080-126	IDLER SHAFT DRIVEN GEAR	MB-19	CONCAVE ALIGNING WASHER
5080-127	IDLER SHAFT DRIVING GEAR	MB-20	CONVEX ALIGNING WASHER

NOTE: WHEN ORDERING PARTS, ALWAYS SPECIFY SERIAL NUMBER OF MACHINE.



SECTION THROUGH HANDWHEEL SHAFT

SECTION THROUGH CROSS SLIDES

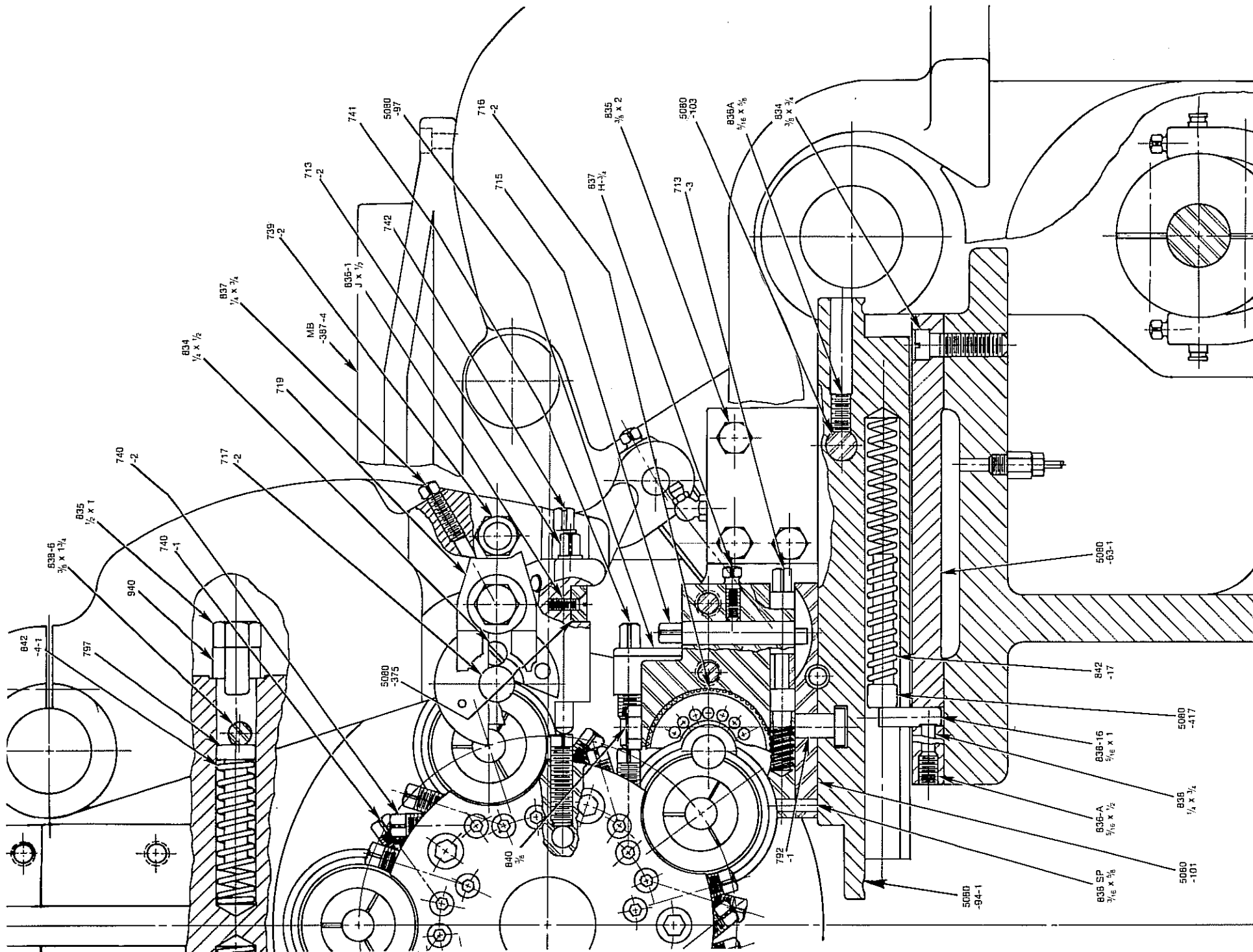
459	FRONT TOOL ARM	5080-47	FRONT CROSS SLIDE CAM LEVER
459-HS	FRONT & REAR TOOL ARM HEXAGON SCREW	5080-47-10	FRONT POSITIVE RETURN LEVER
680	CAM LEVER LINK NUT	5080-47-12	ROLL PIN
713-1	CIRCULAR TOOL ADJUSTING WORM FRONT TOOL ARM	5080-47-13	FRONT CAM CARRIER NUT
713-2	CIRCULAR TOOL ADJUSTING WORM REAR TOOL ARM	5080-48-2	CROSS SLIDE CAM LEVER STUD
713-3	CIRCULAR TOOL ADJUSTING WORM - TOOL POST	5080-62-1	SLIDE BASE - FRONT
715	TOOL POST ECCENTRIC	5080-63-1	SLIDE BASE - REAR
716-2	CIRCULAR TOOL ADJUSTING PLATE	5080-64	REAR TOOL ARM
717-2	FRONT & REAR TOOL ARM PLATE	5080-91-1	FRONT CROSS SLIDE
719	CIRCULAR TOOL CLAMP	5080-91G-1	FRONT CROSS SLIDE OIL GUARD
735	CAM LEVER LINK END	5080-92-1	FRONT CROSS SLIDE GIB
739-2	CIRCULAR TOOL CLAMP SCREW - 1" LONG	5080-93-2	CROSS SLIDE GIB SCREW
740-1	TOOL POST STOP SCREW	5080-96	FRONT CROSS SLIDE STOP SCREW BLOCK
740-2	TOOL POST STOP SCREW - 4th POSITION	5080-97	REAR CROSS SLIDE STOP SCREW BLOCK
741	TOOL POST SCREW	5080-98-2	FRONT TOOL POST
742	TOOL ARM SCREW - REAR	5080-100	FRONT TOOL POST RISING BLOCK
791	CAM LEVER BOLT	5080-101	REAR TOOL POST RISING BLOCK
792-2	TOOL POST BOLT - FRONT	5080-103	REAR CROSS SLIDE PIN
794-L	CAM LEVER LINK - LEFT	5080-139-1	REAR WORM DRIVE SHAFT - LONG
794-R	CAM LEVER LINK - RIGHT	5080-141	STARTING CLUTCH DRIVE SHAFT
797	TOOL ARM SPRING PLUNGER	5080-226-26	BUSHING (USED IN 5011-5)
836-6	PIN	5080-294-6	SPRING - FRONT CROSS SLIDE CAM LEVER
838-7	PIN	5080-375	CIRCULAR TOOL ADJUSTING WORM RETAINER
838-16	PIN	5080-378	HIGH SPEED CLUTCH LARGE LEVER FULCRUM
838-SP	SPRING PIN	5080-417	CROSS SLIDE SPRING PLUNGER
842-4-1	TOOL ARM SPRING	5080-B-5-P	WELCH PLUG 1-5/8" DIAMETER
842-17	CROSS SLIDE SPRING	5514	STARTING SHAFT FORK
844-9	ANGULAR OILER	MB-19	CONCAVE ALIGNING WASHER
940	FRONT & REAR TOOL ARM STOP	MB-20	CONVEX ALIGNING WASHER
2186	TOOL POST STOP	MB-387-1	UPPER REAR GUARD
5011-5	REAR WORM SHAFT BEARING	MB-387-2	LOWER REAR GUARD
5011-7	CAM SUPPORT SHAFT CAP - RIGHT	MB-387-4	REMOVABLE GUARD
5080-13-P	TOOL ARM THRUST PLUG	MC-44-3	REAR TOOL ARM CAM LEVER BUSHING
5080-36	LOCATING LEVER ROLL	5-C-259	POSITIVE RETURN CAM
5080-46	FRONT TOOL ARM CAM LEVER		BRASS PLUG 3/16x1-3/8
		5080-94-1	REAR CROSS SLIDE

NOTE: WHEN ORDERING PARTS, ALWAYS SPECIFY SERIAL NUMBER OF MACHINE.

SECTION THROUGH REAR CROSS SLIDE

713-2	CIRCULAR TOOL ADJUSTING WORM - REAR TOOL ARM
713-3	CIRCULAR TOOL ADJUSTING WORM - TOOL POST
715	TOOL POST ECCENTRIC
716-2	CIRCULAR TOOL ADJUSTING PLATE
717-2	FRONT AND REAR TOOL ARM PLATE
719	CIRCULAR TOOL CLAMP
739-2	CIRCULAR TOOL CLAMP SCREW - 1" LONG
740-1	TOOL POST STOP SCREW
740-2	TOOL POST STOP SCREW - 4TH POSITION
741	TOOL POST SCREW
742	TOOL ARM SCREW - REAR
792-1	TOOL POST BOLT - REAR
797	TOOL ARM SPRING PLUNGER
838-6	PIN
838-16	PIN
838-SP	SPRING PIN
842-4-1	TOOL ARM SPRING
842-17	CROSS SLIDE SPRING
940	FRONT AND REAR TOOL ARM STOP
5080-63-1	SLIDE BASE - REAR
5080-97	REAR CROSS SLIDE STOP SCREW BLOCK
5080-101	REAR TOOL POST RISING BLOCK
5080-103	REAR CROSS SLIDE PIN
5080-375	CIRCULAR TOOL ADJUSTING WORM RETAINER
5080-417	CROSS SLIDE SPRING PLUNGER
MB-387-4	REMOVABLE GUARD
5080-94-1	REAR CROSS SLIDE

NOTE: WHEN ORDERING PARTS, ALWAYS SPECIFY SERIAL NUMBER OF MACHINE.

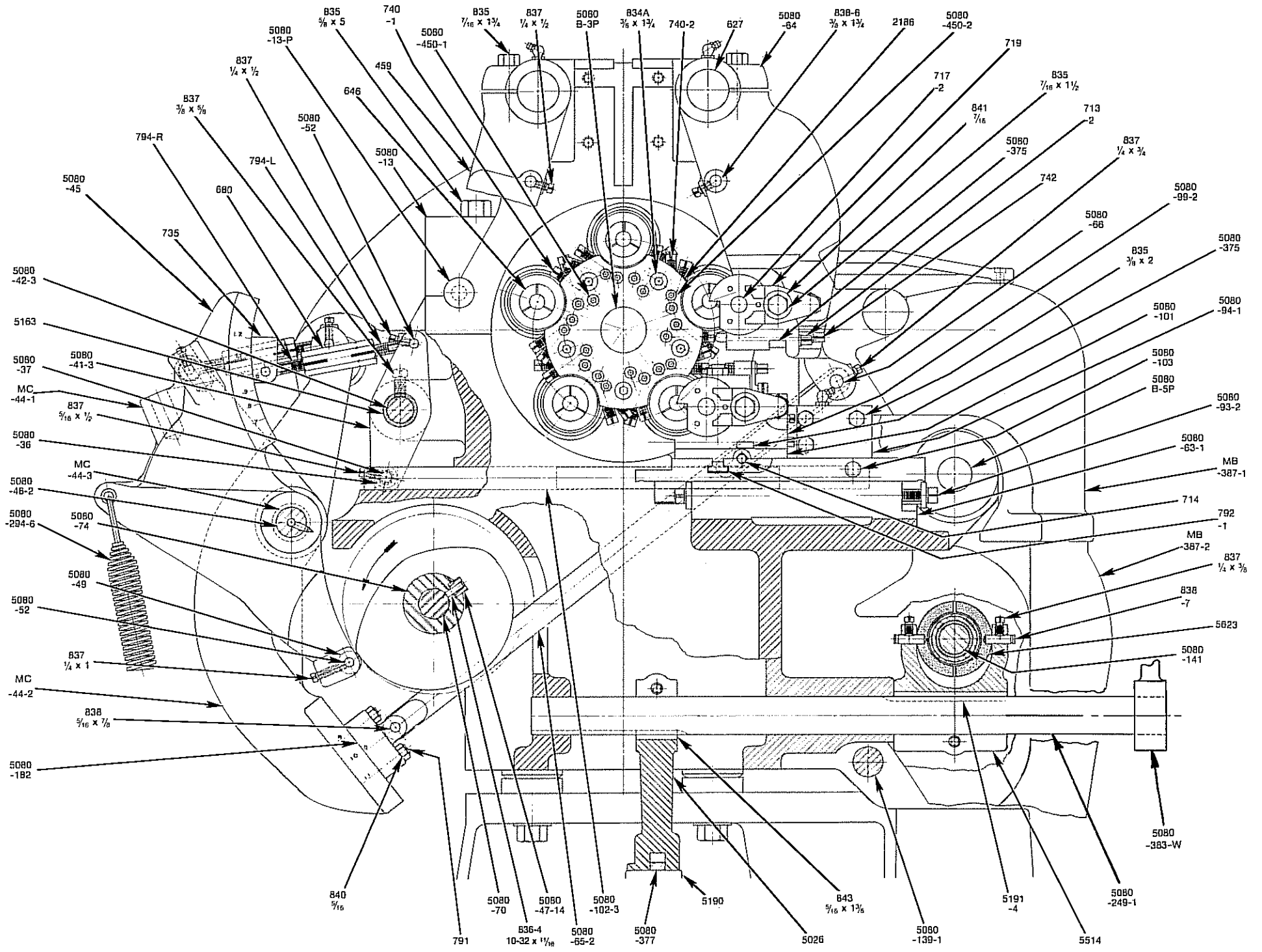


SECTION THROUGH REAR CROSS SLIDE

SECTION SHOWING REAR SLIDE & TOOL ARM

459	FRONT TOOL ARM	5080-64	REAR TOOL ARM
627	TOOL ARM STUD	5080-65-2	REAR TOOL ARM CONNECTING ROD
646	CHUCK	5080-66	REAR TOOL ARM CONNECTING ROD PIN
680	CAM LEVER LINK NUT	5080-70	FRONT CAM SHAFT BOLT
713-2	CIRCULAR TOOL ADJUSTING WORM - REAR TOOL ARM	5080-74	FRONT CAM CARRIER
714	TOOL POST ADJUSTING SCREW	5080-93-2	CROSS SLIDE GIB SCREW
717-2	FRONT & REAR TOOL ARM PLATE	5080-94-1	REAR CROSS SLIDE
719	CIRCULAR TOOL CLAMP	5080-99-2	REAR TOOL POST
735	REAR SLIDE CAM LEVER LINK END	5080-101	REAR TOOL POST RISING BLOCK
740-1	TOOL POST STOP SCREW	5080-102-3	REAR CROSS SLIDE ROD
740-2	TOOL POST STOP SCREW - 4th POSITION	5080-103	REAR CROSS SLIDE PIN
742	TOOL ARM SCREW - REAR	5080-139-1	REAR WORM DRIVE SHAFT - LONG
791	CAM LEVER BOLT	5080-141	STARTING CLUTCH DRIVE SHAFT
792-1	TOOL POST BOLT - REAR	5080-182	REAR TOOL ARM CAM LEVER LINK END
794-L	CAM LEVER LINK - LEFT	5080-249-1	STARTING FORK SHAFT
794-R	CAM LEVER LINK - RIGHT	5080-294-6	SPRING - FRONT CROSS SLIDE CAM LEVER
838-6	PIN	5080-375	CIRCULAR TOOL ADJUSTING WORM RETAINER
838-7	PIN	5080-377	STARTING LEVER LINK
2186	TOOL POST STOP	5080-450-1	TOOL POST STOP ECCENTRIC
5026	STARTING SHAFT LEVER	5080-450-2	TOOL POST STOP ECCENTRIC - 4th Pos.
5080-13	REVOLVING HEAD CAP	5080-B-3-P	WELCH PLUG 1-3/4" DIAMETER
5080-13-P	TOOL ARM THRUST PLUG	5080-B-5-P	WELCH PLUG 1-5/8" DIAMETER
5080-36	LOCATING LEVER ROLL	5163	FEED SLIDE GUIDE BUSHING
5080-37	LOCATING LEVER ROLL PIN	5190	STARTING SHAFT LEVER PIN
5080-41-3	REAR CROSS SLIDE LEVER	5191-4	STARTING FORK SHAFT KEY
5080-42-3	REAR SLIDE LEVER FULCRUM	5514	STARTING SHAFT FORK
5080-45	REAR CROSS SLIDE CAM LEVER	5623	STARTING SHAFT FORK SHOE
5080-47-14	FRONT CAM CARRIER KEY	MB-387-1	UPPER REAR GUARD
5080-48-2	CROSS SLIDE CAM LEVER STUD	MB-387-2	LOWER REAR GUARD
5080-49	CAM LEVER ROLL	MC-44-1	REAR TOOL ARM CAM LEVER
5080-52	ROLL PIN - REAR TOOL ARM CAM LEVER	MC-44-2	REAR TOOL ARM CAM LEVER EXTENSION
5080-63-1	SLIDE BASE - REAR	MC-44-3	REAR TOOL ARM CAM LEVER BUSHING
		5080-383-W	STARTING HAND LEVER - REAR

NOTE: WHEN ORDERING PARTS, ALWAYS SPECIFY SERIAL NUMBER OF MACHINE.

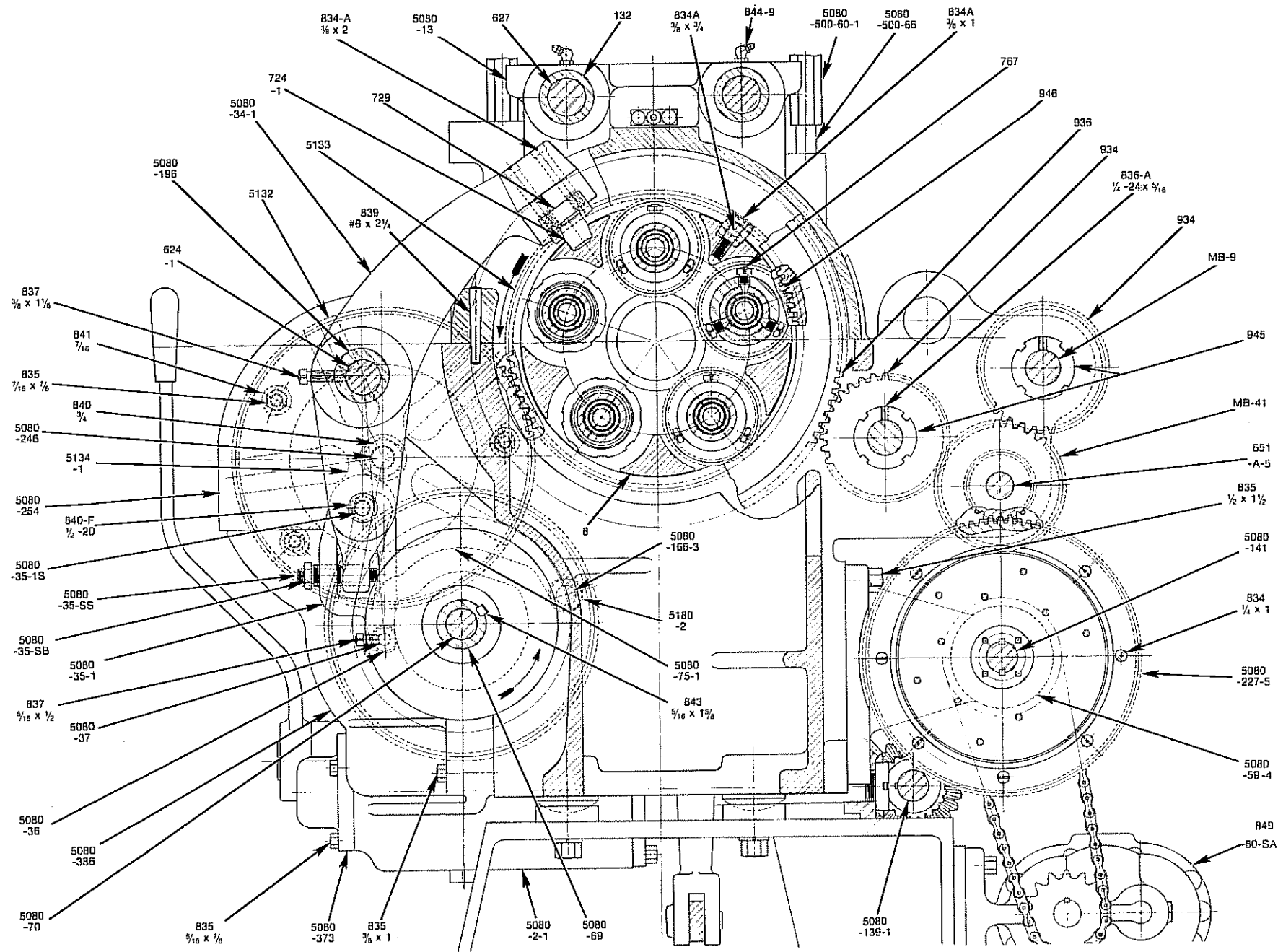


SECTION SHOWING REAR SLIDE & TOOL ARM

SECTION THROUGH INDEXING & LOCATING

8	REVOLVING HEAD	5080-37	LOCATING LEVER ROLL PIN
132	TOOL ARM STUD COLLAR	5080-59-4	DRIVING CLUTCH BRACKET
624-1	LOCATING LEVER STUD	5080-69	FRONT CAM SHAFT - LONG
627	TOOL ARM STUD	5080-70	FRONT CAM SHAFT BOLT
651-A-5	DRIVE SHAFT	5080-75-1	LOCATING CAM
724-1	REVOLVING HEAD LOCATING BLOCK	5080-139-1	REAR WORM DRIVE SHAFT - LONG
729	LOCATING LEVER BLOCK	5080-141	STARTING CLUTCH DRIVE SHAFT
767	SPINDLE GEAR SCREW	5080-166-3	CHUCK & FEED CAM ROLL PIN
844-9	ANGULAR OILER	5080-196	ECCENTRIC BUSHING - FOR LOCATING LEVER
849-60-SA	PUMP (ASSEMBLED)	5080-227-5	DRIVING CLUTCH GEAR RING
934	SPINDLE INTERNAL GEAR PINION	5080-246	GENEVA MOTION STAR WHEEL STUD
936	SPINDLE INTERMEDIATE GEAR	5080-254	GENEVA MOTION STAR WHEEL HOUSING
945	SPINDLE CHANGE GEAR STUD NUT (LEFT HAND)	5080-373	FRONT WORM SHAFT CAP
946	SPINDLE GEAR	5080-386	FRONT WORM WHEEL GUARD
5080-2-1	CHUCK & FEED CAM SUPPORT BRACKET	5080-500-60-1	OIL GUARD SUPPORT STUD
5080-13	REVOLVING HEAD CAP	5080-500-66	COLLAR
5080-34-1	LOCATING LEVER	5132	GENEVA DISC GEAR
5080-35-1	LOCATING CAM LEVER	5133	REVOLVING HEAD GEAR
5080-35-1-S	LOCATING & CLAMPING CAM LEVER SCREW	5134-1	GENEVA MOTION STAR WHEEL
5080-35-SB	CAM LEVER SCREW BUSHING	5180-2	CHUCK & FEED CAM INDEX ROLL
5080-35-SS	CAM LEVER SET SCREW	MB-9	DRIVE SHAFT - LONG
5080-36	LOCATING LEVER ROLL	MB-41	COMPOUND DRIVE GEAR

NOTE: WHEN ORDERING PARTS, ALWAYS SPECIFY SERIAL NUMBER OF MACHINE.

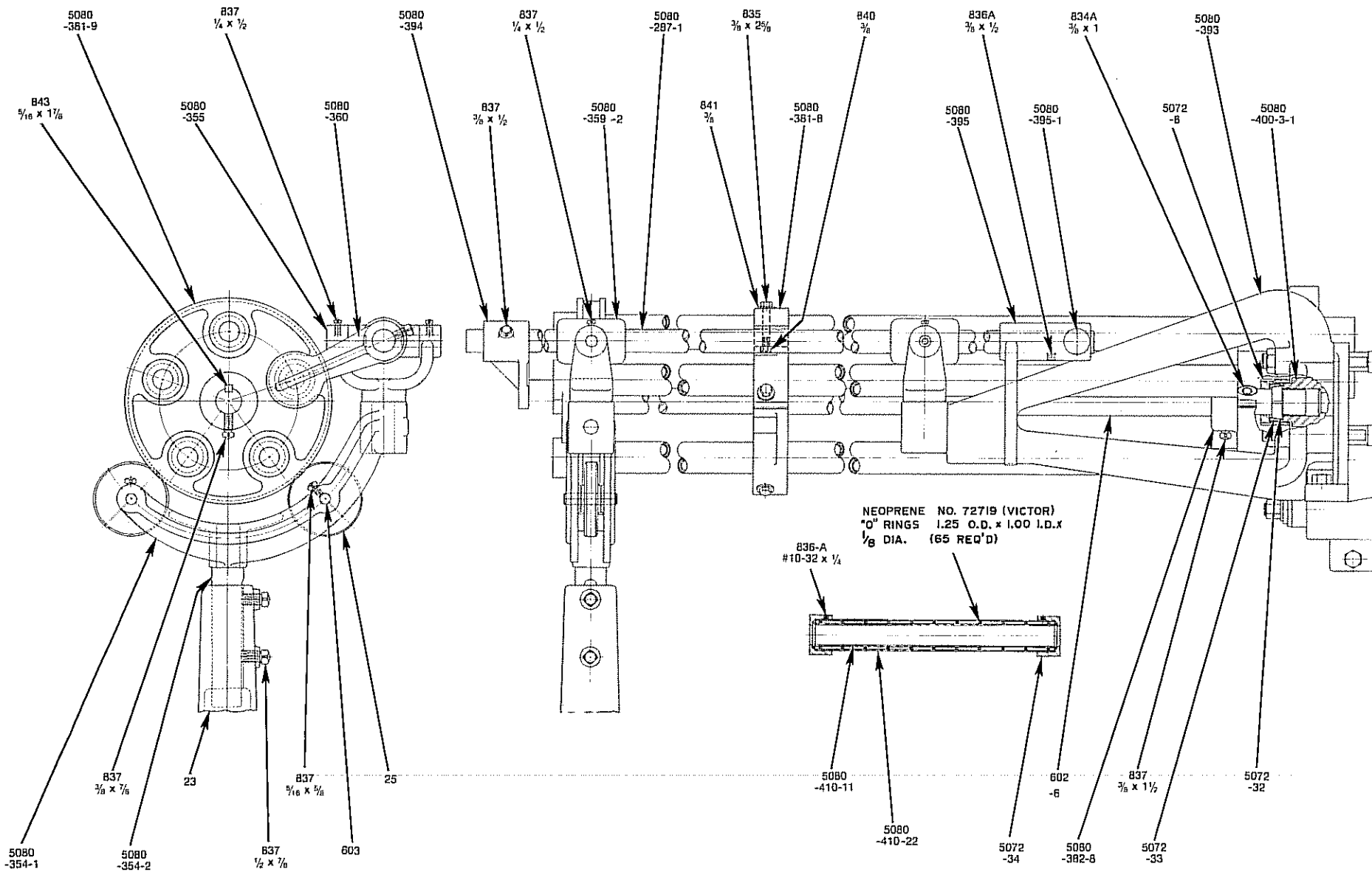


SECTION THROUGH INDEXING & LOCATING

WIRE CASE CARRIER & STOCK LOADING MECHANISM

23	WIRE STAND
25	WIRE CARRIER SUPPORT ROLL
602-6	WIRE CASE CARRIER ROD
603	WIRE CASE CARRIER SUPPORT ROLL PIN
5072-8	WIRE CASE CARRIER ROD THRUST NUT
5072-32	SPLIT SLEEVE
5072-33	COLLAR (TAPERED HOLE)
5072-34	END CAP
5080-287-1	SLIDE ROD
5080-354-1	REAR BRACKET
5080-354-2	WIRE CASE SUPPORT STEM
5080-355	SWIVEL
5080-359-2	SWIVEL BEARING
5080-360	SWIVEL BEARING PIN
5080-381-8	CENTER CARRIER
5080-381-9	OUTER CARRIER
5080-382-8	INNER CARRIER
5080-393	ROD INSERTING SUPPORT BRACKET
5080-394	WIRE ADJUSTING LEVER
5080-395	WIRE ADJUSTING HANDLE
5080-395-1	HANDLE
5080-400-3-1	LEFT SIDE BRACKET
5080-410-11	INNER TUBE
5080-410-22	OUTER TUBE

NOTE: WHEN ORDERING PARTS, ALWAYS SPECIFY SERIAL NUMBER OF MACHINE.

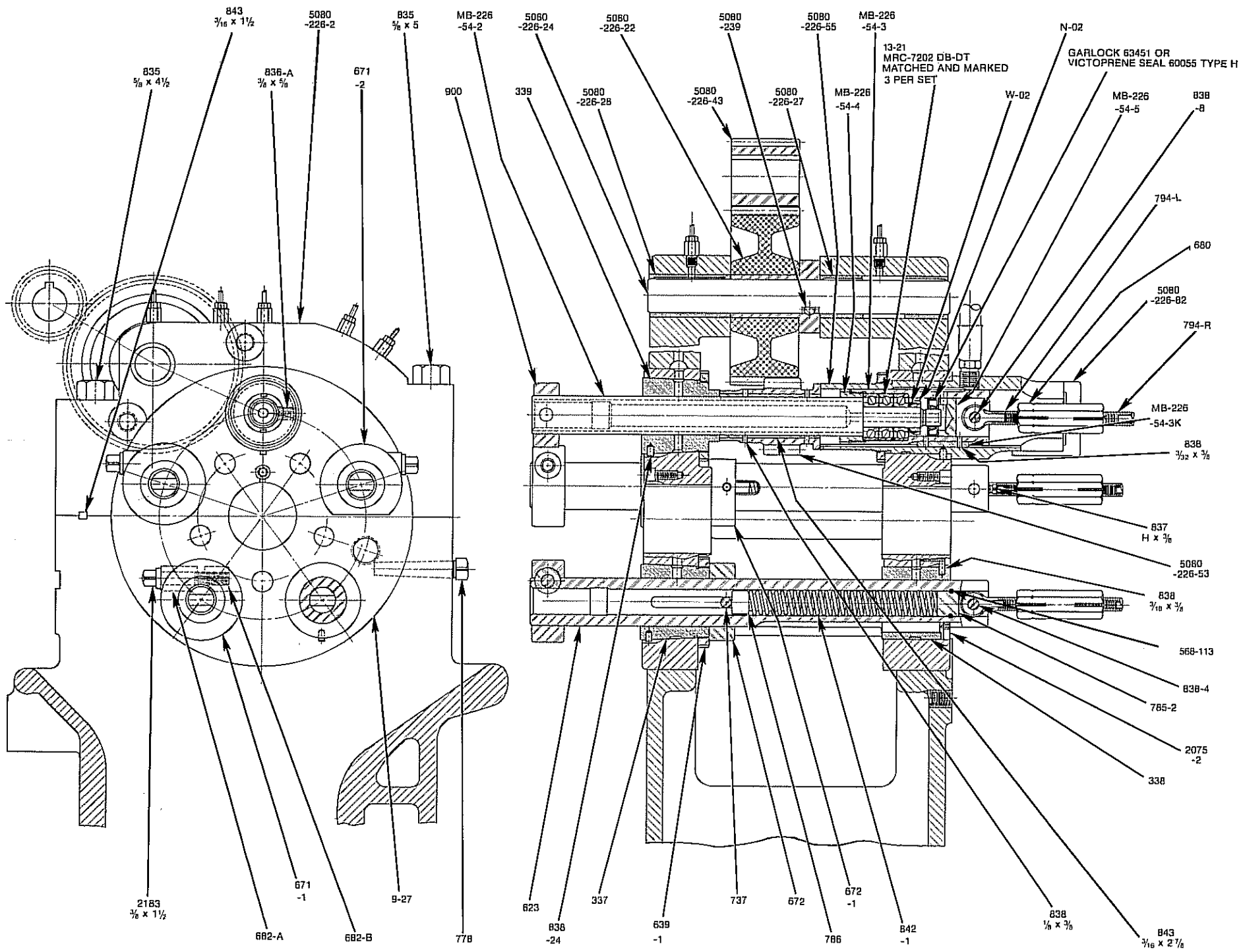


WIRE CASE CARRIER & STOCK LOADING MECHANISM

SECTION THROUGH THREADING & TOOL SPINDLE

9-27	STATIONARY HEAD
337	TOOL SPINDLE FRONT BOX
338	TOOL SPINDLE REAR BOX
339	THREADING SPINDLE FRONT BOX
568-113	"O-RING"
623	TOOL SPINDLE
639-1	SPINDLE BOX NUT
671-1	TOOL CLAMP RING
671-2	TOOL CLAMP RING - 5th POSITION
672	TOOL SPINDLE COLLAR
672-1	TOOL SPINDLE COLLAR - 3rd POSITION
680	CAM LEVER LINK NUT
682-A	TOOL CLAMP
682-B	TOOL CLAMP NUT
737	TOOL SPINDLE COLLAR SCREW
778	STATIONARY HEAD DOWEL PIN
785-2	TOOL SPINDLE SPRING PLUG
786	TOOL SPINDLE SPRING PLUNGER
794-L	CAM LEVER LINK - LEFT
794-R	CAM LEVER LINK - RIGHT
838-4	PIN
838-8	PIN
838-24	PIN
842-1	TOOL SPINDLE SPRING
900	CLAMP RING
2075-2	TOOL SPINDLE REAR BOX KEY
2183	COLLAR SCREW 3/8 x 1-1/2
5080-226-2	STATIONARY HEAD CAP
5080-226-22	INTERMEDIATE GEAR - LARGE
5080-226-24	INTERMEDIATE GEAR SHAFT - LONG
5080-226-27	INTERMEDIATE GEAR SHAFT BUSHING - SHORT
5080-226-28	INTERMEDIATE GEAR SHAFT BUSHING - LONG
5080-226-43	THREADING CLUTCH SHAFT GEAR - STEEL
5080-226-53	THREADING SPINDLE GEAR - STEEL
5080-226-55	THREADING SPINDLE REAR BOX
5080-226-82	THREADING SPINDLE BACK STOP
5080-239	THREADING GEAR PIN
MB-226-54-2	THREADING SPINDLE
MB-226-54-3	THREADING SPINDLE SLEEVE
MB-226-54-3K	KEY
MB-226-54-4	SPINDLE SLEEVE NUT
MB-226-54-5	SPINDLE PLUG
N-02	NUT
W-02	WASHER
13-21	MRC-7202 DB-DT 3 PER SET MATCHED & MARKED GARLOCK 63451 OR VICTOPRENE SEAL 60055 TYPE H

NOTE: WHEN ORDERING PARTS, ALWAYS SPECIFY SERIAL NUMBER OF MACHINE.

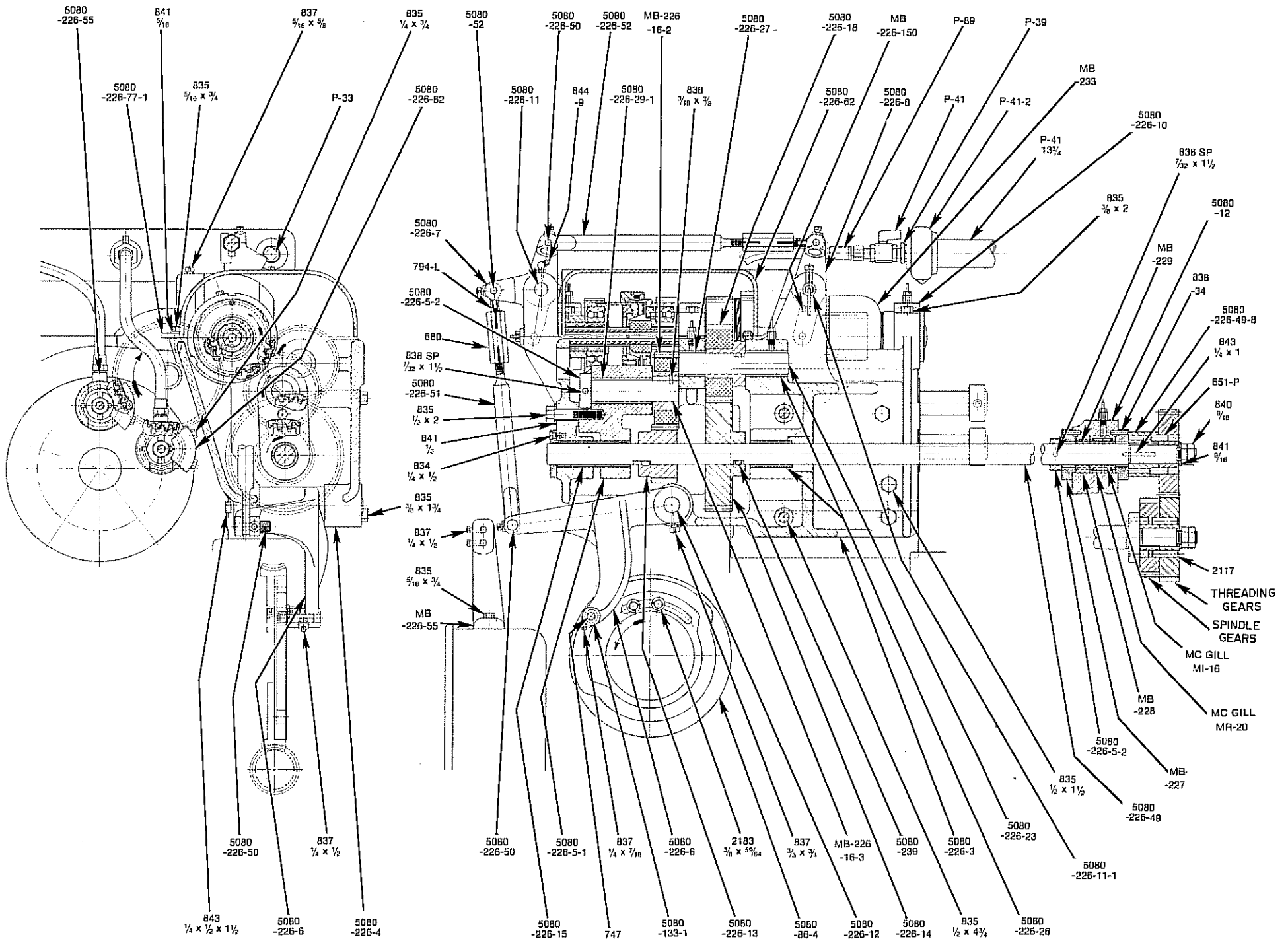


SECTION THROUGH THREADING & TOOL SPINDLE

THREADING ATTACHMENT - SECTION THROUGH GEARING

651-P	PIN	5080-226-26	THREADING SHAFT BUSHING - SHORT
680	CAM LEVER LINK NUT	5080-226-27	INTERMEDIATE GEAR SHAFT BUSHING - SHORT
747	FEED SLIDE ROLL STUD	5080-226-29-1	INTERMEDIATE STEM GEAR ARM BUSHING
794-L	CAM LEVER LINK - LEFT	5080-226-49	THREADING SHAFT
838-34	PIN	5080-226-49-8	THREADING SHAFT COLLAR
844-9	ANGULAR OILER	5080-226-50	THREADING CLUTCH CAM LEVER PIN
2117	THREADING CHANGE GEAR DRIVE PIN	5080-226-51	THREADING CLUTCH CONNECTING LINK - SHORT
2183	COLLAR SCREW 3/8 x 59/64	5080-226-52	THREADING CLUTCH CONNECTING LINK - LONG
5080-12	BED	5080-226-55	THREADING SPINDLE REAR BOX
5080-52	ROLL PIN	5080-226-62	THREADING BRACKET GUARD
5080-86-4	THREADING CLUTCH CAM	5080-226-77-1	THREADING GEAR LOCK
5080-133-1	THREADING & HIGH SPEED CLUTCH CAM ROLL	5080-226-82	THREADING SPINDLE BACK STOP
5080-226-3	THREADING BRACKET	5080-239	THREADING GEAR PIN
5080-226-4	THREADING BRACKET COVER	MB-226-16-2	INTERMEDIATE GEAR
5080-226-5-1	INTERMEDIATE STEM GEAR ARM	MB-226-16-3	INTERMEDIATE GEAR STEM
5080-226-5-2	THREADING ON INTERMEDIATE STEM COLLAR	MB-226-55	THREADING CLUTCH LOCK
5080-226-6	THREADING CLUTCH CAM LEVER	MB-226-150	OIL DRIP
5080-226-7	THREADING CLUTCH FORK - LEFT	MB-227	THRUST PLATES
5080-226-8	THREADING CLUTCH FORK - RIGHT	MB-228	SPACER - LARGE
5080-226-10	THREADING BRACKET CAP	MB-229	SPACER - SMALL
5080-226-11	THREADING CLUTCH FORK FULCRUM - RIGHT	MB-233	STATIONARY HEAD GUARD
5080-226-11-1	THREADING CLUTCH FORK FULCRUM - LEFT	P-33	PLUG 1/2"
5080-226-12	THREADING CLUTCH CAM LEVER FULCRUM	P-39	REDUCING BUSHING 1/2 x 1/4
5080-226-13	THREADING GEAR - SMALL	P-41	KANT LEAK GAS COCK
5080-226-14	THREADING GEAR - LARGE	P-41-2	OIL DISTRIBUTOR
5080-226-15	THREADING SHAFT BUSHING - LONG	P-41-13-3/4	NIPPLE 1" x 13-3/4" LONG
5080-226-18	INTERMEDIATE GEAR - SMALL	P-89	FLEXIBLE PIPE
5080-226-23	INTERMEDIATE GEAR SHAFT - SHORT	M1-16	MCGILL INNER RACE
		MR-20	MCGILL BEARING

NOTE: WHEN ORDERING PARTS, ALWAYS SPECIFY SERIAL NUMBER OF MACHINE.



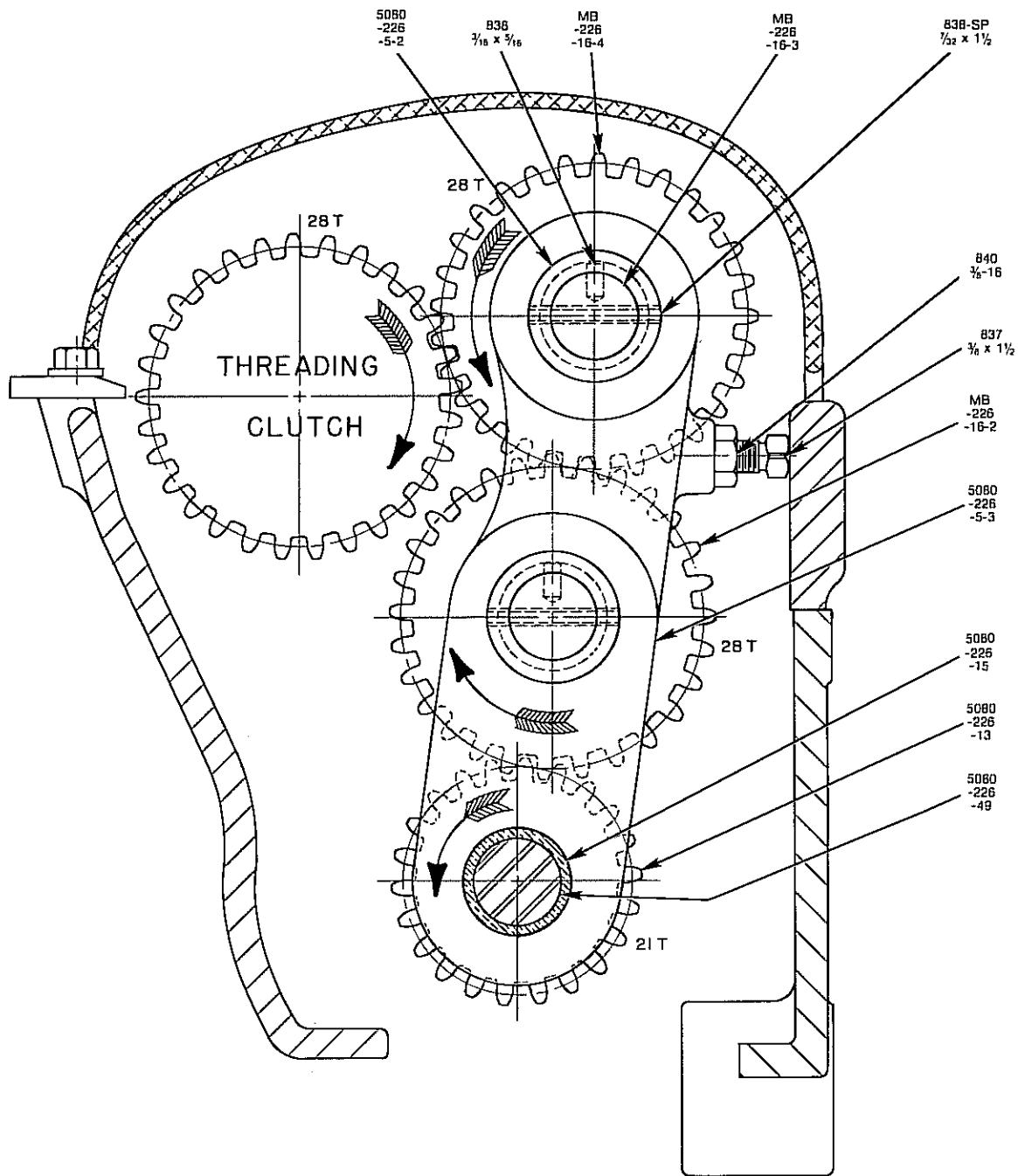
THREADING ATTACHMENT - SECTION THROUGH GEARING

THREADING ATTACHMENT - REVERSING BLOCK

5080-226-5-2	INTERMEDIATE STEM COLLAR
5080-226-5-3	REVERSING GEAR ARM
5080-226-13	THREADING GEAR (SMALL)
5080-226-15	THREADING SHAFT BUSHING - LONG
5080-226-49	THREADING SHAFT
MB-226-16-2	INTERMEDIATE GEAR - CELERON
MB-226-16-3	INTERMEDIATE GEAR STEM
MB-226-16-4	INTERMEDIATE GEAR - STEEL

MB-226-16-SA INTERMEDIATE GEAR - CELERON ASSEMBLED
CONSISTS OF: MB-226-16-2 & MB-226-16-3.
MB-226-16-4-SA INTERMEDIATE GEAR - STEEL ASSEMBLED
CONSISTS OF: MB-226-16-3 & MB-226-16-4.

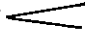
NOTE: WHEN ORDERING PARTS, ALWAYS SPECIFY SERIAL NUMBER OF MACHINE.



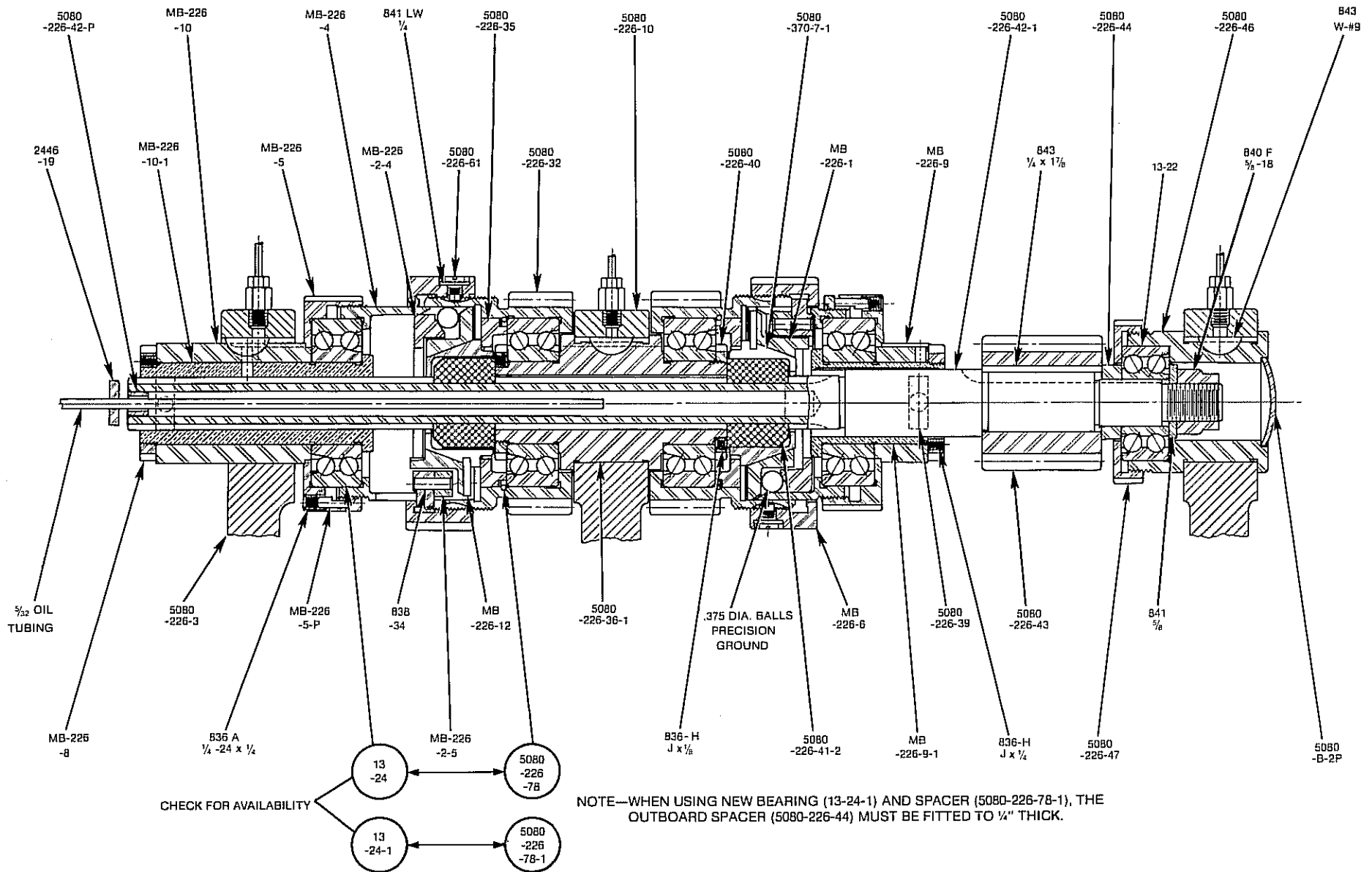
THREADING ATTACHMENT - REVERSING BLOCK

THREADING ATTACHMENT - SECTION THROUGH CLUTCHES

838-34	PIN
2446-19	OIL TUBE SUPPORT
5080-226-3	THREADING BRACKET
5080-226-10	THREADING BRACKET CAP
5080-226-32	THREADING CLUTCH GEAR
5080-226-35	THREADING CLUTCH COLLAR
5080-226-36-1	CENTER BUSHING
5080-226-39	SHIFTING SLEEVE SHOE
5080-226-40	SHIFTING SLEEVE NUT
5080-226-41-2	THREADING CLUTCH BODY
5080-226-42-1	THREADING CLUTCH SHAFT
5080-226-42-P	THREADING SHAFT OIL PLUG
5080-226-43	THREADING CLUTCH SHAFT GEAR - STEEL
5080-226-44	BALL BEARING SPACER - SHORT
5080-226-46	BALL BEARING RETAINER
5080-226-47	BALL BEARING RETAINER NUT
5080-226-61	THREADING CLUTCH ADJUSTING NUT SCREW
5080-226-78	THREADING CLUTCH GEAR RING
5080-370-7-1	THREADING CLUTCH GRIPPING SLEEVE
5080-B-2-P	WELCH PLUG 1-1/2" DIAMETER
MB-226-1	THREADING CLUTCH CLOSING RING
MB-226-2-4	ADJUSTING SLEEVE
MB-226-2-5	ADJUSTING SLEEVE BLOCK
MB-226-4	THREADING CLUTCH SLEEVE
MB-226-5	THREADING CLUTCH SLEEVE NUT
MB-226-5-P	CLUTCH SLEEVE NUT PIN
MB-226-6	ADJUSTING NUT
MB-226-8	SHIFTING SLEEVE NUT
MB-226-9	SHIFTING SLEEVE - SHORT
MB-226-9-1	SHIFTING SLEEVE BUSHING - SHORT
MB-226-10	SHIFTING SLEEVE - LONG
MB-226-10-1	SHIFTING SLEEVE BUSHING - LONG
MB-226-12	CLOSING RING KEY
13-22	BALL BEARING
13-24	BALL BEARING
13-24-1	BALL BEARING

CHECK FOR AVAILABILITY 

NOTE: WHEN ORDERING PARTS, ALWAYS SPECIFY SERIAL NUMBER OF MACHINE.

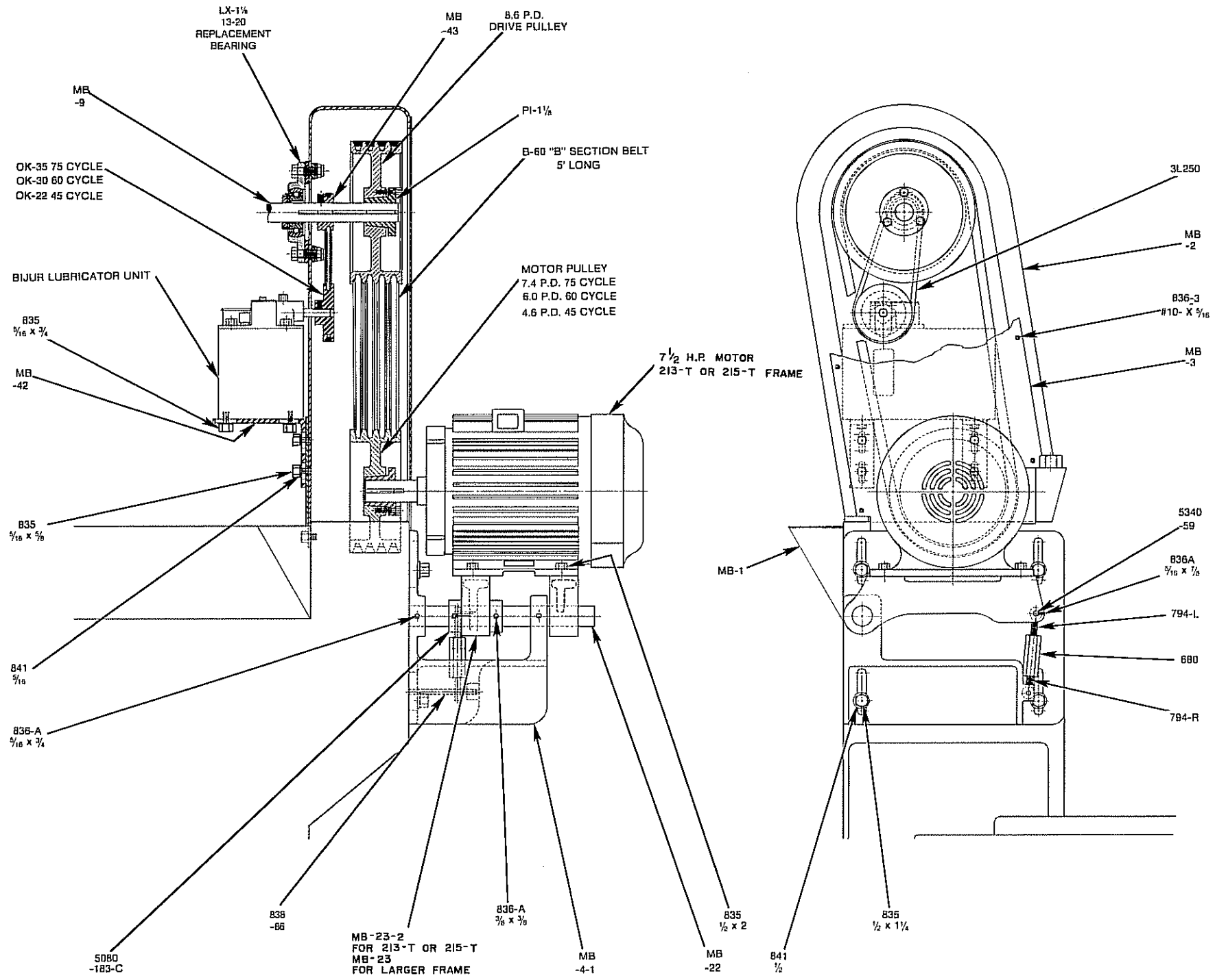


THREADING ATTACHMENT - SECTION THROUGH CLUTCHES

MOTOR DRIVE

680	CAM LEVER LINK NUT
794-L	CAM LEVER LINK - LEFT
794-R	CAM LEVER LINK - RIGHT
836-3	BUTTON HEAD SCREW #10 x 5/16
838-12	PIN
5080-183-C	HANDWHEEL SHAFT COLLAR
5340-59	PIN
MB-1	BASE
MB-2	"V" BELT GUARD
MB-3	"V" BELT GUARD COVER
MB-4-1	MOTOR BRACKET
MB-9	DRIVE SHAFT - LONG
MB-22	MOTOR BRACKET FULCRUM
MB-23	MOTOR MOUNT (FOR LARGER FRAMES)
MB-23-2	MOTOR MOUNT (FOR 213 OR 215 T FRAMES)
MB-42	BIJUR OILER BRACKET
MB-43	DRIVE PULLEY (OIL PUMP)
8.6 P.D.	DRIVEN PULLEY
7.4 P.D.	75 CYCLE MOTOR PULLEY
6.0 P.D.	60 CYCLE MOTOR PULLEY
4.6 P.D.	45 CYCLE MOTOR PULLEY
P1-1-1/8	BUSHING
3L-250	"V" BELT (OIL PUMP)
B-60	"B" SECTION BELT (MATCHED, SET OF 4)
D-2476ATE-L3	BIJUR LUBRICATING UNIT - LEFT HAND DRIVE
D-2250	RESERVOIR - RIGHT HAND
LX-1-1/8	SELF ALIGNING BEARING
OK-35	LUBRICATOR PULLEY (75 CYCLE)
OK-30	LUBRICATOR PULLEY (60 CYCLE)
OK-22	LUBRICATOR PULLEY (45 CYCLE)

NOTE: WHEN ORDERING PARTS, ALWAYS SPECIFY SERIAL NUMBER OF MACHINE.



MOTOR DRIVE

SECTION THROUGH DRIVE SHAFT - ENGINEERING DATA

MB-2	"V" BELT GUARD
MB-9	DRIVE SHAFT (LONG)
MB-43	DRIVE PULLEY (OIL PUMP)
MBSH-14-12	BEARING MOUNT VIBRATION ISOLATOR
MBSH-14-13	BEARING MOUNT VIBRATION ISOLATOR SPACER
LX-1-1/8	SELF ALIGNING BEARING
8.6 P.D.	DRIVE PULLEY
B-60	"B" SECTION BELT (MATCHED SET OF 4)
P1 x 1-1/8	BUSHING
3L-250	"V" BELT (OIL PUMP)
7Y-1-1/8	NUT - WASHER - TAPER SLEEVE

NOTE: WHEN ORDERING PARTS, ALWAYS SPECIFY SERIAL NUMBER OF MACHINE.

DRILL 2 HOLES AFTER ALIGNING SHAFT WITH BEARINGS ON OTHER END.

CLAMP TIGHT & DRILL WITH "D" (.246) DIA. DRILL 1" DEEP.

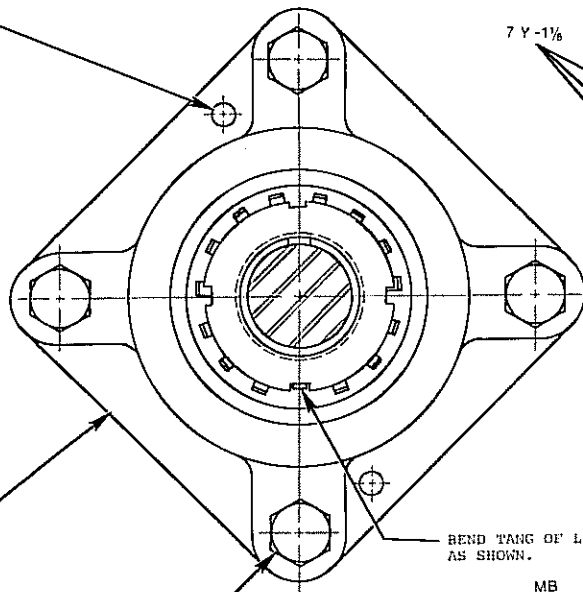
REAM .246 DIA. HOLE IN GUARD TO .250 DIA. & DRIVE IN DOWEL PINS.

LOCATE BOTH HOLES IN ASSEMBLY.

B38
1/4 x 1

LX-1 1/4

B35
7/16 x 1 3/4



BEND TANG OF LOCK WASHER AS SHOWN.

MB
-2

LOCKNUT & WASHER ASSEMBLY PROCEDURE

- 1) MOUNT THE BEARING ON TAPERED SEAT OF ADAPTER SLEEVE WITH LOCKNUT AND WASHER MOUNTED SNUGLY AGAINST THE FACE OF THE BEARING INNER RING. HAND TIGHTEN UNTIL A SLOT AND A TANG LINE UP.
- 2) MARK LOCK WASHER TANG AND MATING SLOT.
- 3) MARK THE 11th TANG CLOCKWISE FROM ORIGINAL MARK.
- 4) TIGHTEN LOCKNUT UNTIL MARKED (SLOT) AREA LINES UP WITH THE 11th TANG.
- 5) PEEN LOCK WASHER TANG INTO LOCK NUT SLOT.

MBSH
-14-12

B40F
7/16

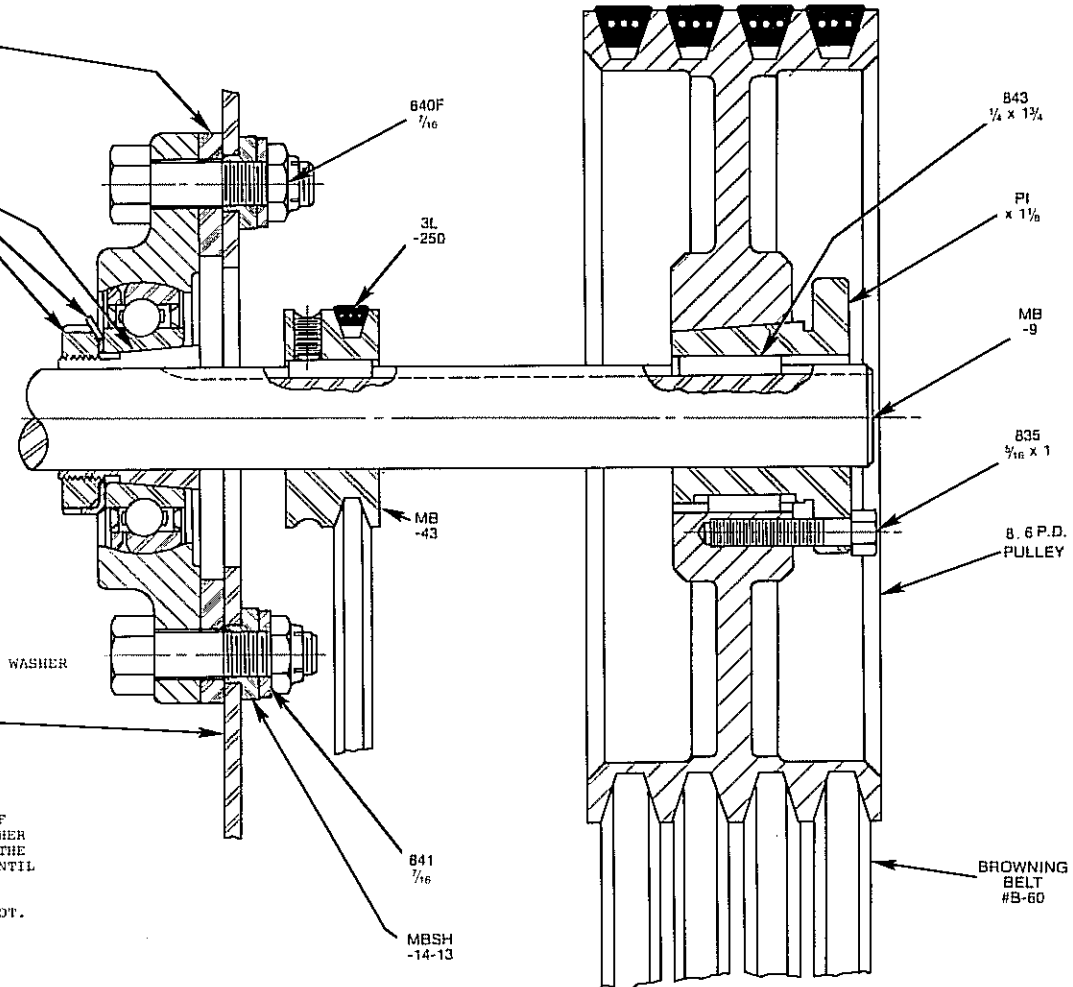
7 Y -1 1/8

3L
-250

MB
-43

B41
7/16

MBSH
-14-13



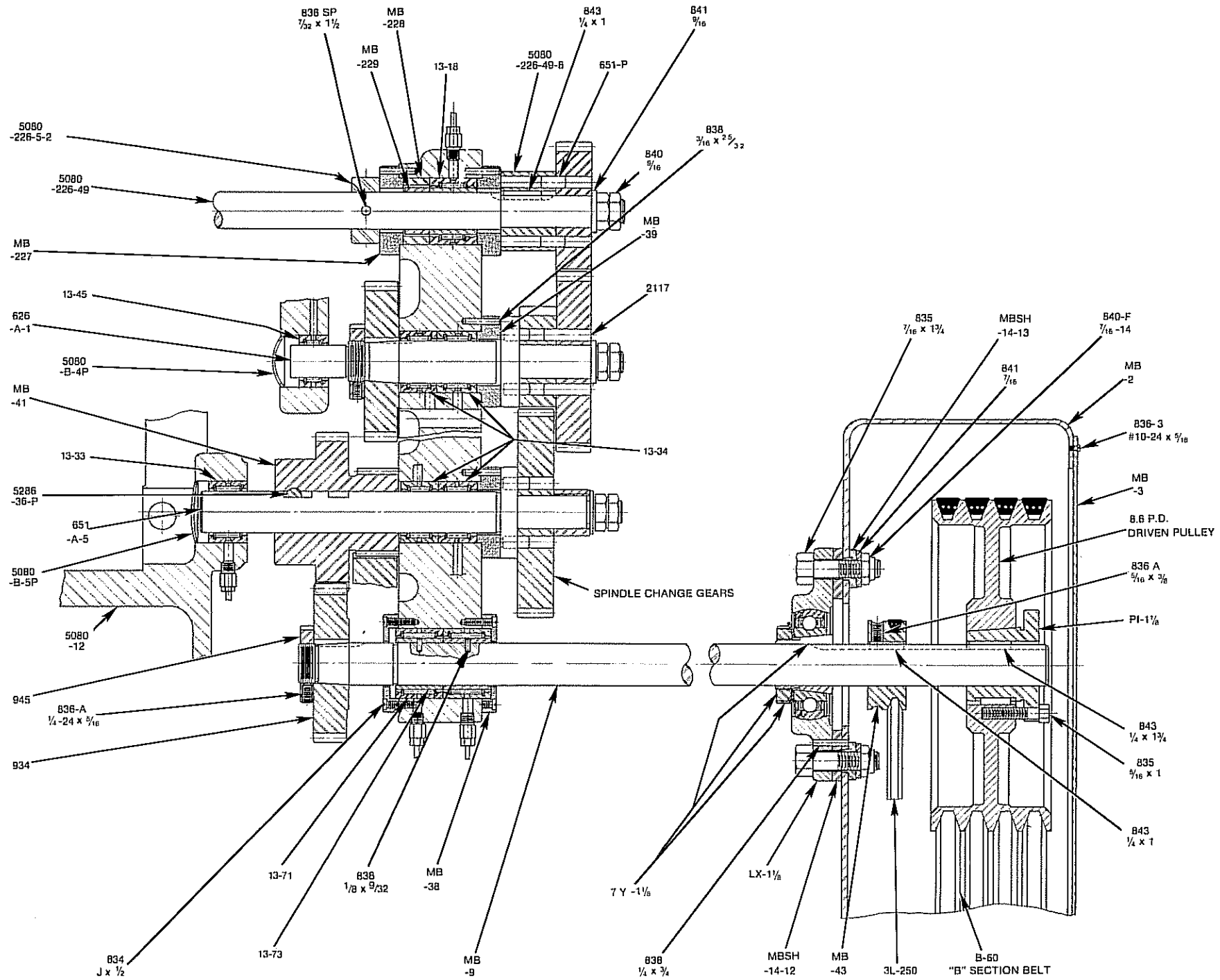
NOTE: MB-43 PULLEY IS LOCATED APPROXIMATELY 1/4" FROM MB-2.

NOTE: TAPER SLEEVE IN BEARING MUST BE TEMPORARILY KEED TO MB-9 SHAFT WHEN TIGHTENING LOCK NUT. REMOVE KEY AFTER ASSEMBLY.

SECTION THROUGH DRIVE SHAFT

626-A-1	SPINDLE CHANGE GEAR STUD	MB-39	THRUST PLATE
651-A-5	DRIVE SHAFT	MB-41	COMPOUND DRIVE GEAR
651-P	SPINDLE CHANGE GEAR DRIVING PIN	MB-43	DRIVE PULLEY
836-3	BUTTON HEAD SCREW #10-24x5/16" LONG	MB-227	THRUST PLATE
838-SP	SPRING PIN	MB-228	SPACER - LARGE
934	SPINDLE INTERNAL GEAR PINION	MB-229	SPACER - SMALL
945	SPINDLE CHANGE GEAR STUD NUT (LEFT HAND)	MBSH-14-12	BEARING MOUNT VIBRATION ISOLATOR
2117	THREADING CHANGE GEAR DRIVE PINS	MBSH-14-13	BEARING MOUNT VIBRATION ISOLATOR SPACER
5080-12	BED	13-18	MCGILL ROLLER BEARING & INNER RING
5080-226-5-2	SHAFT COLLAR	13-45	MCGILL ROLLER BEARING
5080-226-49	THREADING SHAFT	13-33	MCGILL ROLLER BEARING
5080-226-49-8	THREADING SHAFT COLLAR	13-34	MCGILL ROLLER BEARING
5080-B-4-P	WELCH PLUG 1-3/8" DIAMETER	13-71 & 13-73	MCGILL ROLLER BEARING & INNER RING
5080-B-5-P	WELCH PLUG 1-5/8" DIAMETER	8.6 P.D.	DRIVEN PULLEY
5286-36-P	DRIVE SHAFT SPROCKET PIN	B-60	"B" SECTION BELT (MATCHED, SET OF 4)
MB-2	"V" BELT GUARD	LX-1-1/8	SELF ALIGNING BEARING (WITH 7Y-1-1/8)
MB-3	"V" BELT GUARD COVER	PL-1-1/8	BUSHING
MB-9	DRIVE SHAFT - LONG	3L-250	"V" BELT (OIL PUMP)
MB-38	OUTER PLATE	7Y-1-1/8	NUT - WASHER - TAPER SLEEVE

NOTE: WHEN ORDERING PARTS, ALWAYS SPECIFY SERIAL NUMBER OF MACHINE.



SECTION THROUGH DRIVE SHAFT

STRAINERS, OIL GUARDS & ELECTRICAL BOX MOUNT

207-1	STRAINER TOP
207-S	CUTTING OIL STRAINER
208	STRAINER BOTTOM
849-P-1	STRAINER PIPE
957	STRAINER ROD
MB-5-B	STRAINER
MB-7	CUTTING OIL COMPARTMENT PLATE
MB-100-10-1	LOWER HORIZONTAL SUPPORT
MB-100-11	VERTICAL SUPPORT
MB-100-12	TOP HORIZONTAL SUPPORT
MB-100-13-1	CENTER HORIZONTAL SUPPORT
MB-100-14	BRACE
MB-100-15	LOWER SUPPORT BRACKET
MB-100-16	TOP SUPPORT
MB-500-50	OIL GUARD SUPPORT
MB-500-53	OIL GUARD TOP ASSEMBLY WITH STOP
MB-500-55-F	SIDE GUARD - FRONT
MB-500-55-R	SIDE GUARD - REAR
MB-500-56-1	FRONT AND REAR PLATE
MB-500-56-3	REAR PLATE WITH CUTOUT
MB-500-56-4	SLIP ON SPRING RECEPTACLES
MB-500-56-5	DZUS FASTENER WING HEAD STUD
MB-500-56-6	TRANSOM CATCH

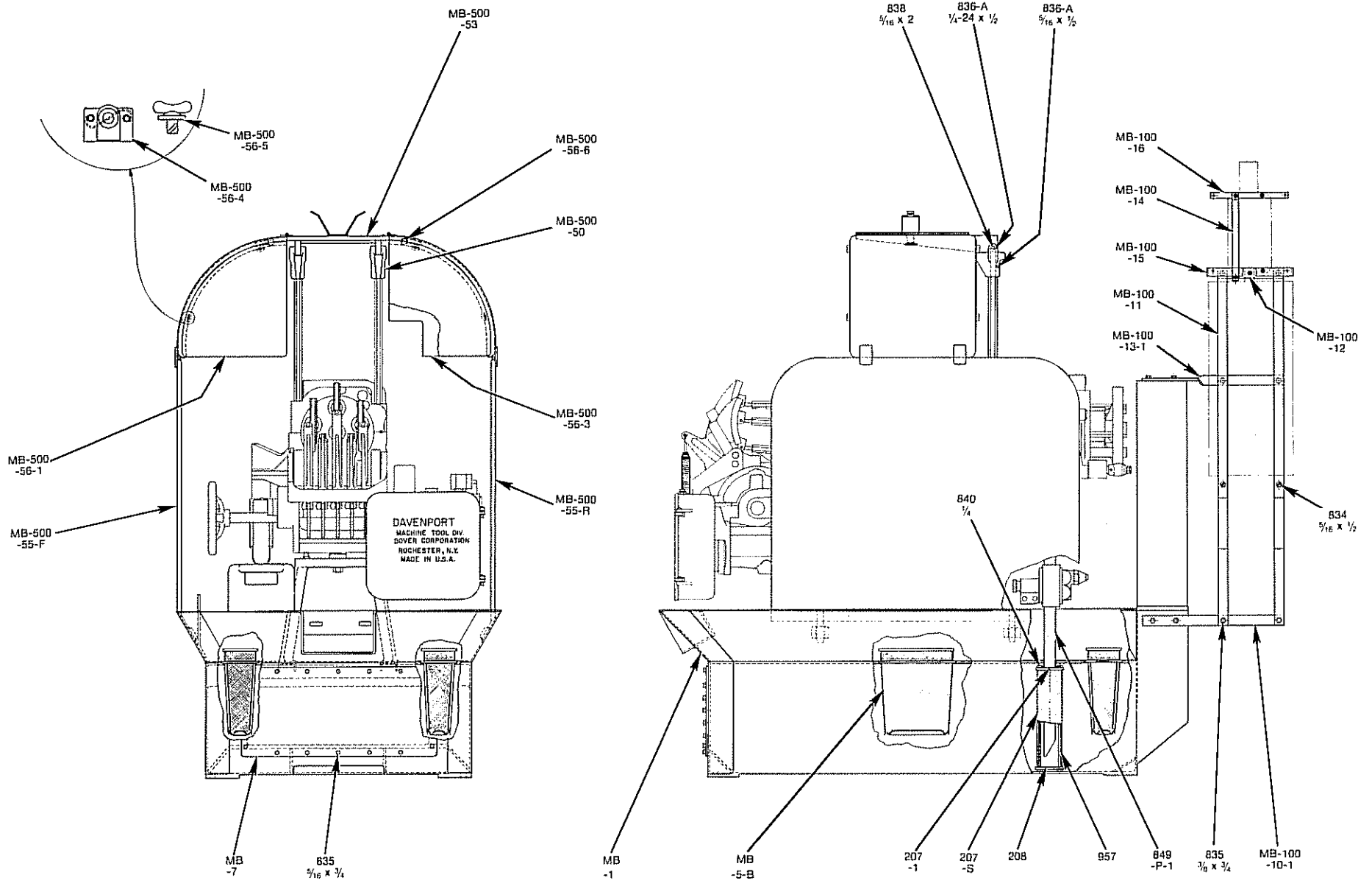
207-SA OIL STRAINER ASSEMBLED CONSISTS OF:
207-1, 207-S, 208, 957.

MB-500-56-SA OVERHEAD GUARD ASSEMBLED CONSISTS
OF: MB-500-53, MB-500-56-1, MB-500-56-3,
MB-500-56-4, MB-500-56-5, MB-500-56-6.

MB-100-10-SA SWITCH BRACKET ASSEMBLED CONSISTS
OF: MB-100-10, MB-100-11-1, MB-100-12,
MB-100-13-1.

MB-100-15-SA SWITCH BRACKET ASSEMBLED CONSISTS
OF: MB-100-14, MB-100-15, MB-100-16.

NOTE: WHEN ORDERING PARTS ALWAYS SPECIFY SERIAL NUMBER OF MACHINE.

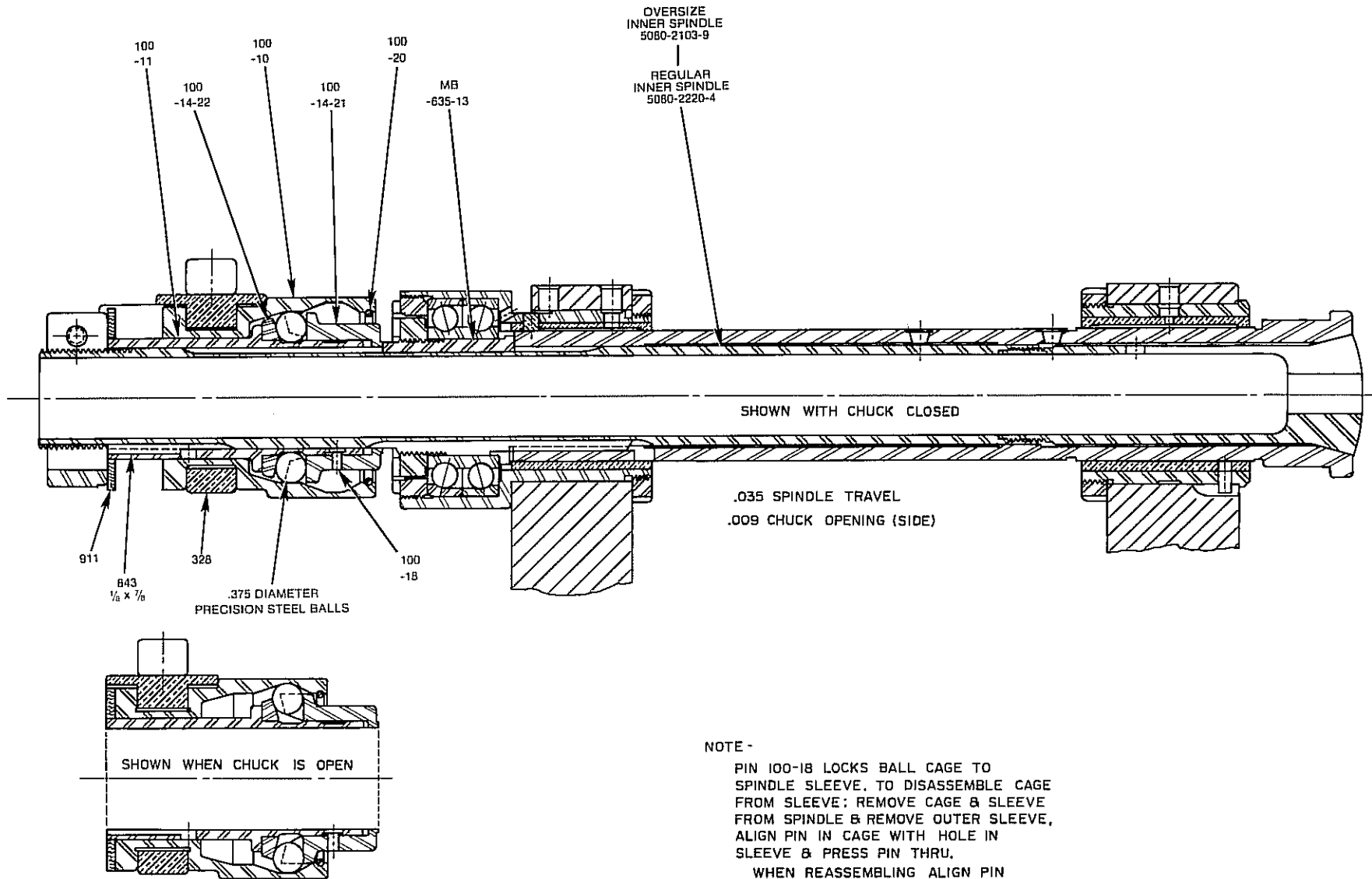


STRAINERS, OIL GUARDS & ELECTRICAL BOX MOUNT

BALL CHUCKING

100-10	OUTER SLEEVE
100-11	INNER SLEEVE
100-20	RETAINER
100-14-21	BALL CAGE
100-14-22	WASHER
100-18	LOCK PIN
843	KEY 1/8 SQUARE x 7/8 LONG
1467-50	SCREW
5072-11-1	REVOLVING HEAD SUPPORT ROLL ROD (REPLACES 5072-30 & 835 5/8 x 1-3/4 SHOWN ON PAGES 17 & 19.)
5080-2103-9	OVERSIZE INNER SPINDLE
5080-2220-4	REGULAR INNER SPINDLE
MB-635-13	BALL CHUCKING EXTENSION

NOTE: WHEN ORDERING PARTS, ALWAYS SPECIFY SERIAL NUMBER OF MACHINE.



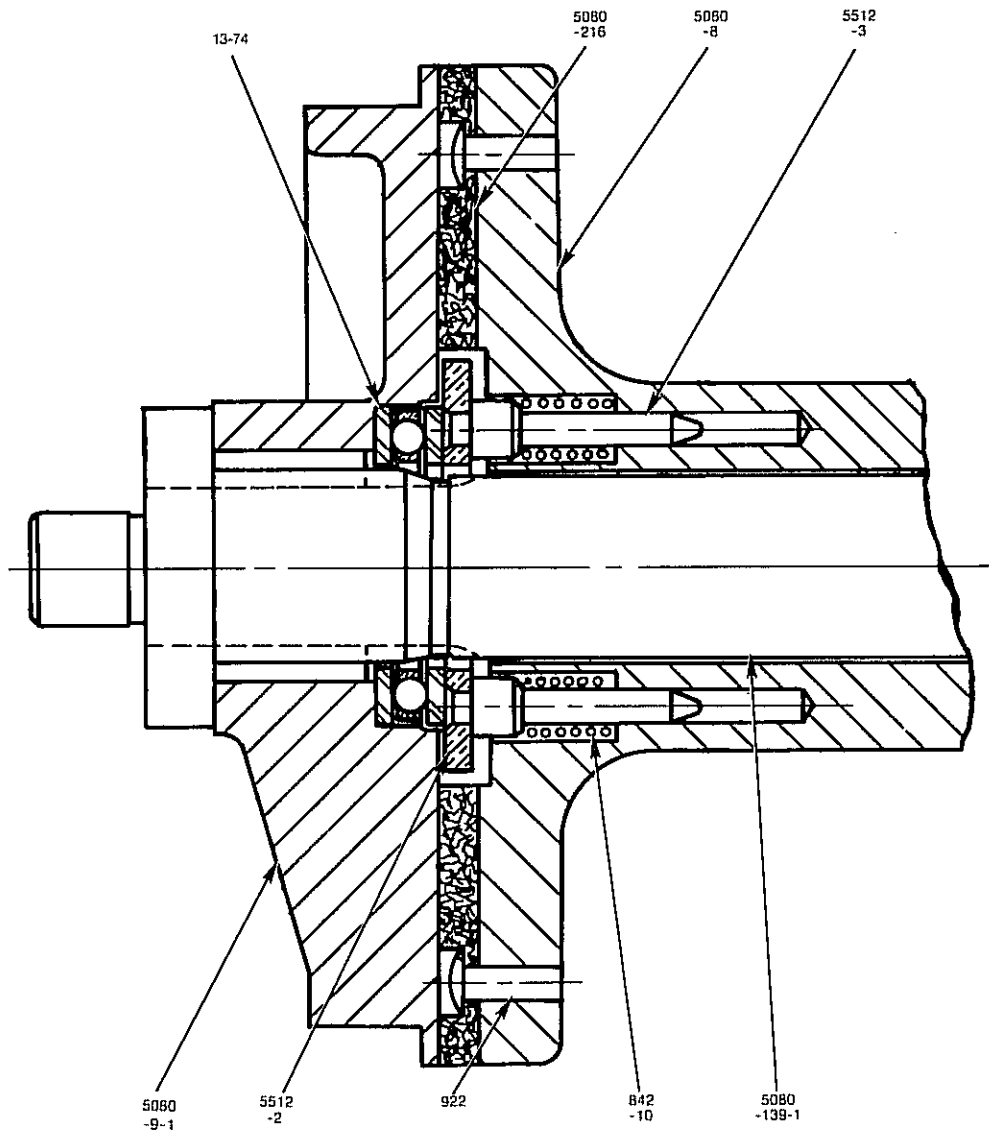
NOTE -

PIN 100-18 LOCKS BALL CAGE TO SPINDLE SLEEVE. TO DISASSEMBLE CAGE FROM SLEEVE: REMOVE CAGE & SLEEVE FROM SPINDLE & REMOVE OUTER SLEEVE, ALIGN PIN IN CAGE WITH HOLE IN SLEEVE & PRESS PIN THRU. WHEN REASSEMBLING ALIGN PIN WITH GROOVE IN SLEEVE & PRESS PIN FLUSH WITH CAGE DIA. CHECK THAT CAGE RIDES FREE ABOUT SLEEVE.

HIGH SPEED CLUTCH

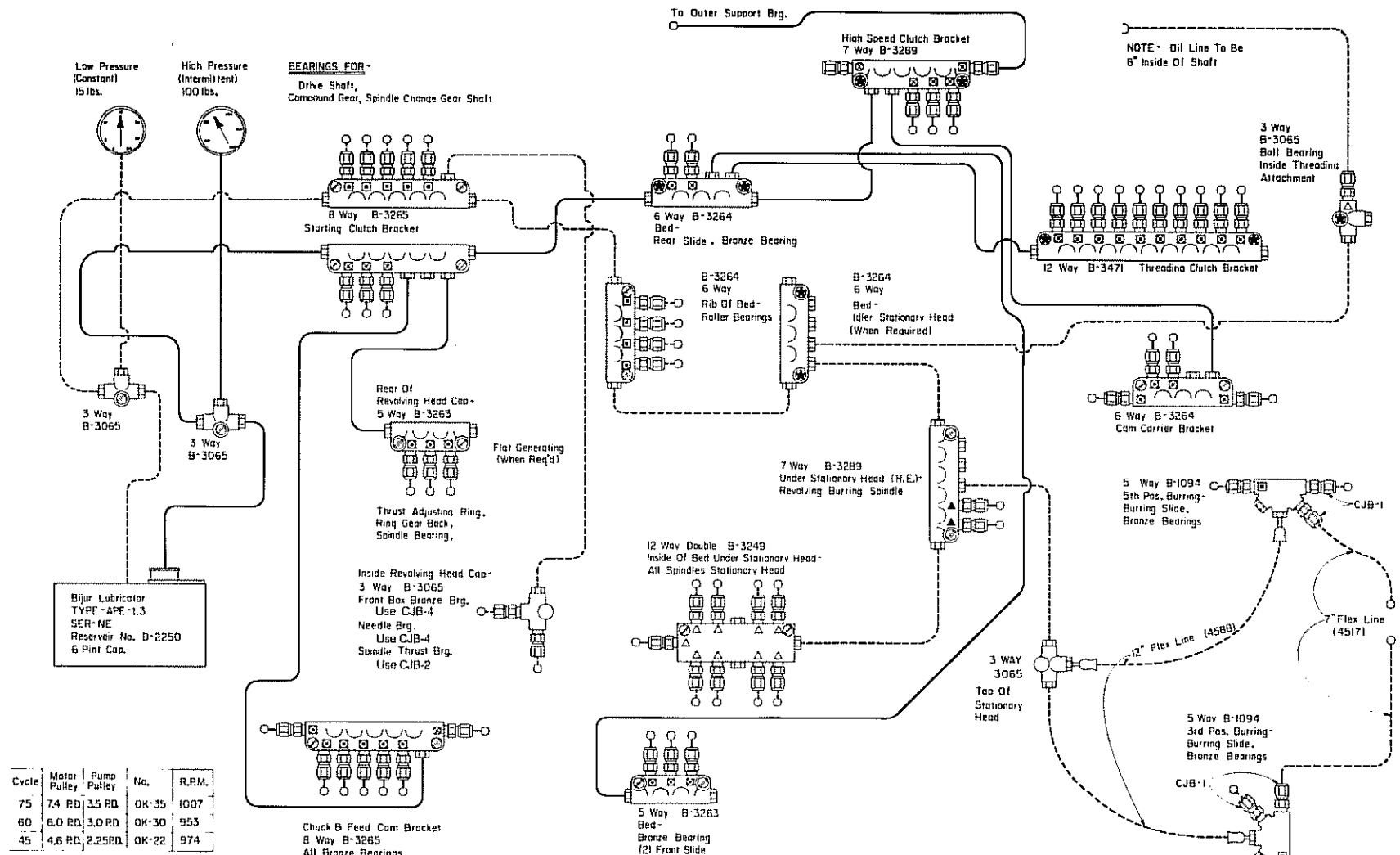
842-10	SPRING
922	RIVET
5080-8	CLUTCH BODY - LONG
5080-9-1	CLUTCH BODY - SHORT
5080-139-1	REAR WORM DRIVE SHAFT - LONG
5080-216	HIGH SPEED CLUTCH BODY DISC
5512-2	DRIVING CLUTCH BODY PLUNGER WASHER
5512-3	DRIVING CLUTCH BODY WASHER PLUNGER
	EW 1-1/8 THRUST BEARING

NOTE: WHEN ORDERING PARTS, ALWAYS SPECIFY SERIAL NUMBER OF MACHINE.



NOTE: THIS STYLE CLUTCH WITH THRUST BEARING BECAME STANDARD ON MACHINE SERIAL NO. 10718. FOR MACHINES PRIOR TO THIS SEE PAGES 19 & 20.

HIGH SPEED CLUTCH



Low Pressure
(Constant)
15 lbs.

High Pressure
(Intermittent)
100 lbs.

BEARINGS FOR -
Drive Shaft,
Compound Gear, Spindle Change Gear Shaft

NOTE - Oil Line To Be
6" Inside Of Shaft

Bijur Lubricator
TYPE - APE - L3
SER - NE
Reservoir No. D-2250
6 Pint Cap.

Cycle	Motor Pulley	Pump Pulley	No.	R.R.M.
75	7.4 RD	3.5 RD	OK-35	1007
60	6.0 RD	3.0 RD	OK-30	953
45	4.6 RD	2.25 RD	OK-22	974

Cam Setting (R)	Cycle Time	Discharge Per Cycle	Discharge Per Hour
2	25 Min.	11 Cu. Cm.	25 Cu. Cm./Hr.

Ambient Temperature F (Oil Temperature)	Low Pressure	High Pressure	Oil Viscosity In Saybolt Universal Seconds	Oil
80	15 Lbs.	100 Lbs.	600 S.U.S.	W-20

If The Oil Temperature Increases The Oil Pressure Will Drop In About The Same Percentage

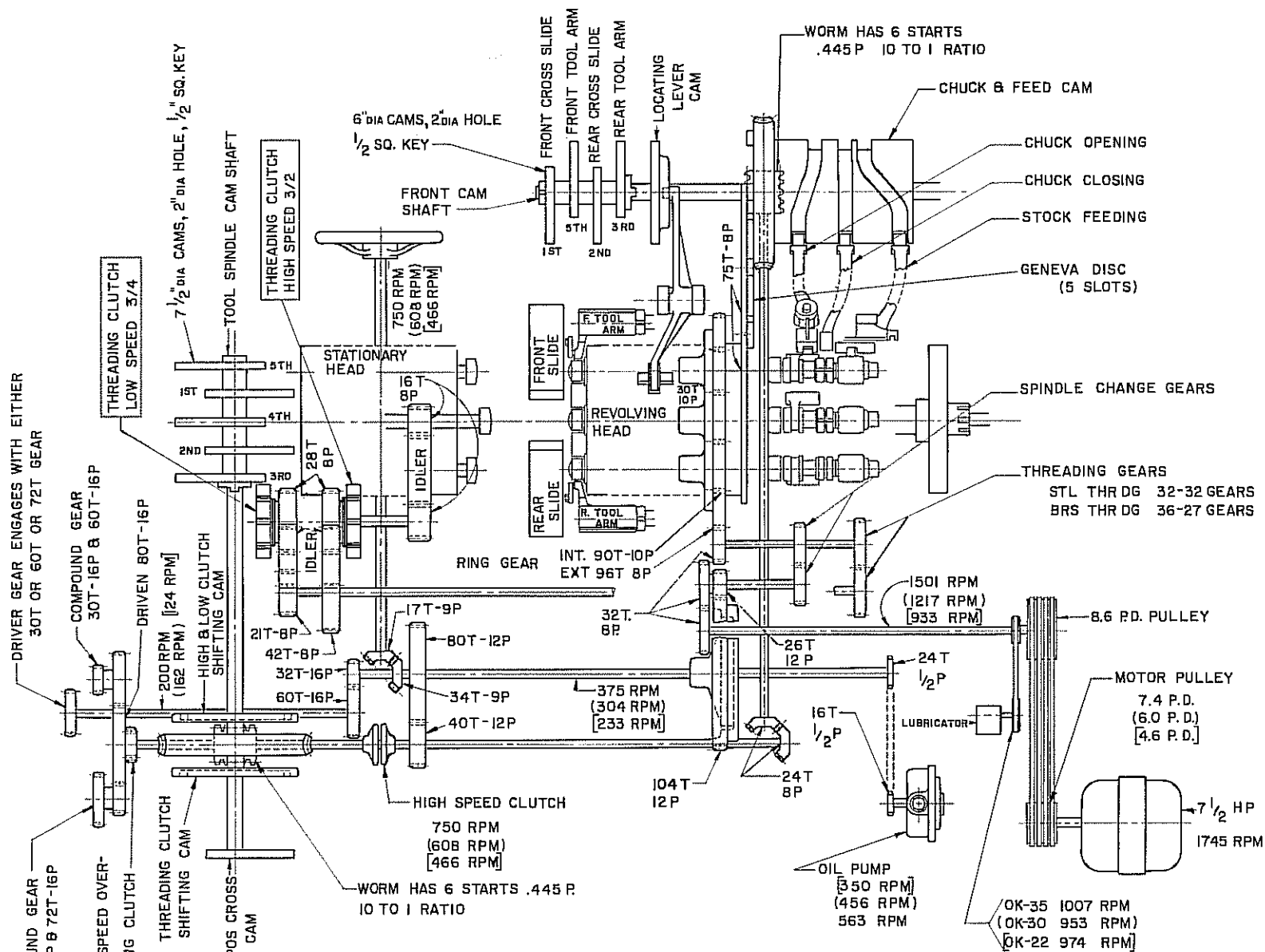
Meter Unit Types	Front View	Rear View
CJB-00	□	□
CJB-0	△	△
FJB-0	○	○
FJB-2	⊗	⊗
CJB-2	▲	▲

Low Pressure Line (Chrome)
High Pressure Line (Copper Or Br.)

○ 2446-36, 2446-32, B 2446-34 Ass'y

NOTE: On Both High & Low Pressure
1) Lines From Junction To Junction = .106 I.D.
2) Lines From Meter Units To Bearings = .046 I.D.

Adapter 2446-36	Sleeve 2446-32	Bushing 2446-34	Plug 2446-35	Nut 2446-33
--------------------	-------------------	--------------------	-----------------	----------------

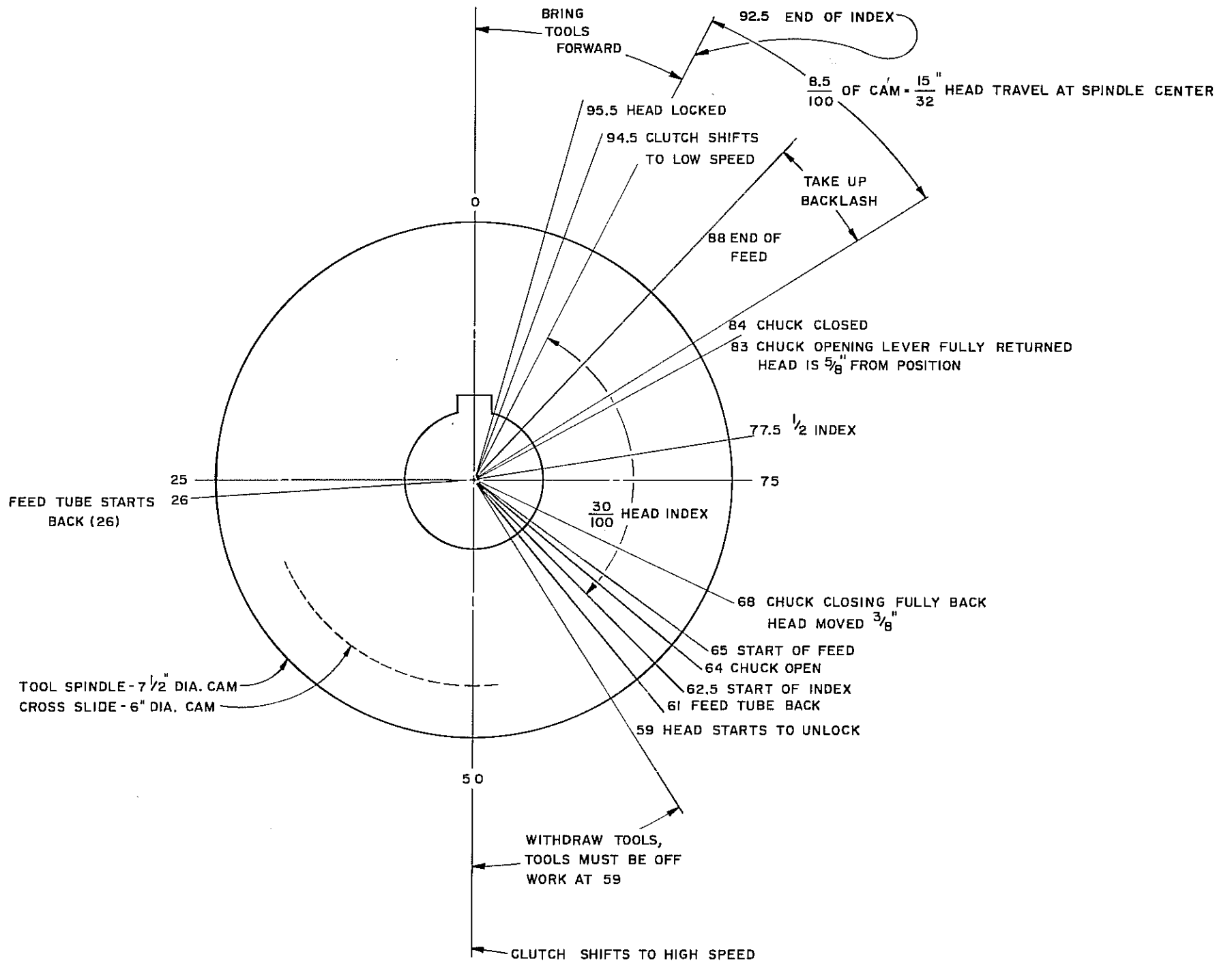


GEAR LAYOUT OF MODEL "B"

75 CYCLE

DAVENPORT MACHINE TOOL DIV.
DOVER CORPORATION
ROCHESTER, NEW YORK

NOTE- 1) FIGURES IN BRACKETS []
FOR 45 CYCLE MACHINE
2) FIGURES IN PARENTHESIS ()
FOR 60 CYCLE MACHINE



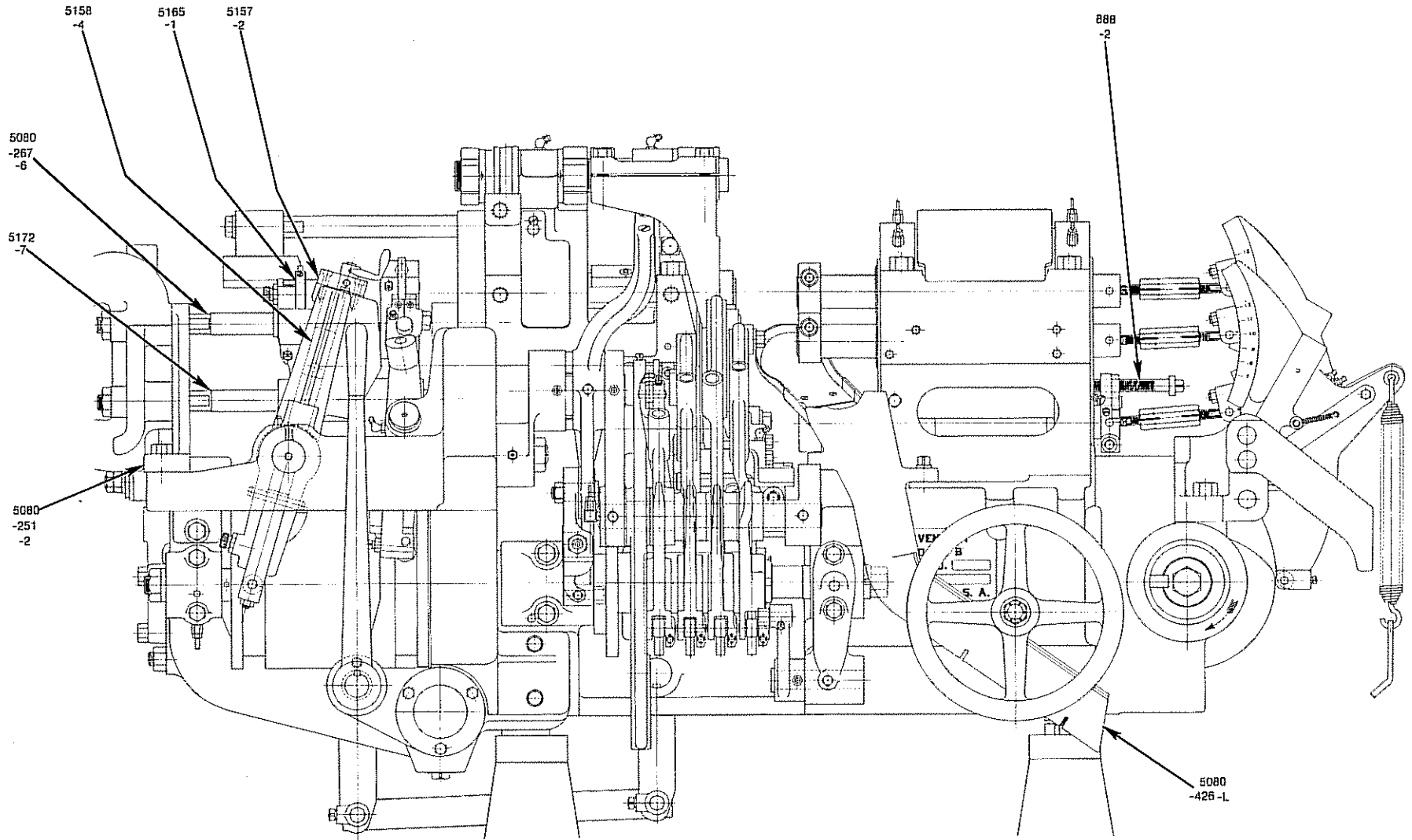
TIMING CHART

Extended Bed Parts

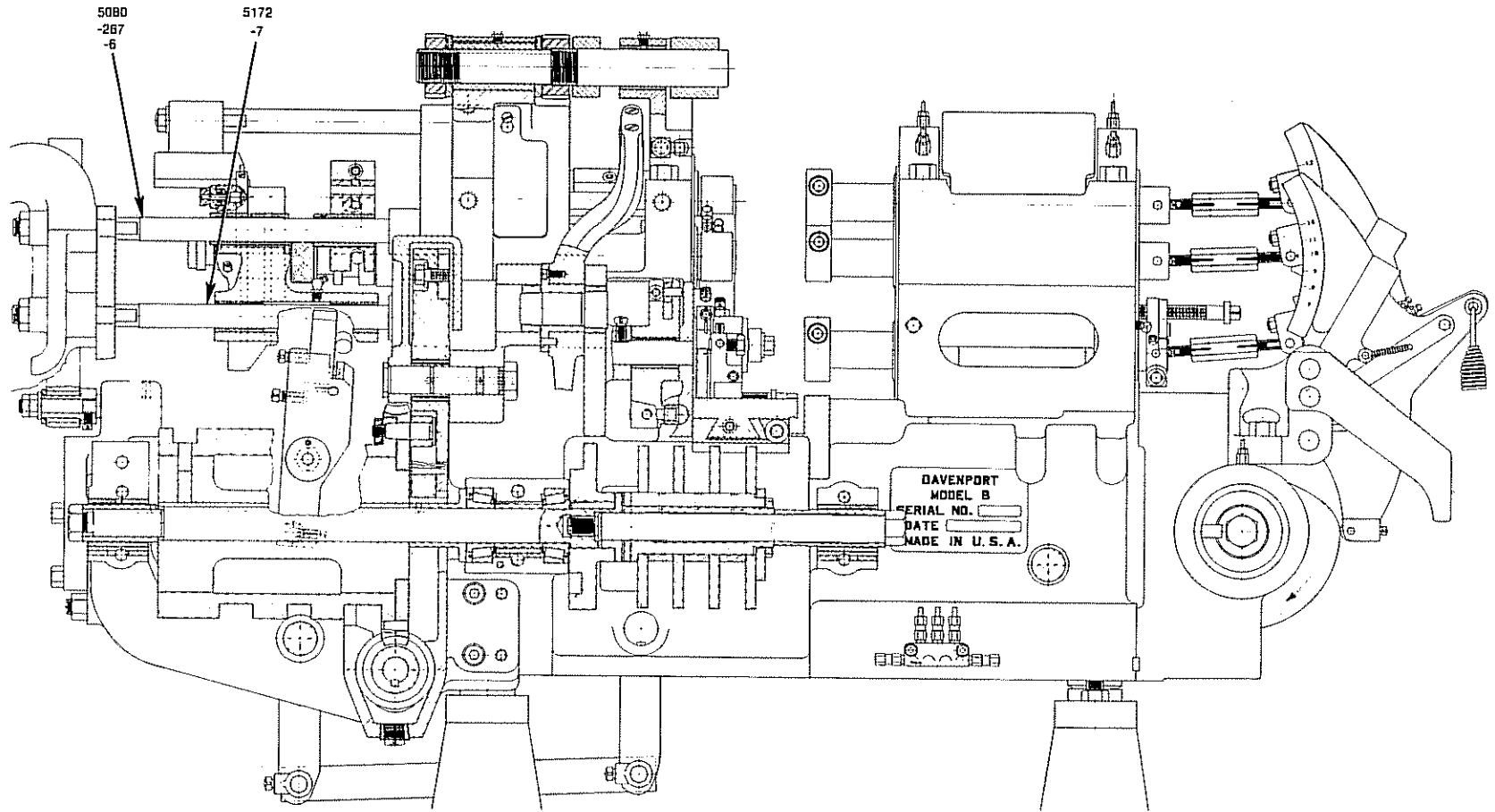
PARTS FOR EXTENDED BED MACHINE

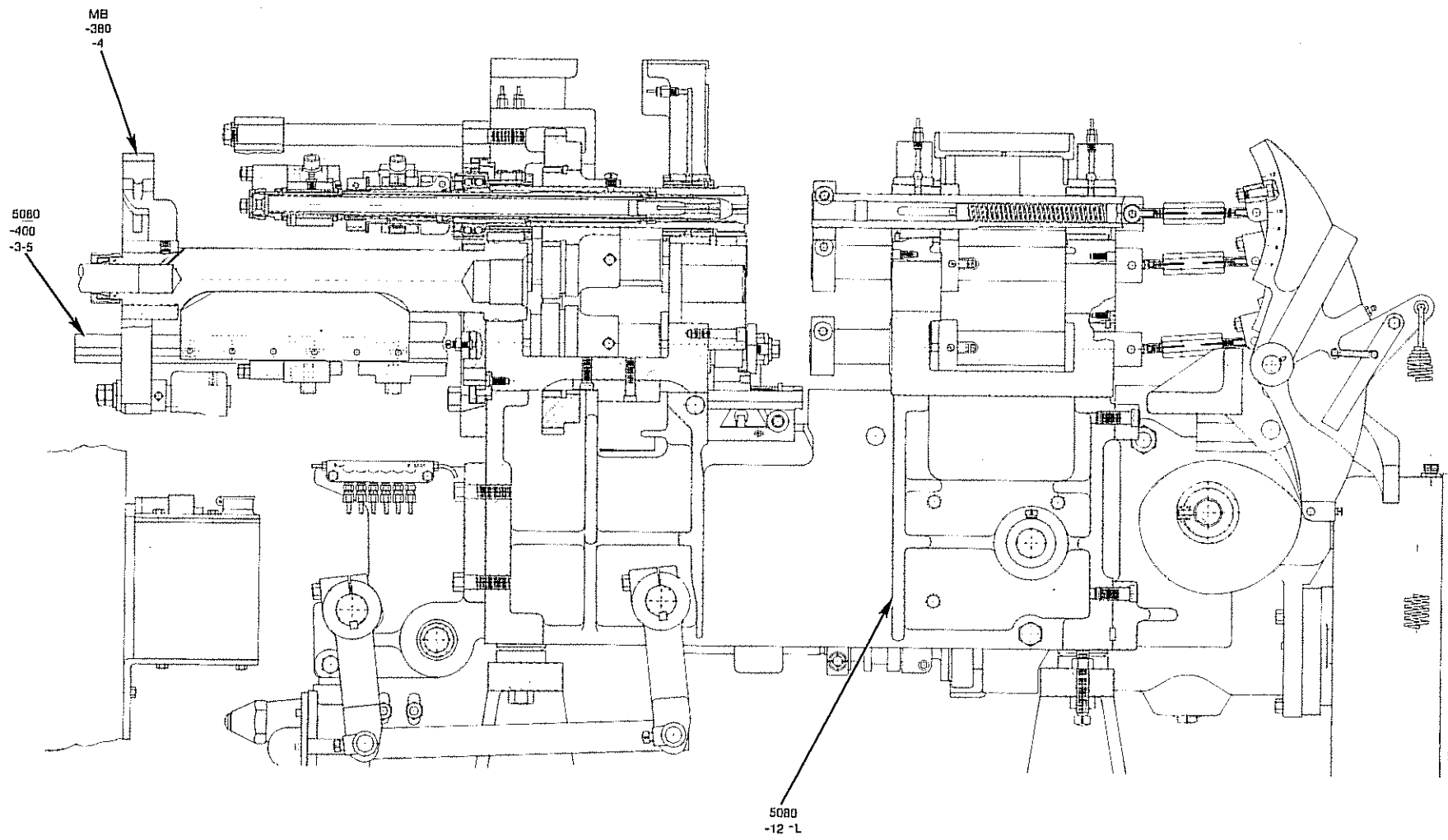
623-44	TOOL SPINDLE
888-2	STOCK STOP SCREW
5080-12-L	EXTENDED BED
5080-139-5	REAR WORM DRIVE SHAFT LONG (EXTENDED BED)
5080-141-12	STARTING CLUTCH DRIVE SHAFT (EXTENDED BED)
5080-226-108	THREADING SHAFT (EXTENDED BED)
5080-251-2	SLIDE ROD OUTER SUPPORT
5080-267-6	OUTER SUPPORT SLIDE ROD
5080-382-8-1	INNER WIRE CASE CARRIER
5080-410-11-1	INNER TUBE
5080-410-22-1	OUTER TUBE
5080-636-10	FEED TUBE (REGULAR 4-1/2" FEED)
5080-2105-3	FEED TUBE (OVERSIZE 4-1/2" FEED)
5157-2	FEED SLIDE GUIDE SCREW BLOCK
5158-4	FEED LEVER ADJUSTING BLOCK
5159-3	FEED SLIDE GUIDE ADJUSTING BLOCK
5165-1	FEED SLIDE GUIDE LATCH
5172-7	OUTER SUPPORT SLIDE ROD
MB-1-L	BASE FOR EXTENDED BED
MB-9-16	DRIVE SHAFT (EXTENDED BED)
MB-226-54-17	THREADING SPINDLE
MB-380-4	REVOLVING HEAD SUPPORT RING
5080-426-L	WORK CHUTE

PARTS FOR EXTENDED BED MACHINE

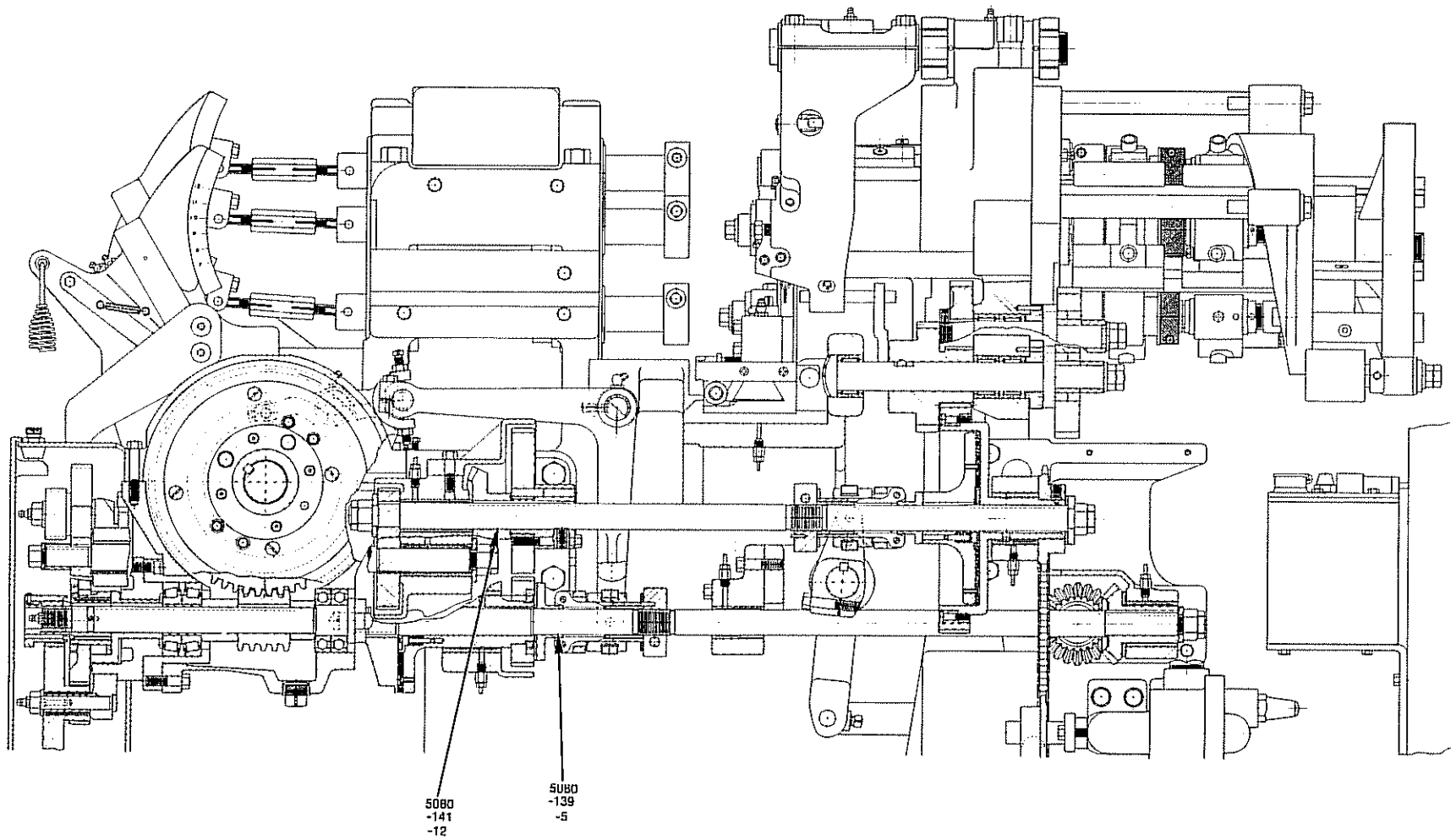


FRONT VIEW - EXTENDED BED

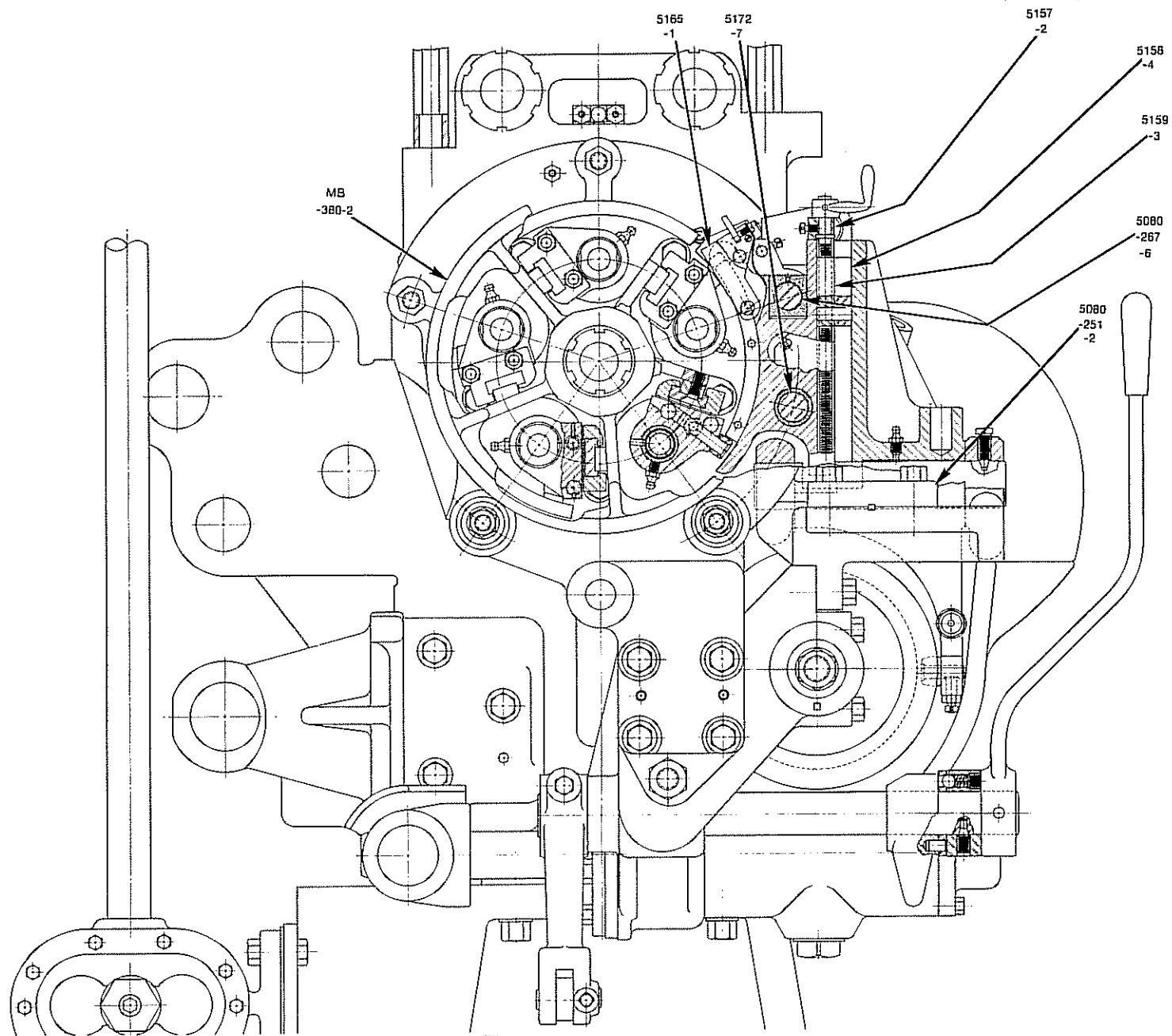




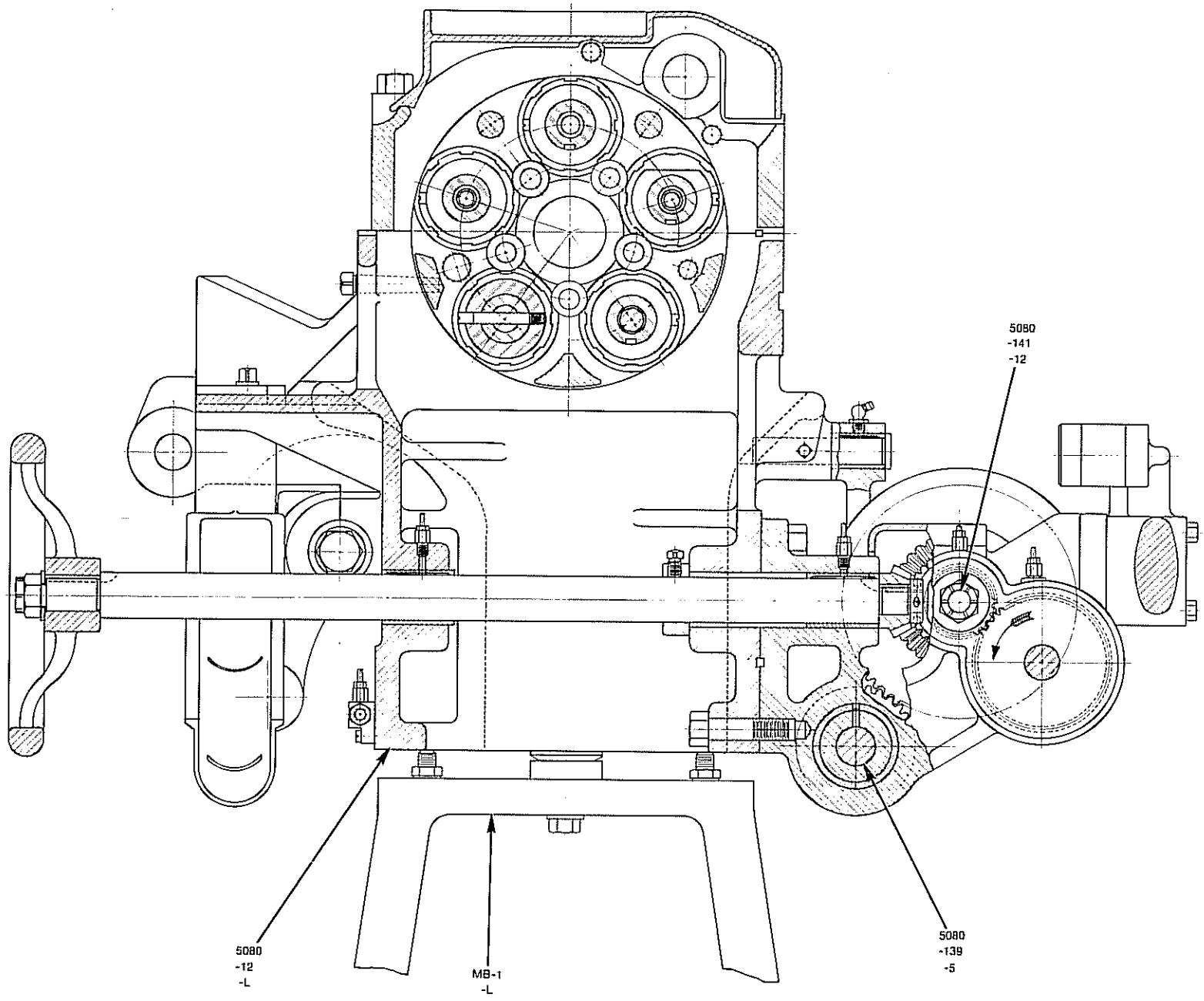
SECTION THROUGH WORK SPINDLE CARRIER & STATIONARY HEAD - EXTENDED BED



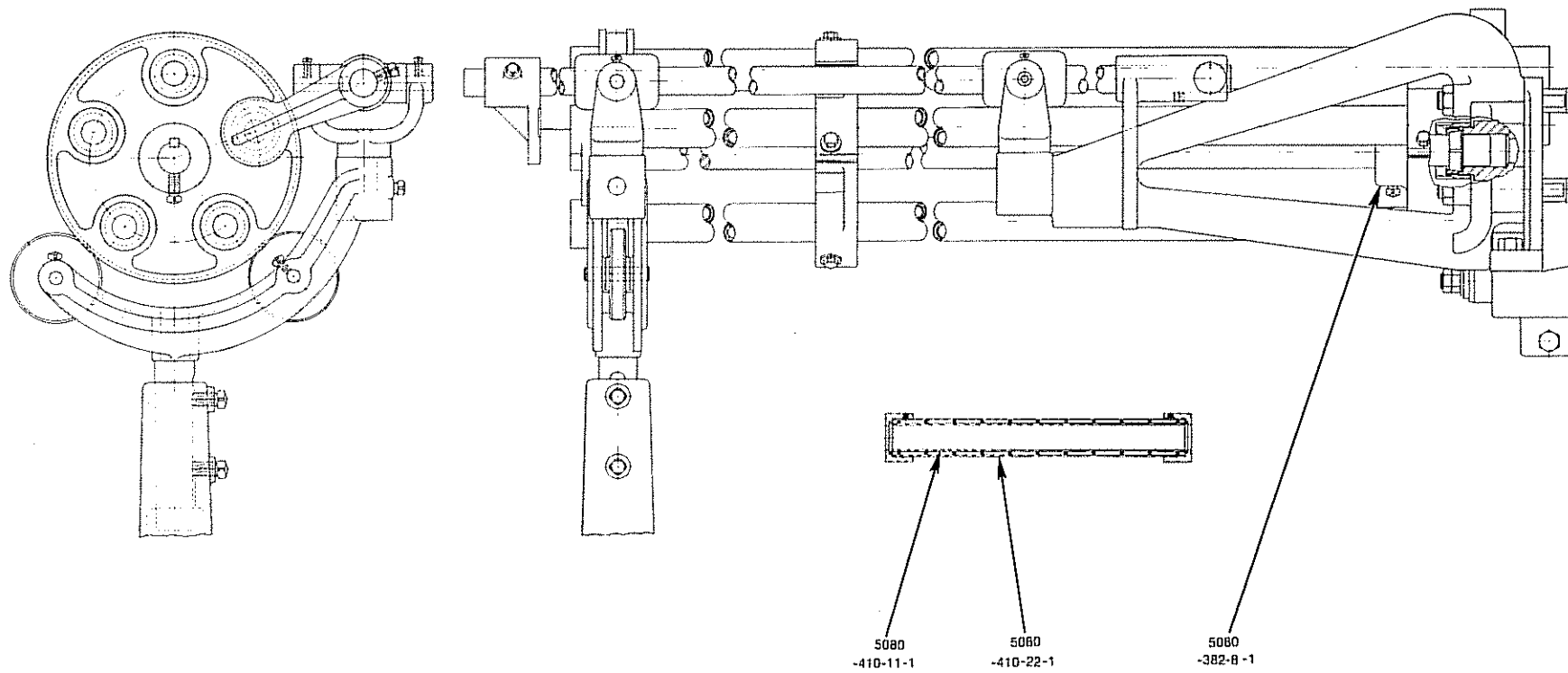
REAR VIEW - SECTION THROUGH SHAFTS - EXTENDED BED



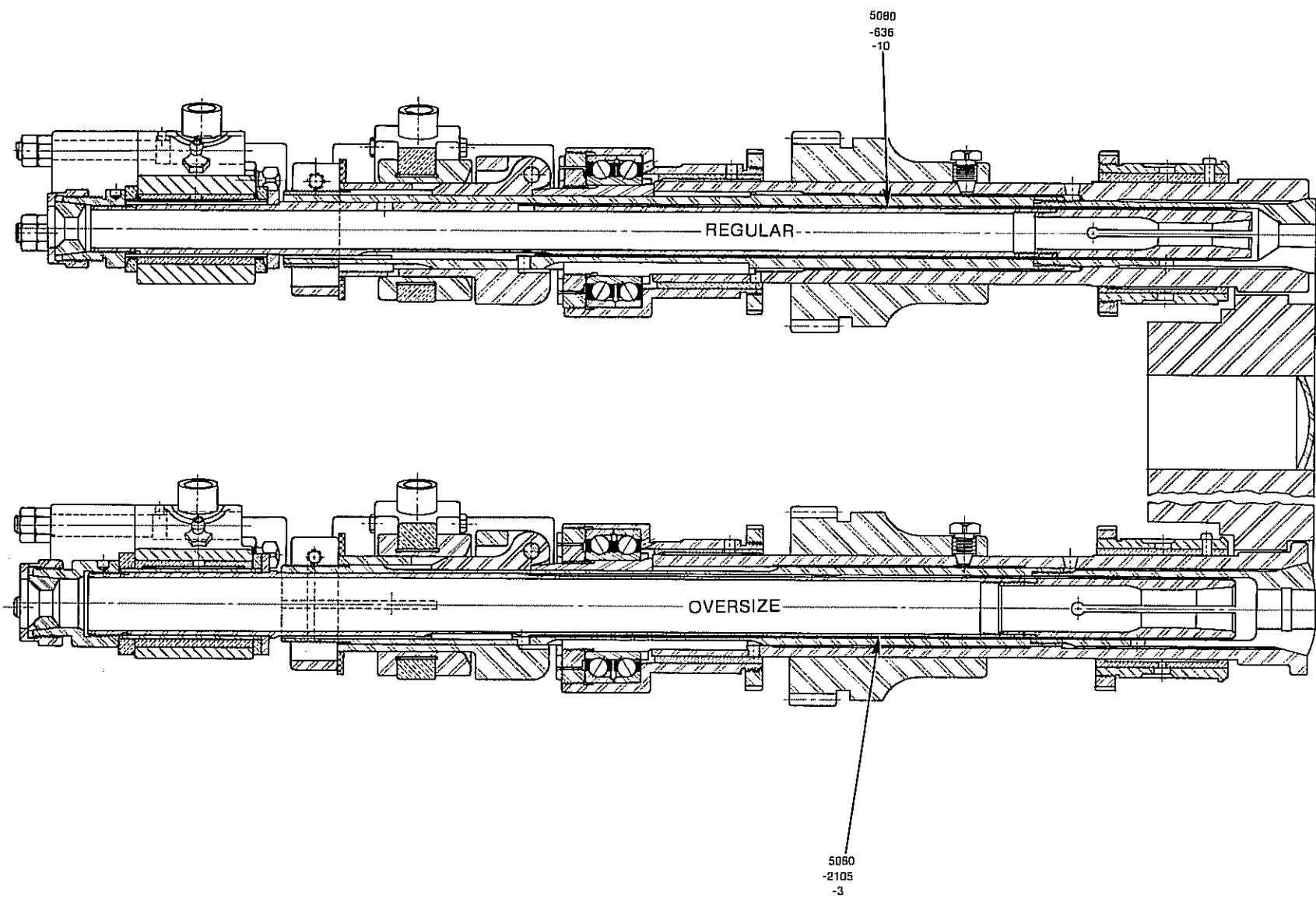
LEFT END VIEW - EXTENDED BED



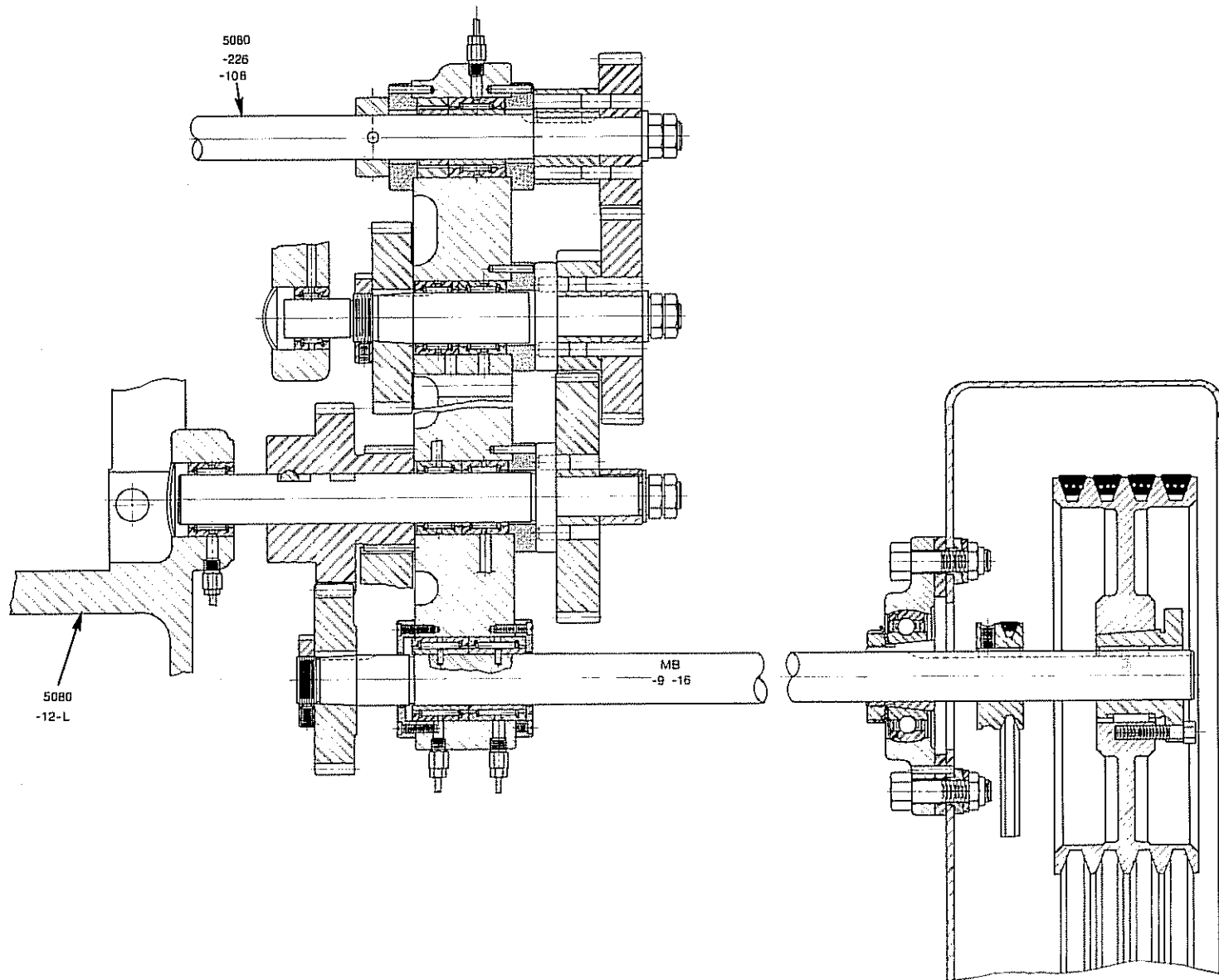
SECTION THROUGH HANDWHEEL SHAFT - EXTENDED BED



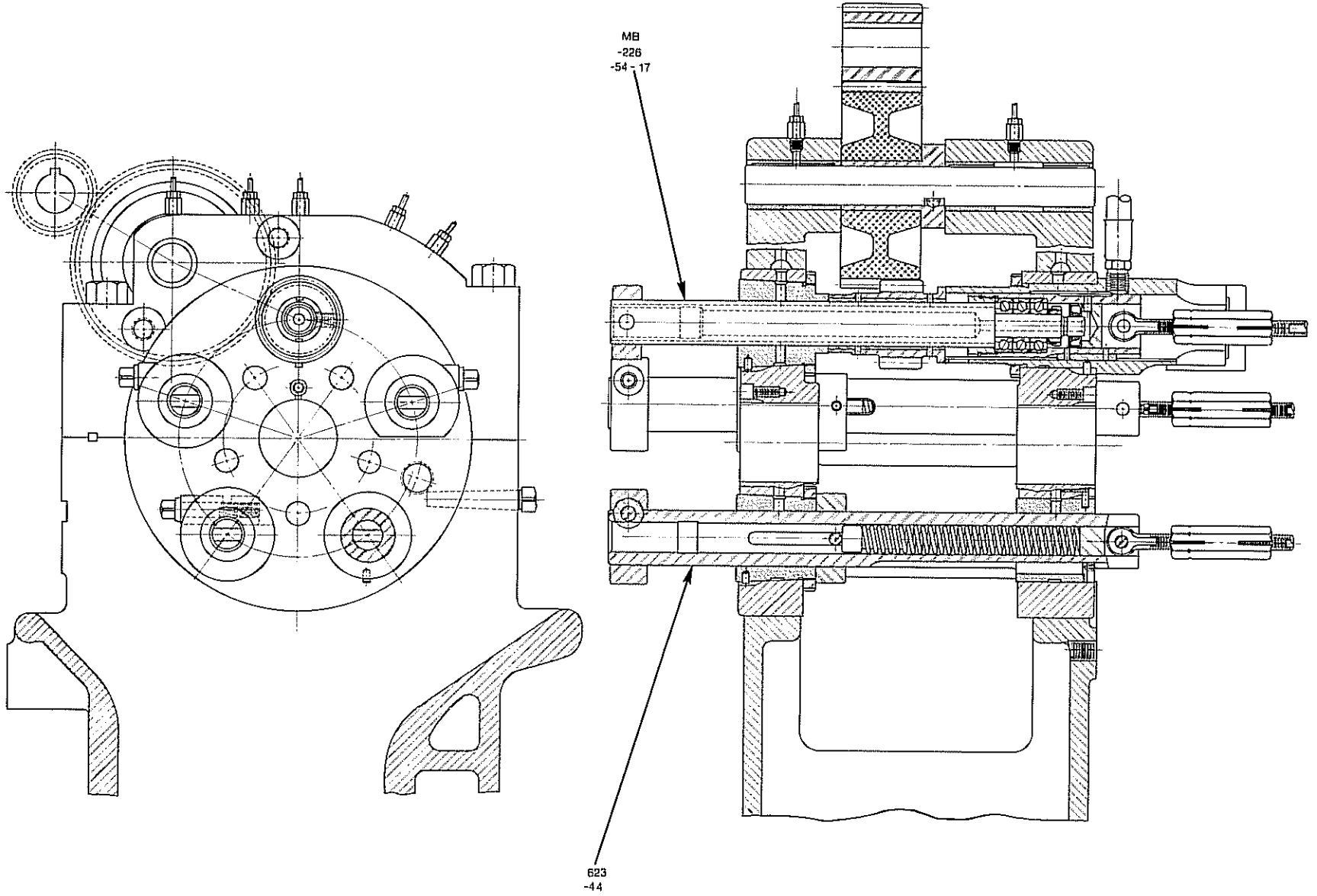
WIRE CASE CARRIER & STOCK LOADING MECHANISM - EXTENDED BED

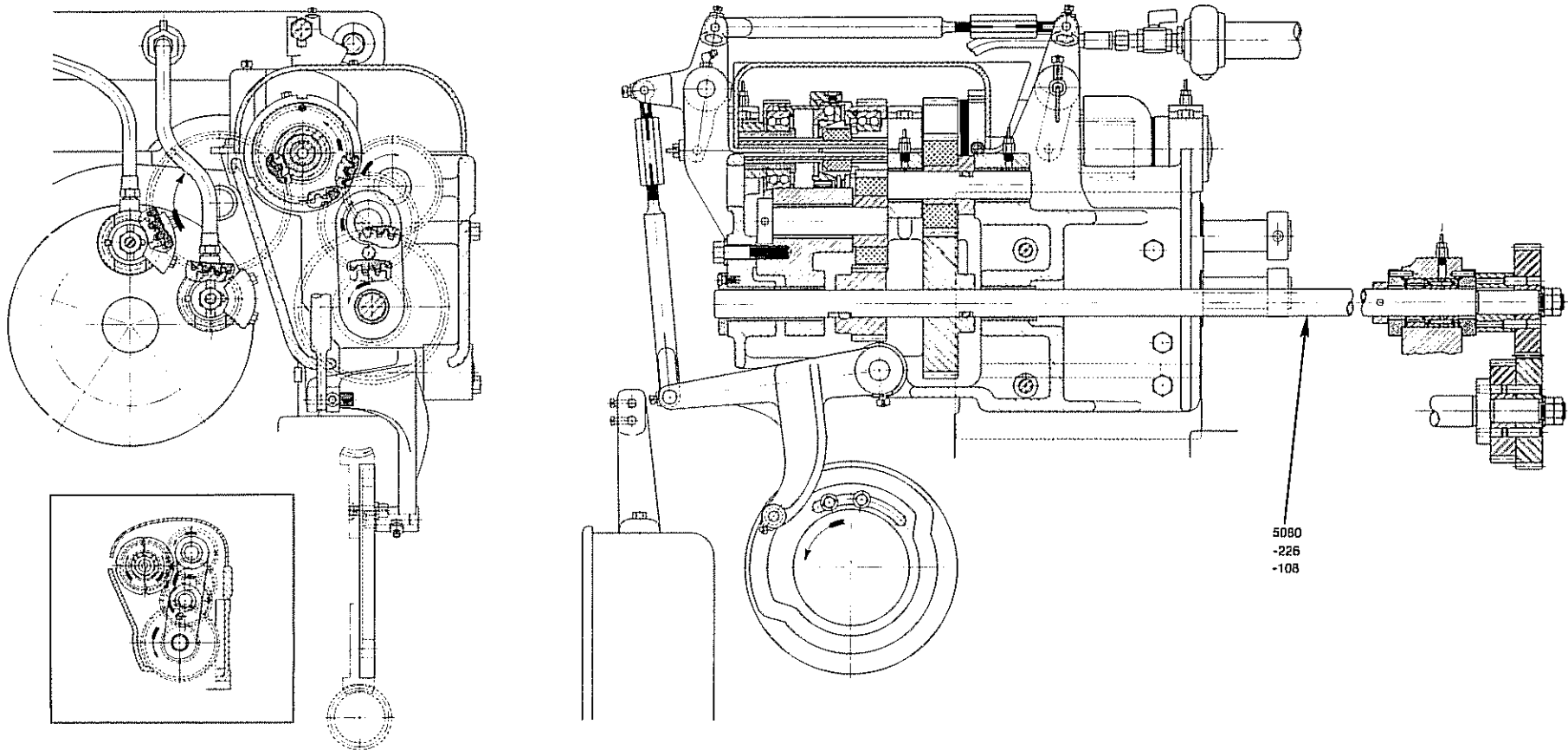


SECTION THROUGH WORK SPINDLES - EXTENDED BED



SECTION THROUGH DRIVE SHAFT - EXTENDED BED



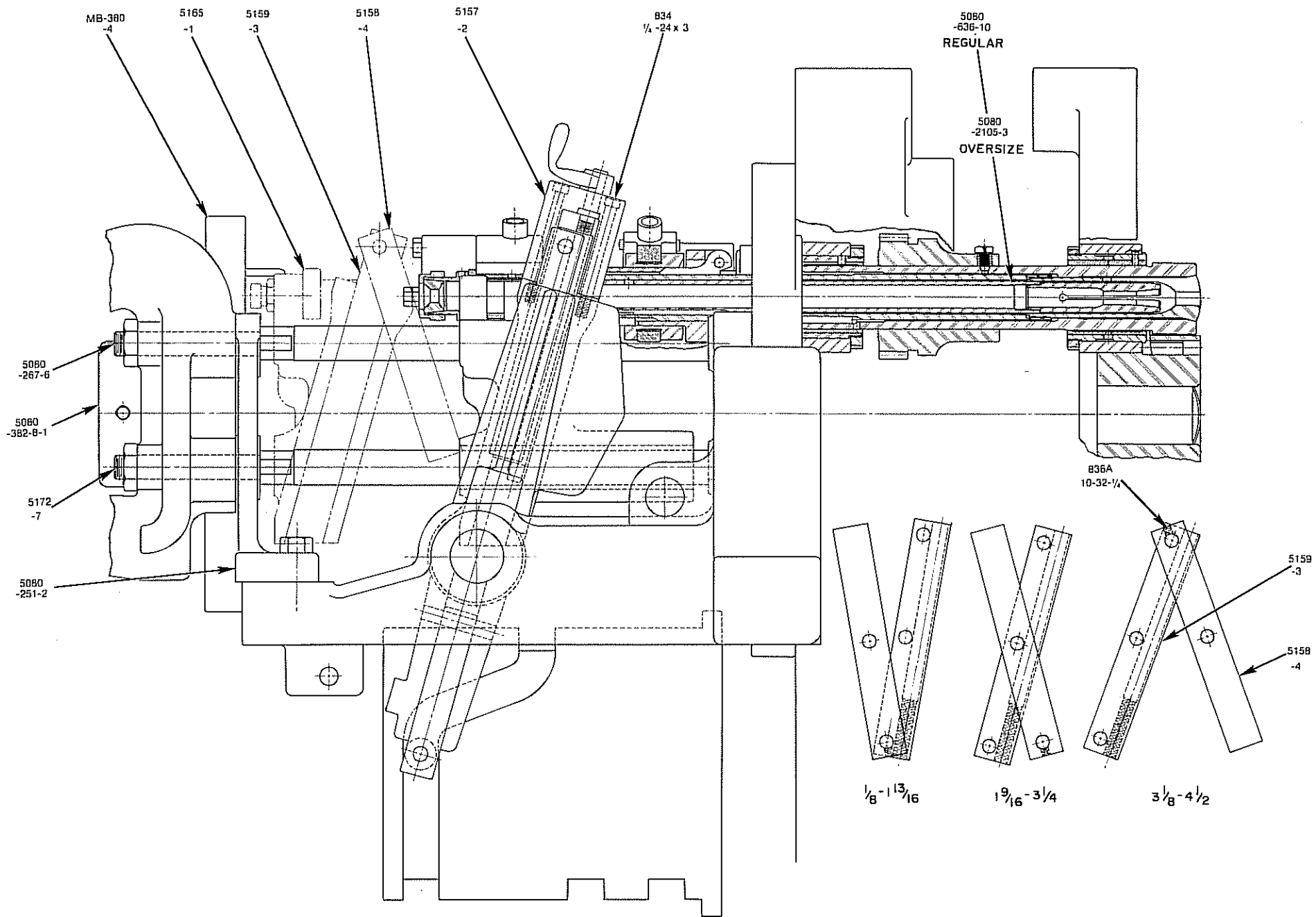


THREADING ATTACHMENT - SECTION THROUGH GEARING - EXTENDED BED

5157-2-SA 4-1/2" LONG FEED ATTACHMENT

5080-251-2	SLIDE ROD OUTER SUPPORT
5080-267-6	OUTER SUPPORT SLIDE ROD
5080-382-8-1	WIRE CASE CARRIER (INNER CARRIER)
5080-636-10	FEED TUBE REGULAR MACHINE
5080-2105-3	FEED TUBE OVERSIZE MACHINE
5157-2	FEED SLIDE GUIDE SCREW BLOCK
5158-4	FEED LEVER ADJUSTING BLOCK
5159-3	FEED SLIDE GUIDE ADJUSTING BLOCK
5165-1	FEED SLIDE GUIDE LATCH
5172-7	OUTER SUPPORT SLIDE ROD (SHORT)
MB-380-4	REVOLVING HEAD SUPPORT RING (EXTRA MACHINING)

NOTE: THIS ATTACHMENT IS STANDARD ON EXTENDED BED MACHINES,
BUT CAN BE USED ON STANDARD BED MACHINES.



5157-2-SA 4-1/2" LONG FEED ATTACHMENT

NOTES

NOTES

NOTES

NOTES

NOTES