

# **TURNING CONCEPTS**

*Solutions to the Metal Working Industry*



Attachments and Spare Parts for Multi-Spindle  
Automatic Screw Machines

machine

## **Schutte**

for models	<b>SG18 - AG20</b>	<b>SF13 - SF20 - SF26L</b>
	<b>SD25 - SD32</b>	<b>SF32 - AF32</b>
	<b>SD50 - SD63</b>	<b>SF42 - AF42</b>
	<b>SE16</b>	<b>SF51 - AF51</b>
	<b>SE25</b>	<b>SF67</b>

catalog #

## **Schutte Repair Parts Catalog 2018 - 2019**

Call us today **(704) 849-9209**  
or visit us online @ **turningconcepts.com**



# TABLE OF CONTENTS

<b>SG18 - AG20 .....</b>	<b>page 3</b>
<b>SD25 - SD32 .....</b>	<b>page 3</b>
<b>SD50 - SD63 .....</b>	<b>page 8</b>
<b>SE16 .....</b>	<b>page 12</b>
<b>SE25 .....</b>	<b>page 16</b>
<b>SF13/SF20/SF26 .....</b>	<b>page 19</b>
<b>SF32 - AF32 .....</b>	<b>page 22</b>
<b>SF42 - AF42 .....</b>	<b>page 26</b>
<b>SF51 - AF51 .....</b>	<b>page 30</b>
<b>SF67 .....</b>	<b>page 32</b>

# SG18 - AG20

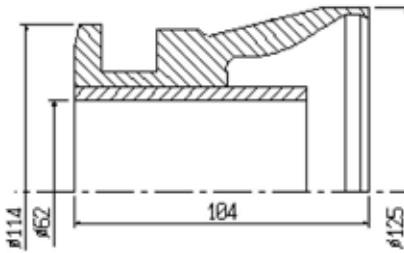


S17/001  
campana / sleeve

S4/003  
martelletto / toggle  
390



# SD25 - SD32



S4/001  
campana / sleeve SD32  
376+329



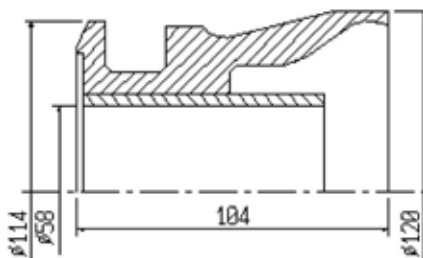
S4/008B  
anello / ring  
383



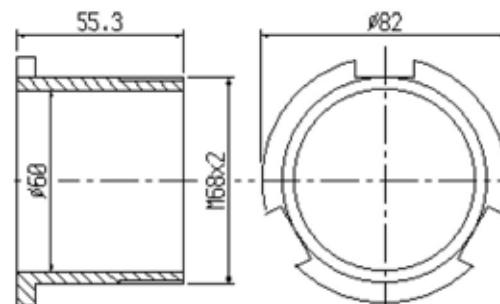
S4/011  
anello / ring



S4/003  
martelletto / toggle  
390

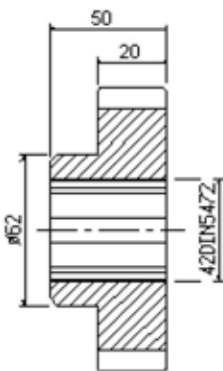
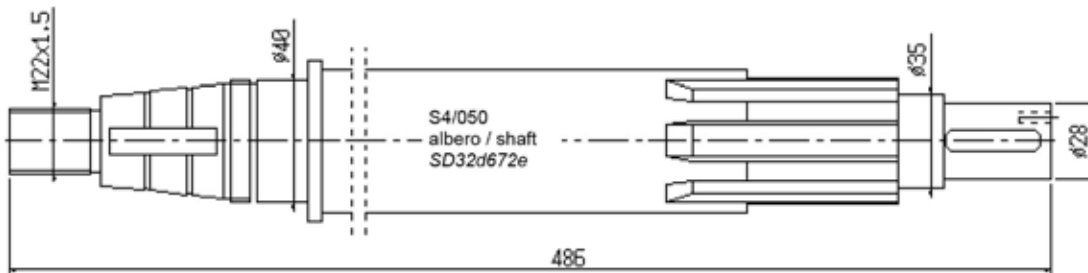
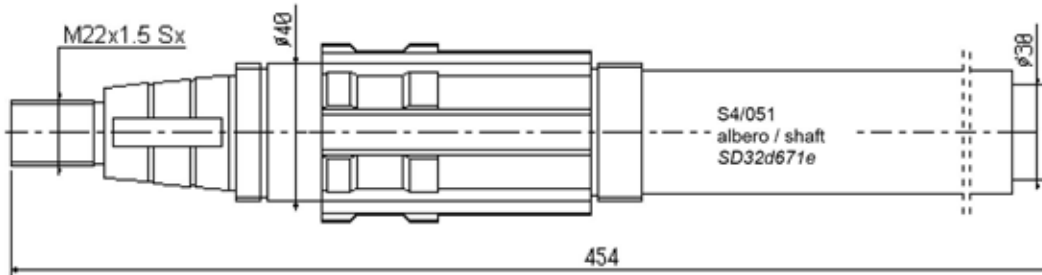
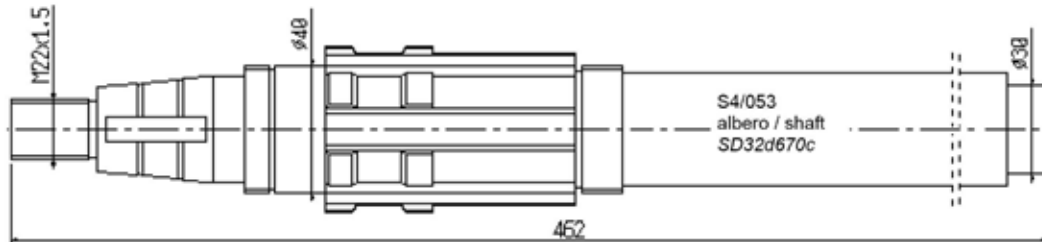


S4/001B  
campana / sleeve SD25  
376+329

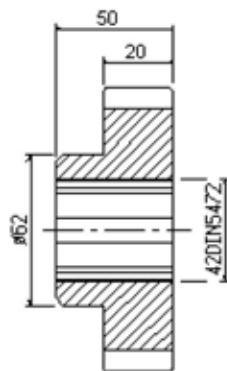


S4/007A  
boccola / sleeve  
372

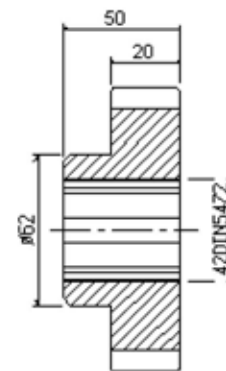
**SD25 - SD32**



S4/055  
Z42 ingranaggio / gear  
VD25d689

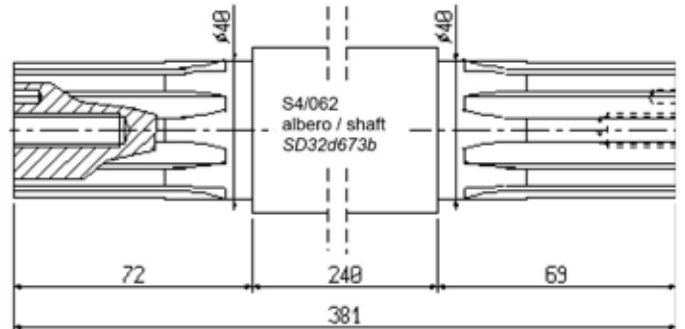
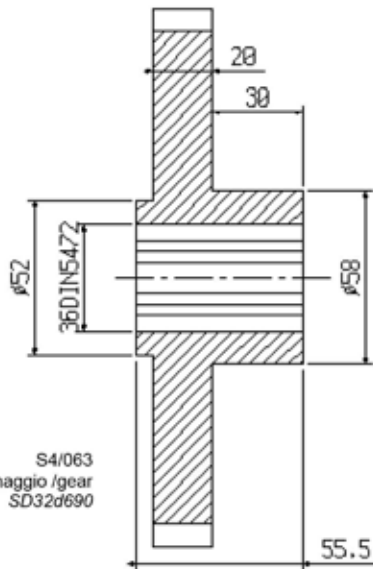
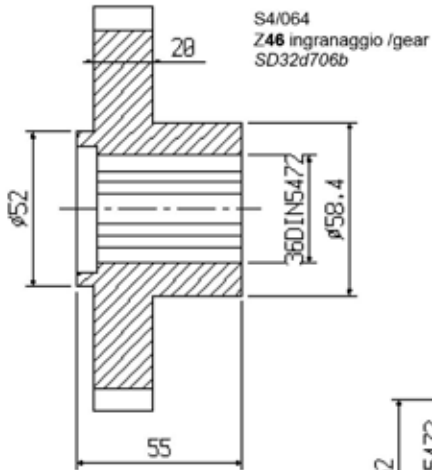
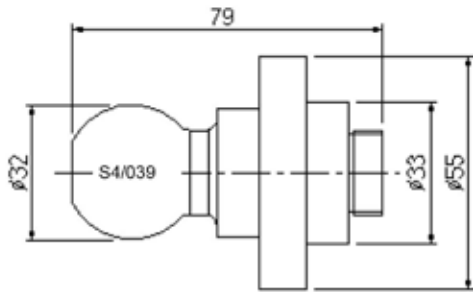
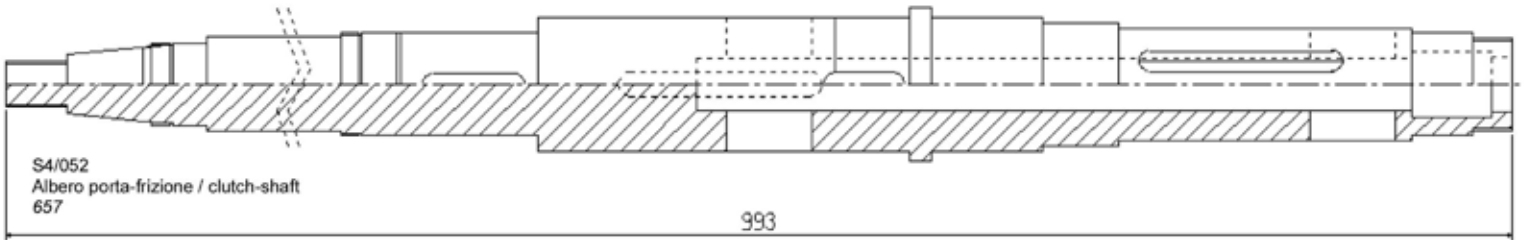


S4/055B  
Z45 ingranaggio / gear  
SD25d689

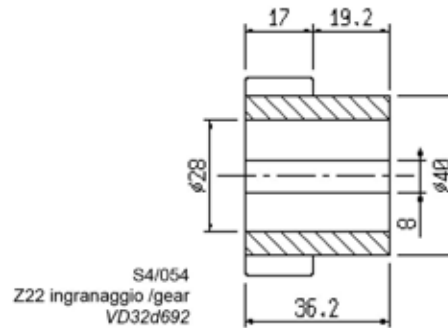
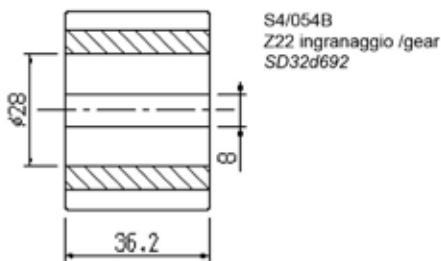
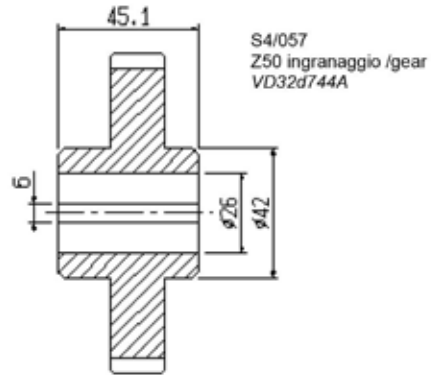
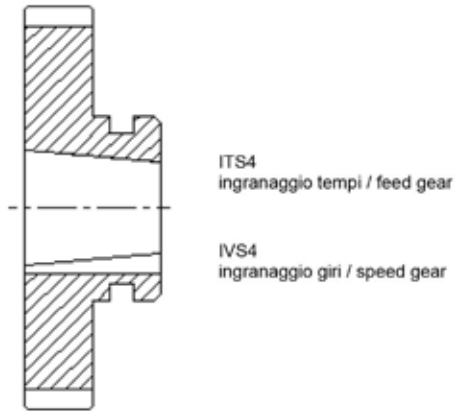


S4/059  
Z40 ingranaggio / gear  
SD25d685

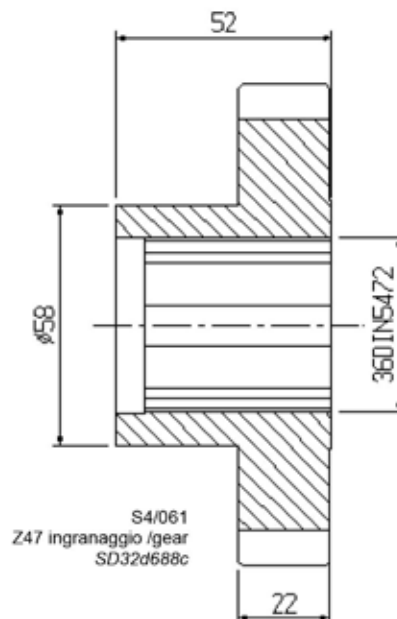
**SD25 - SD32**



**SD25 - SD32**



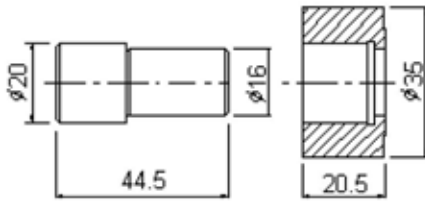
S4/060  
Z70 ingranaggio /gear  
SD32c687c



ALTRI PARTICOLARI FORNIBILISU RICHIESTA:  
OTHER ITEMS AVAILABLE ON DEMAND:

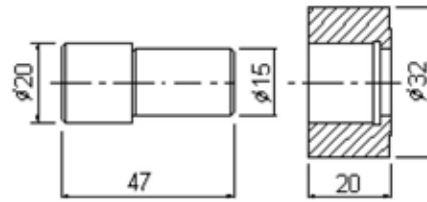
- SD32d1384 ingranaggio / gear
- SD32d1382 ingranaggio / gear
- SD32d3108d ingranaggio / gear
- SD32c687a ingranaggio / gear
- SD32d1815 ingranaggio / gear
- SD32d690 ingranaggio / gear

**SD25 - SD32**



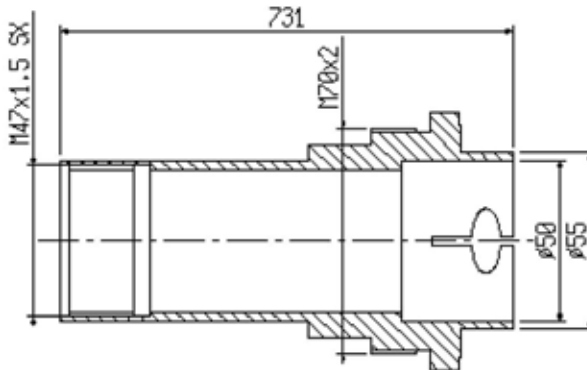
S4/030P  
perno / pin

S4/030R  
rullo / roller

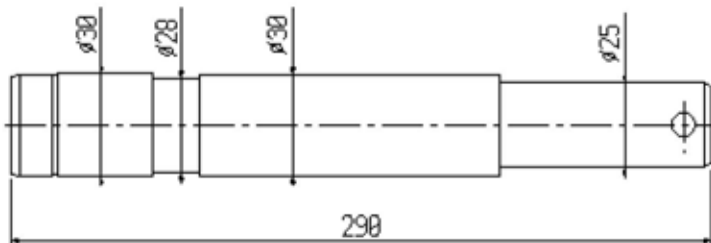


S4/031P  
perno / pin

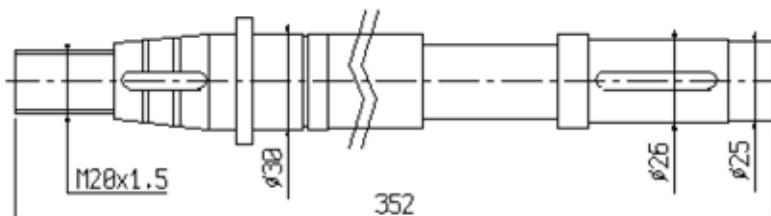
S4/031R  
rullo / roller



S4/010  
tubo portapinza / collet tube  
341

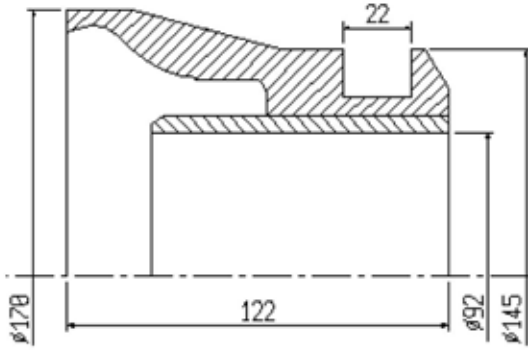


S4/056  
albero / shaft



S4/058  
albero / shaft  
SD63d121a

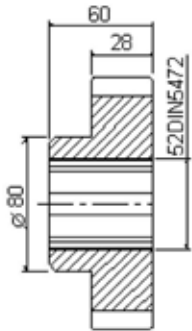
**SD50 - SD63**



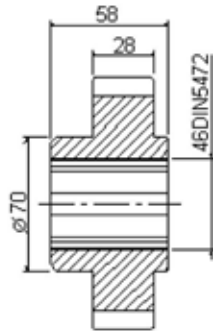
S5/001  
campana / sleeve  
SD50c376



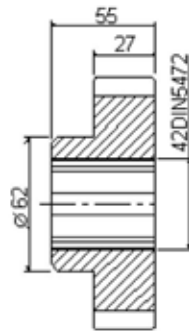
S5/003  
martelletto / toggle  
VD63d390a



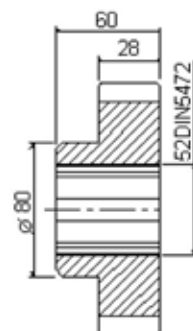
S5/061  
Z39 ingranaggio /gear  
SD50d689a



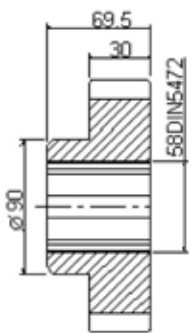
S5/060  
Z51 ingranaggio /gear  
SD50d690a



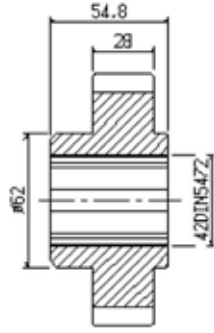
S5/059  
Z40 ingranaggio /gear  
SD50d688b



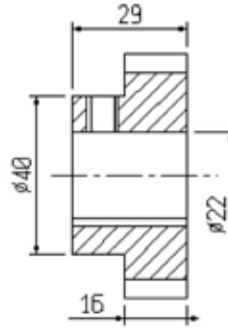
S5/063  
Z46 ingranaggio /gear  
SD50d685a



S7/054  
Z52 ingranaggio /gear  
685



S5/052  
Z40 ingranaggio /gear  
706



S5/058  
Z23 ingranaggio /gear  
SD63d1069



ITS4  
ingranaggio tempi / feed gear

IVS5  
ingranaggio giri / speed gear



**SD50 - SD63**



S5/057  
albero / shaft  
SD50c670c



S5/055  
albero / shaft  
SD63c670f



S5/051  
albero / shaft  
SD50c671e



S5/054  
albero / shaft  
SD63c671g

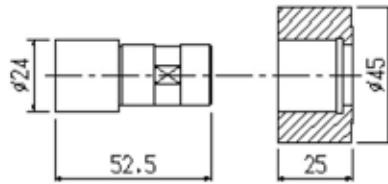


S5/050  
albero / shaft  
672



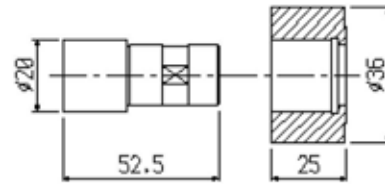
S5/056  
albero / shaft  
SD63c672f

# SD50 - SD63



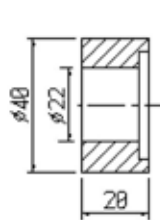
S5/030P (186)  
perno / pin

S5/030R  
rullo / roller

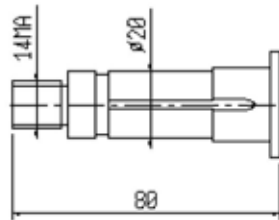


S5/031P (523)  
perno / pin

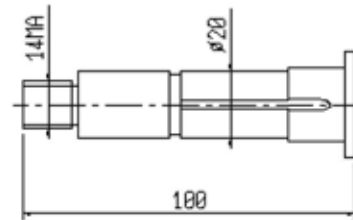
S5/031R (522)  
rullo / roller



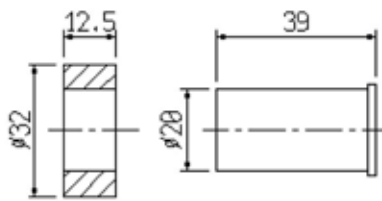
S5/033R  
rullo / roller



S5/033P  
perno / pin  
VD63d851

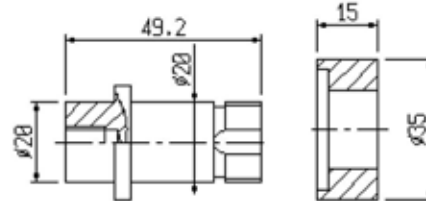


S5/034P  
perno / pin



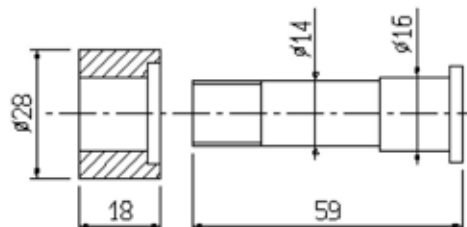
S5/036R  
rullo / roller

S5/036P  
perno / pin



S7/030P (612)  
perno / pin

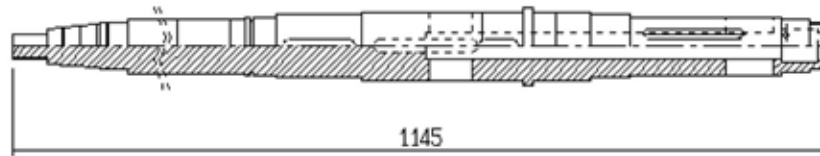
S7/030R (615)  
rullo / roller



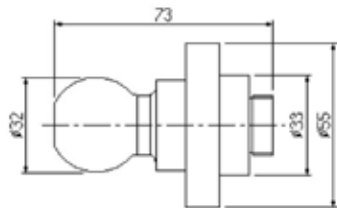
S5/032R (90)  
rullo / roller

S5/032P (89)  
perno / pin

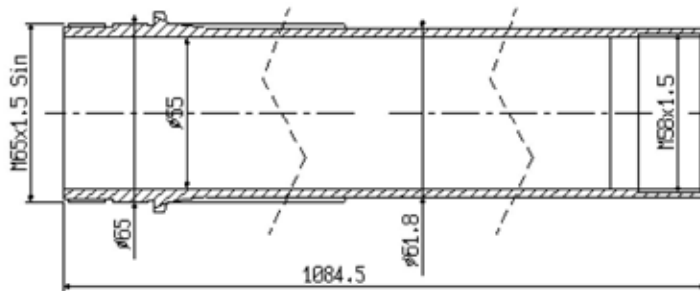
**SD50 - SD63**



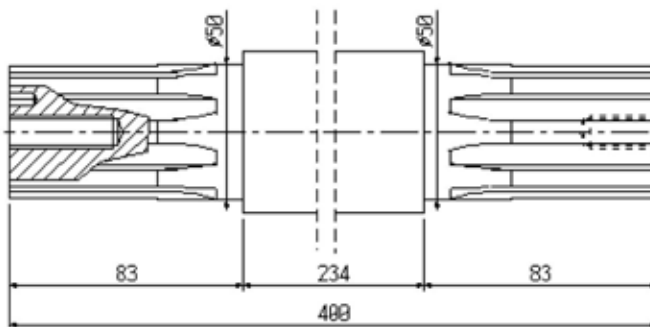
S5/053  
Albero portafrizione / clutch-shaft  
SD50d657d



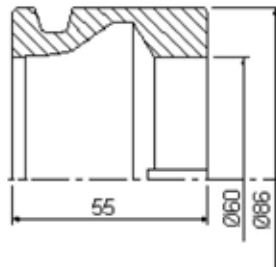
S5/039  
ginocchiera / pivot



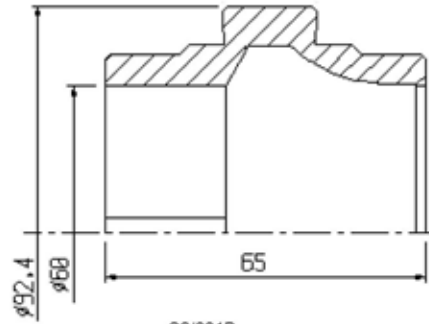
S5/012  
tubo avanzamento / feed tube



S5/064  
albero / shaft  
673



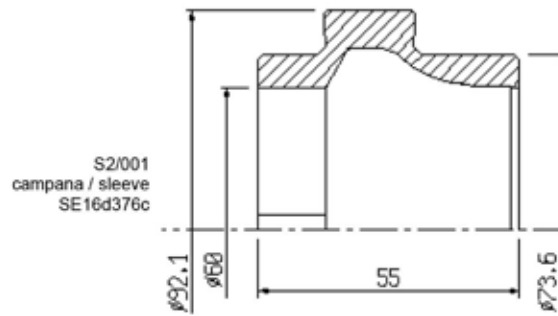
S2/002  
campana / sleeve  
SE16d376d



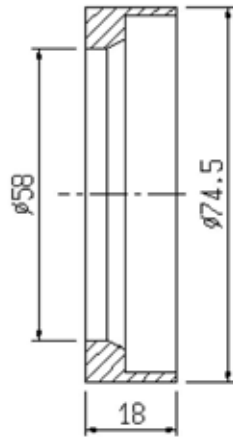
S2/001B  
campana / sleeve  
SE16d376b



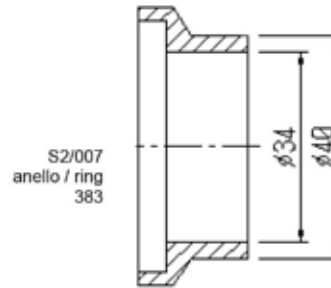
S2/003  
martelletto / toggle  
390



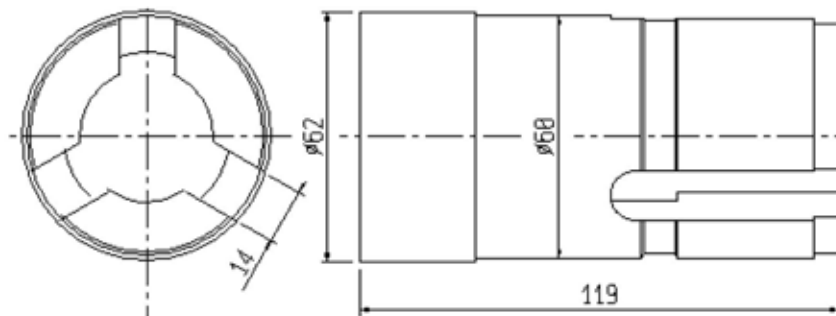
S2/001  
campana / sleeve  
SE16d376c



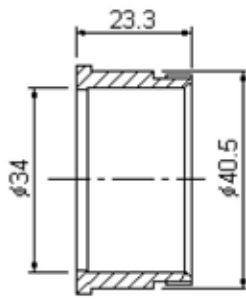
S2/011  
anello / ring  
375



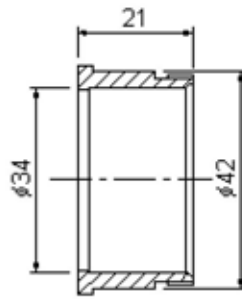
S2/007  
anello / ring  
383



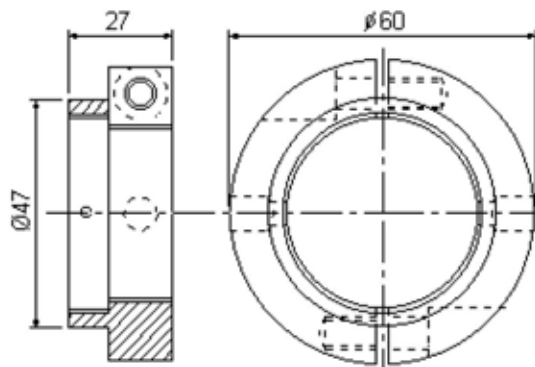
S2/019  
Portacampana  
sleeve-holder  
346



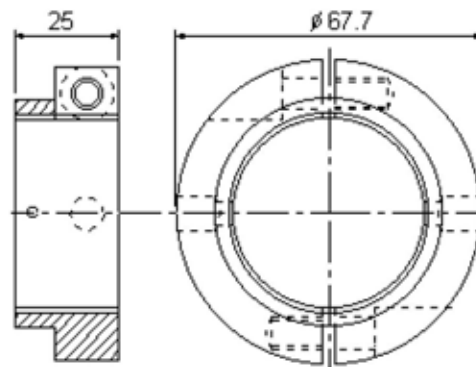
S2/008A  
Boccola portamolle  
Belleville washer ring  
SE16d334/2



S2/008B  
Boccola portamolle  
Belleville washer ring



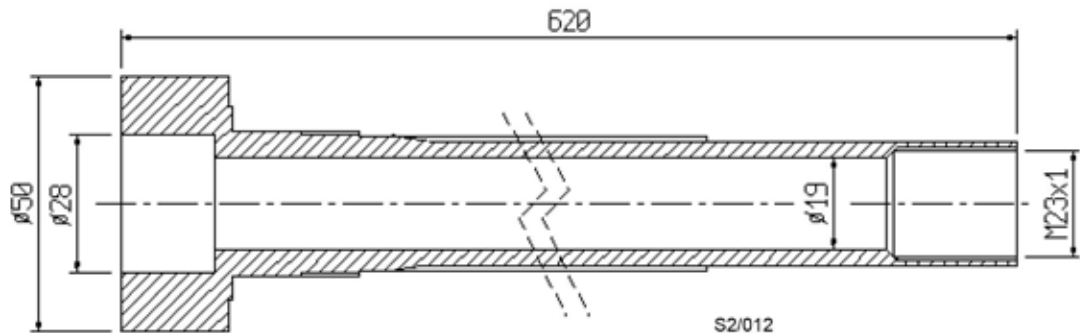
S2/009A  
Ghiera registraz. Molle / Nut  
SE16d337/1



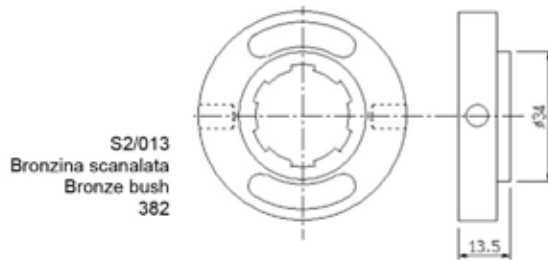
S2/009B  
Ghiera registraz. Molle / Nut



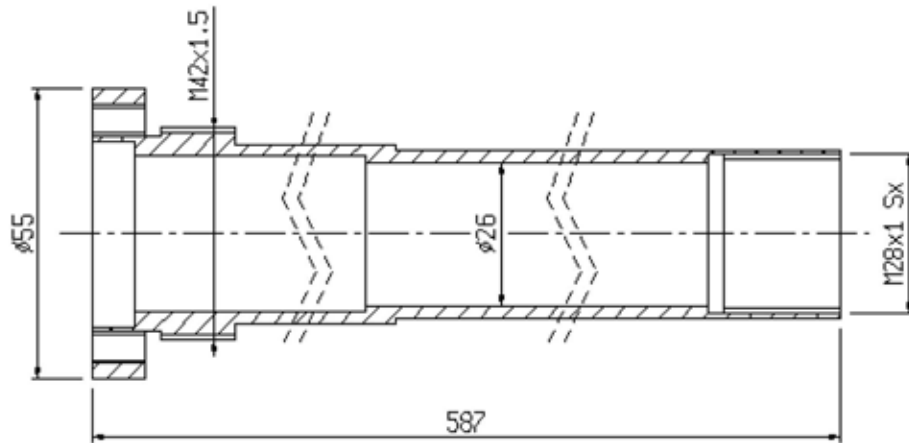
S2/090  
Molle a tazza / Belleville washer  
335



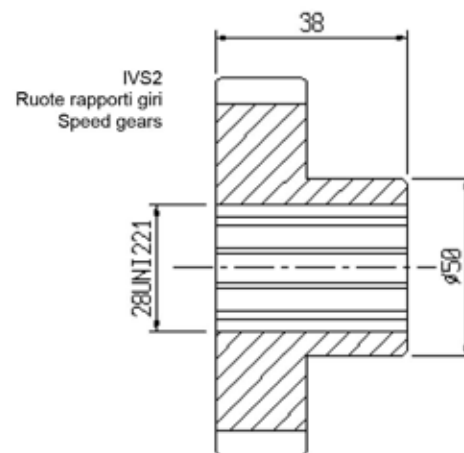
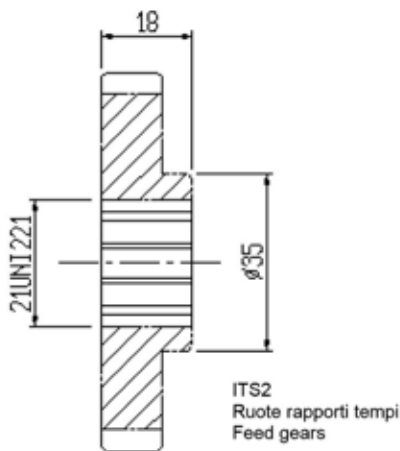
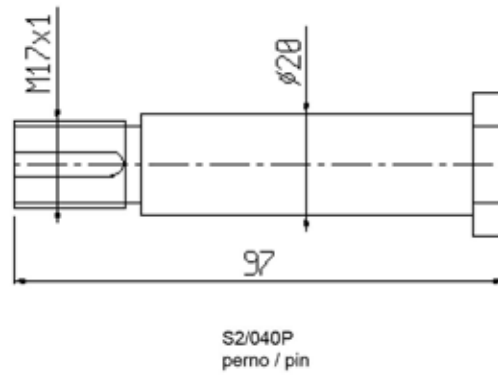
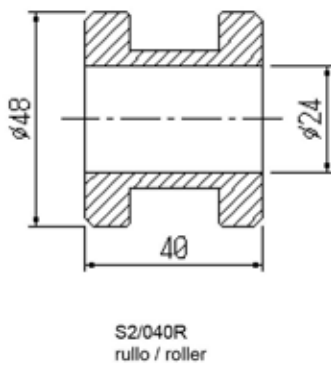
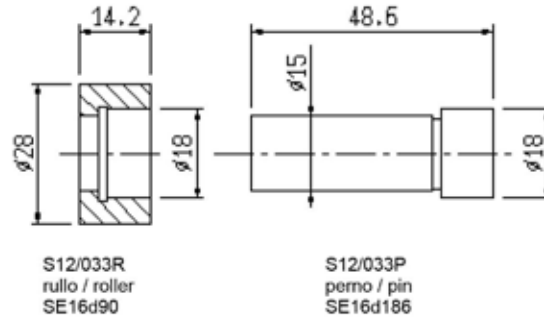
S2/012  
tubo avanzamento / feed tube  
342

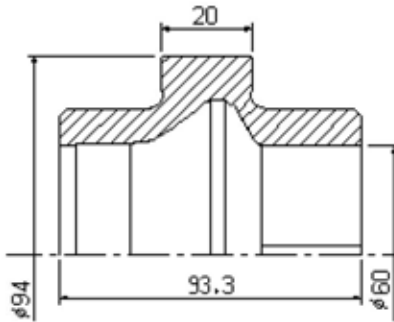


S2/013  
Bronzina scanalata  
Bronze bush  
382

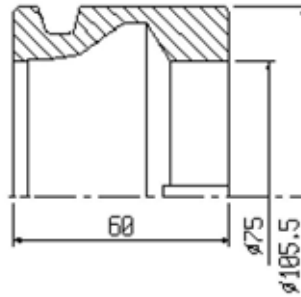


S2/010  
tubo stringibarra / collet tube  
341





S3/001  
campana / sleeve  
SE25d376



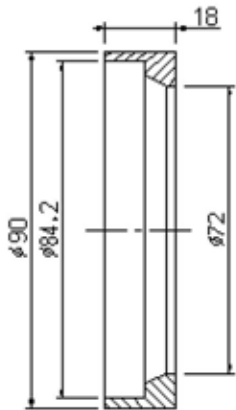
S3/002  
campana / sleeve  
SE25d376b



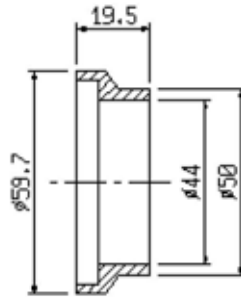
S3/003  
martelletto / toggle  
SE25d390a



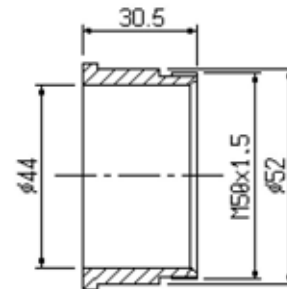
S3/090  
Molle a tazza / Belleville washer  
335



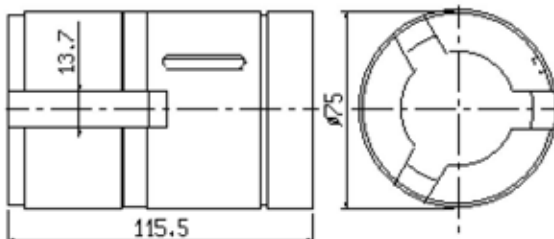
S3/011  
anello / ring  
375



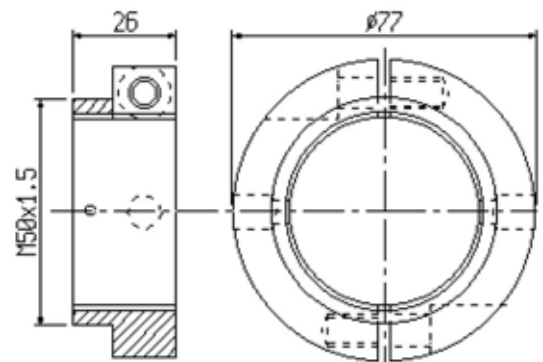
S3/007  
anello / ring  
383



S3/008  
Boccola portamolte  
Belleville washer ring  
334

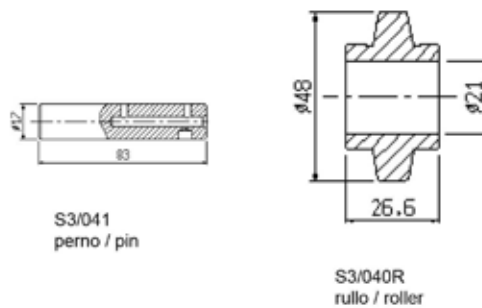
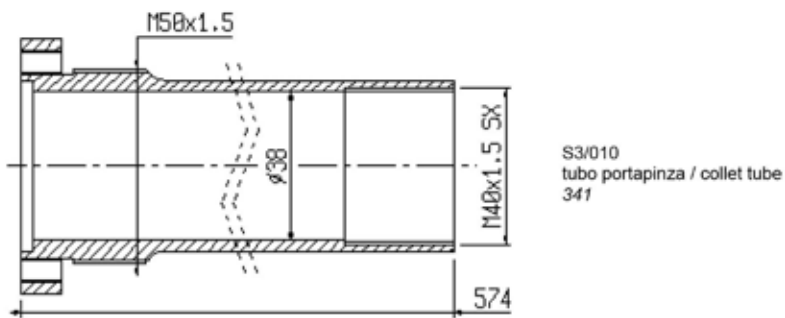
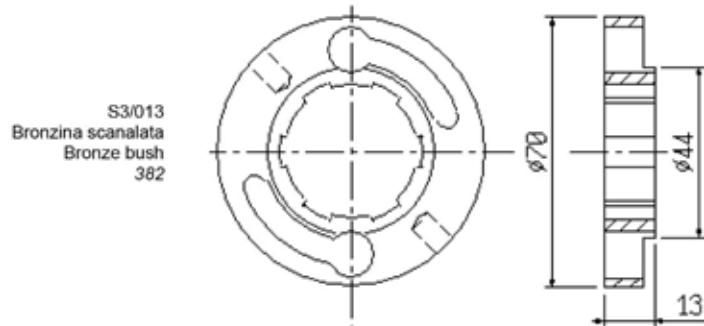
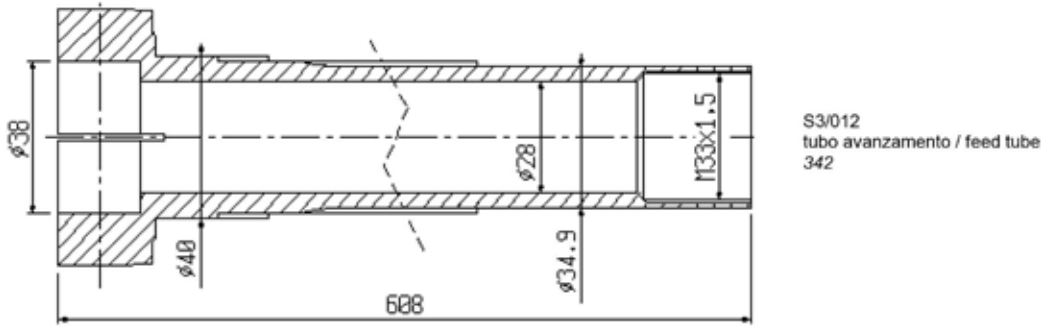


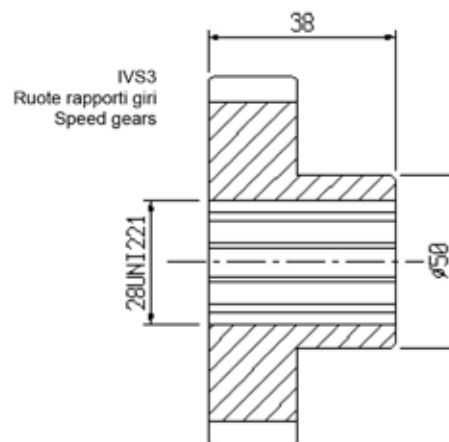
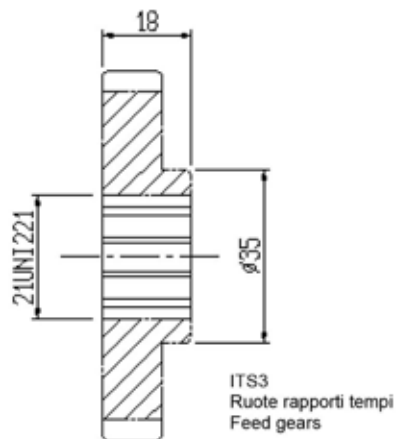
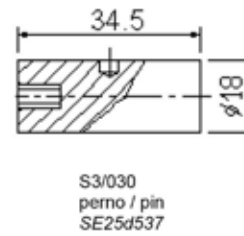
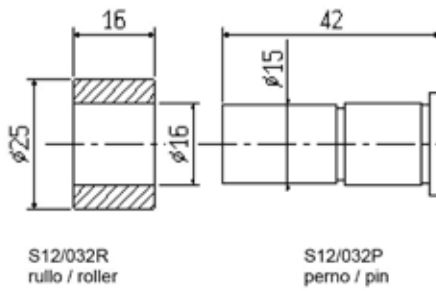
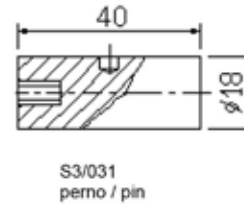
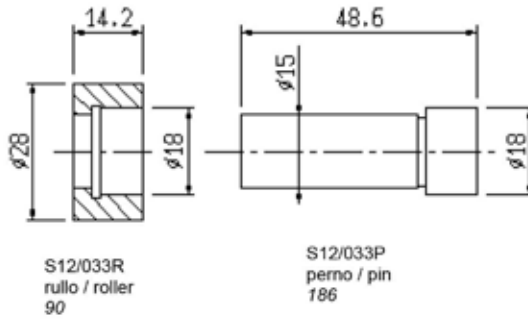
S3/019  
Portacampana  
sleeve-holder  
SE25d346b



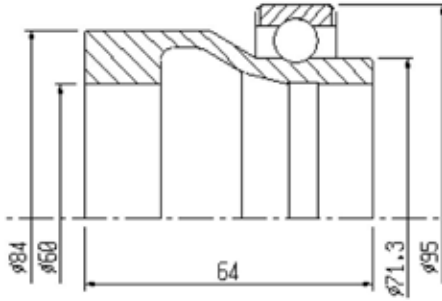
S3/009  
Ghiera registraz. Molle / Nut  
SE25d337a



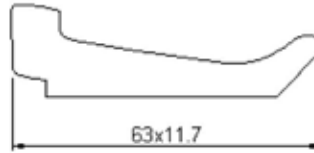




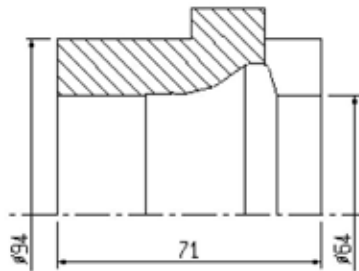
# SF13 - SF20 - SF26L



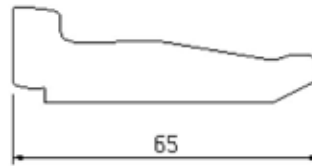
S12/001  
campana / sleeve  
C3210C-11SZ



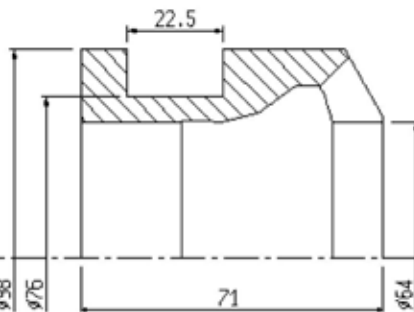
S12/003  
martelletto / toggle (C3220B-11SZ)



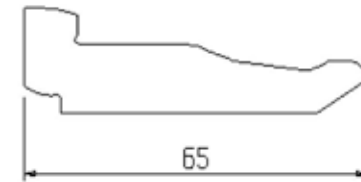
S12/002  
campana / sleeve  
D3210B-11SL-1



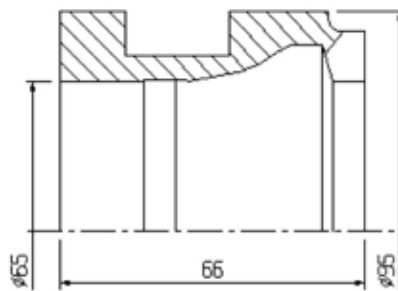
S9/003  
martelletto / toggle (C3220C-11SL)



S9/001  
campana / sleeve  
D3210D-11SL



S9/004  
martelletto / toggle (C3220B-11SL)



S9/001B  
campana / sleeve  
D3210E-11SL

# SF13 - SF20 - SF26L



# SF13 - SF20 - SF26L



S12/022  
settore dentato / sector gear  
D5490A-11S



S12/020  
cremagliera / linear gear  
D6090-11S



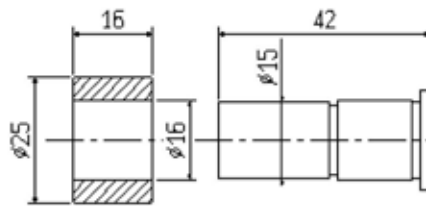
S12/021  
cremagliera / linear gear  
D6110A-11S



S12/070  
cuffia / cap  
D4170A-11SL

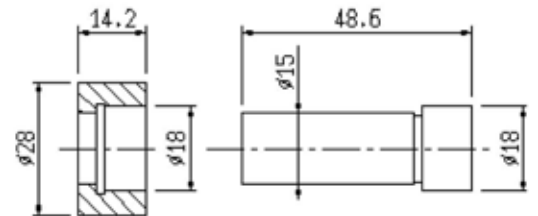


S12/023  
settore dentato / sector gear  
D5495A-11S



S12/032R  
rullo / roller

S12/032P  
perno / pin



S12/033R  
rullo / roller

S12/033P  
perno / pin

## PICK UP ATTACHMENT SPARE PARTS



S12/101  
campana / sleeve



S12/111  
Mozzo porta martelletti  
Toggle-holder



S12/103  
martelletto / toggle

**SF32 - AF32**



S13/003  
martelletto / toggle  
C3220C-23Z



S13/001  
campana / sleeve  
C3210D-33Z



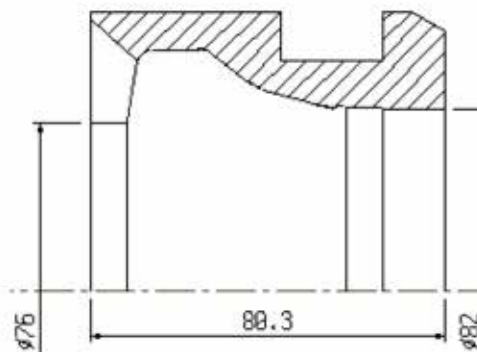
S14/002  
campana / sleeve  
C3210B-33Z



S13/004  
martelletto / toggle  
C3220A-23Z

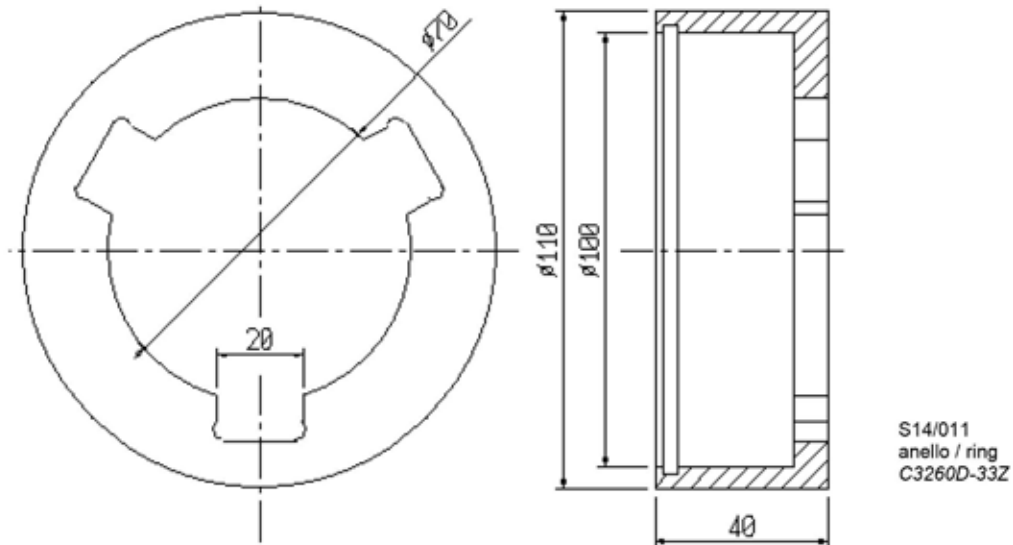
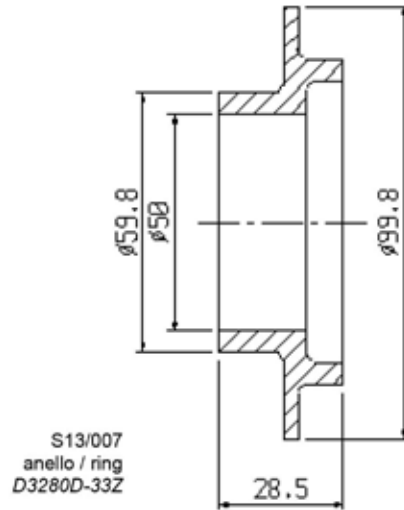


S13/005  
martelletto / toggle  
C3220B-23Z

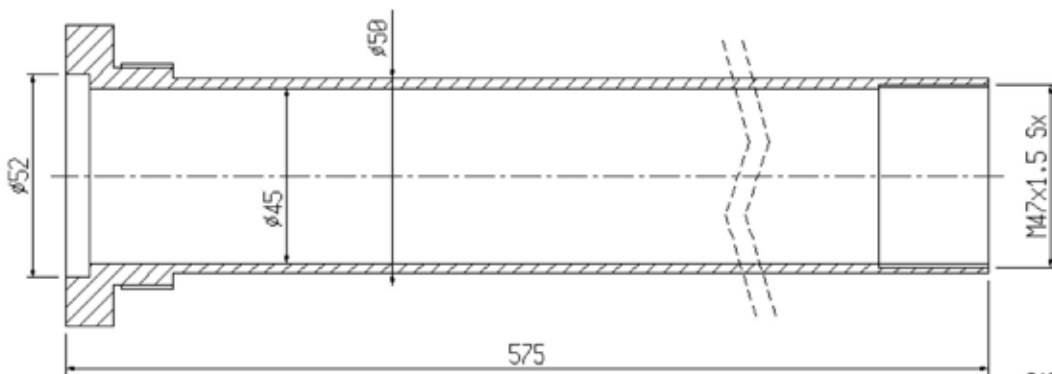


S14/001  
campana / sleeve  
C3210C-33Z

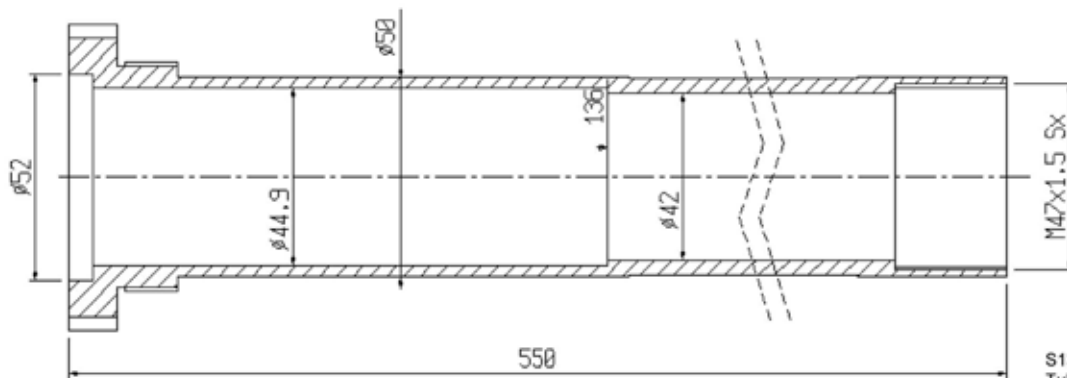
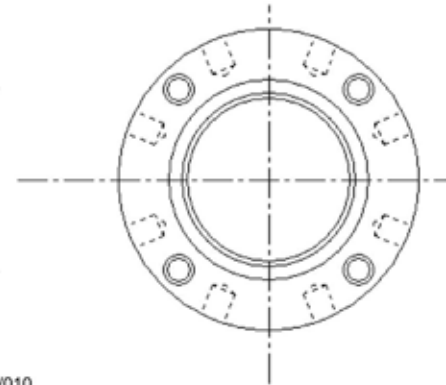
# SF32 - AF32



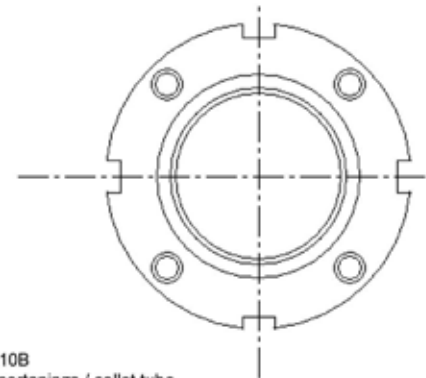
**SF32 - AF32**



S13/010  
Tubo portapinza / collet tube

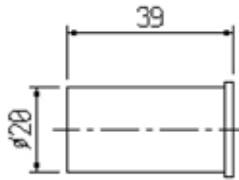


S13/010B  
Tubo portapinza / collet tube  
C3070C-33Z

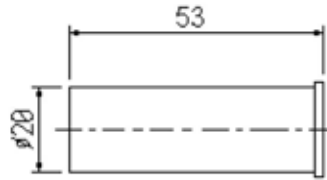




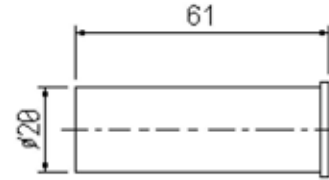
# SF32 - AF32



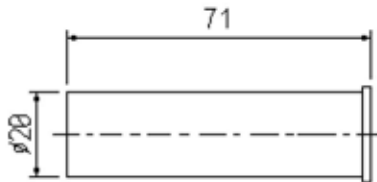
S5/036P Perno / Pin



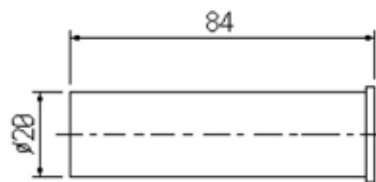
S8/033P Perno / Pin



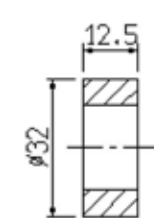
S8/031P Perno / Pin



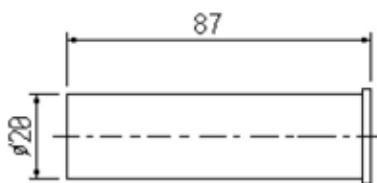
S8/035P Perno / Pin



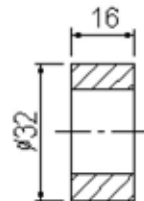
S8/030P Perno / Pin



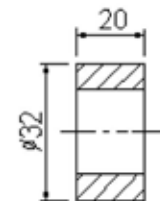
S5/036R Rullo / Roller



S8/034P Perno / Pin



S8/031R Rullo / Roller



S8/030R Rullo / Roller

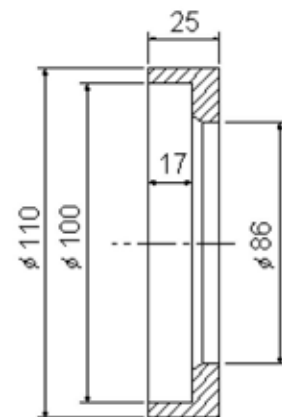


S8/036  
Vite per camme / Cam screw  
C5820A-44M  
2.81.15.68.1

S8/060  
Distanziale camme / Cam spacer  
C5830A-67M  
2.24.28.35.1



S8/060B  
Distanziale camme / Cam spacer  
C5830A-44M



S13/011  
anello / ring  
D3260B-33Z

**SF42 - AF42**



S8/003  
martelletto / toggle  
C3220B-45Z



S8/001B  
campana / sleeve  
C3210C-44Z



S8/011B  
anello / ring  
D3260-44SZ



S8/002  
campana / sleeve  
C3210-44SZ



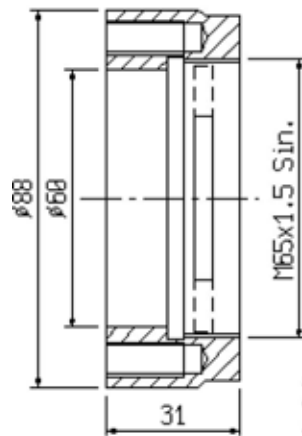
S8/004  
martelletto / toggle  
C3220A-44SZ



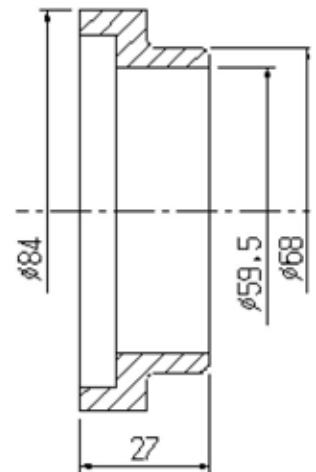
S8/011A  
anello / ring  
D3260A-44



S8/008  
Boccola portamolloy /  
bush  
D3290-44SZ



S8/052  
Ghiera / Nut  
D3063B-55Z

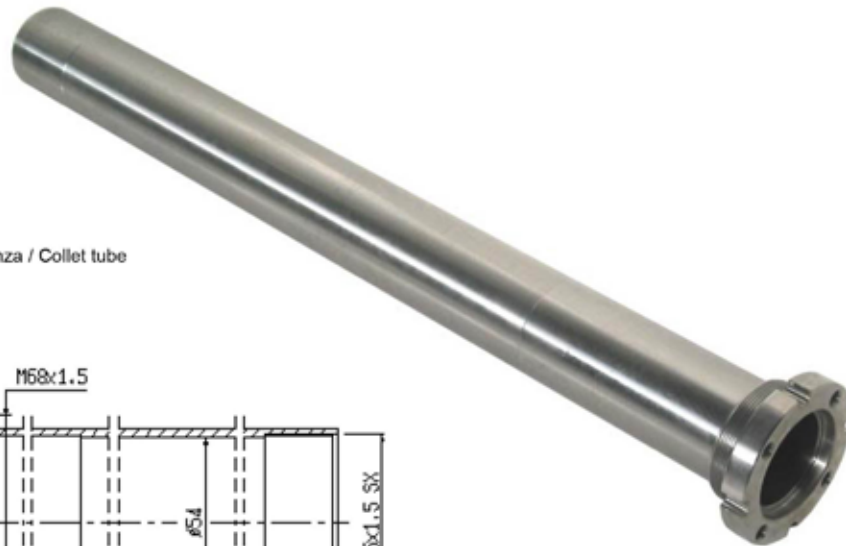
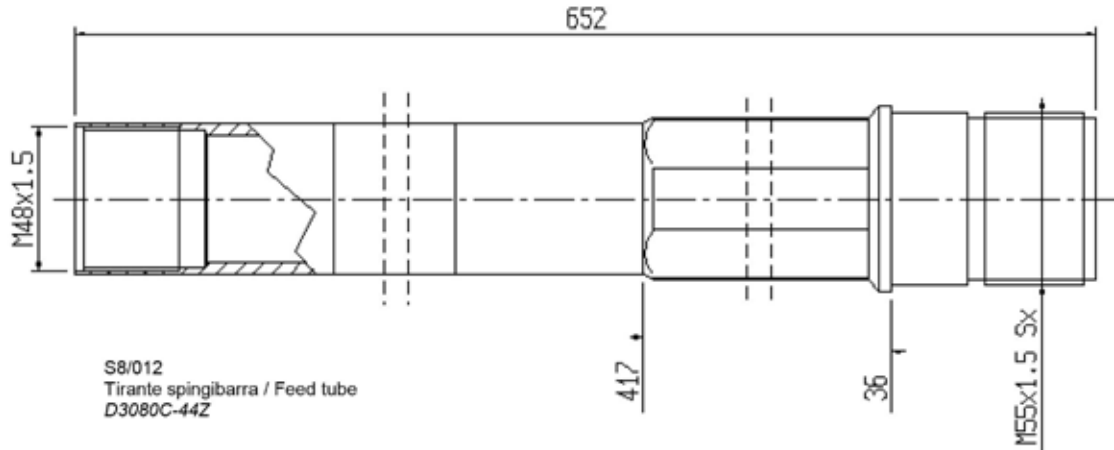


S8/007  
anello / Ring  
D3280-44SZ

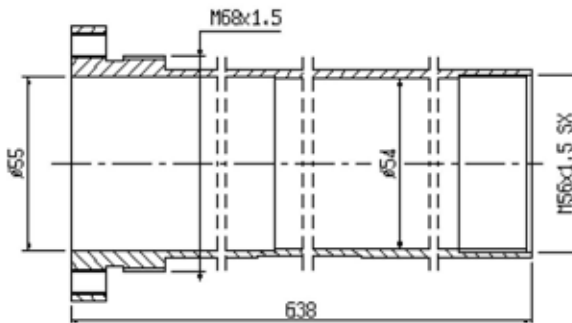


S8/009  
Ghiera / Nut  
D3254-44SZ

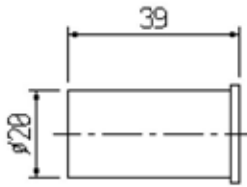
**SF42 - AF42**



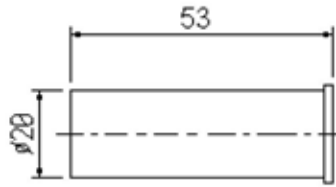
S8/010  
Tirante portapinza / Collet tube  
C3070C-44Z



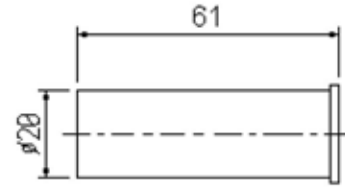
# SF42 - AF42



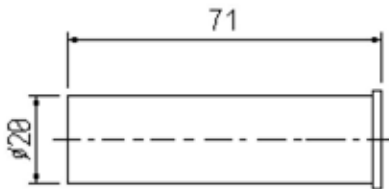
S5/036P Perno / Pin



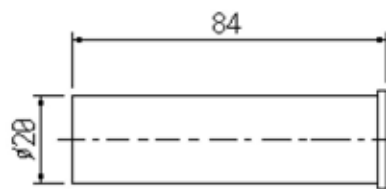
S8/033P Perno / Pin



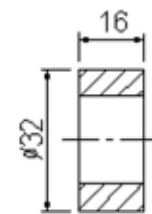
S8/031P Perno / Pin



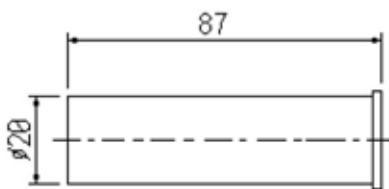
S8/035P Perno / Pin



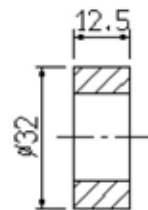
S8/030P Perno / Pin



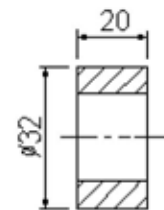
S8/031R Rullo / Roller



S8/034P Perno / Pin



S5/036R Rullo / Roller



S8/030R Rullo / Roller

S8/036  
Vite per camme / Cam screw  
C5820A-44M  
2.81.15.68.1



S8/060  
Distanziale camme / Cam spacer  
C5830A-67M  
2.24.28.35.1



S8/060B  
Distanziale camme / Cam spacer  
C5830A-44M

# SF42 - AF42



S8/020  
cremagliera / linear gear  
D61134M



S8/021  
cremagliera / linear gear  
D60934S



S8/022  
Settore dentato / sector gear  
D549-44S



S8/023  
Settore dentato / sector gear  
D5490A-45S

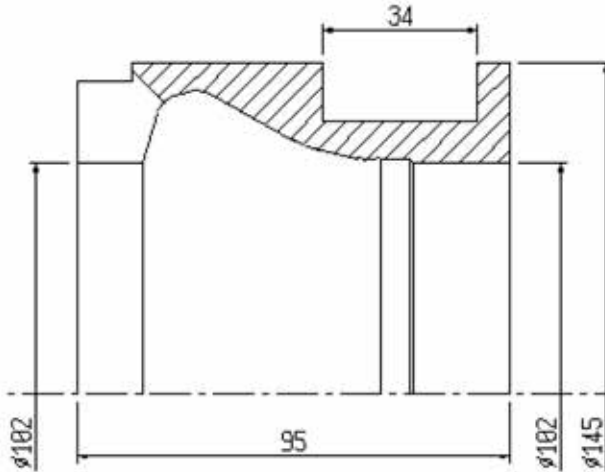


S8/051  
C26KD1S50



S8/050  
D5760C-45SZ

# SF51 - AF51



S18/001  
campana / sleeve  
C3210C-55Z

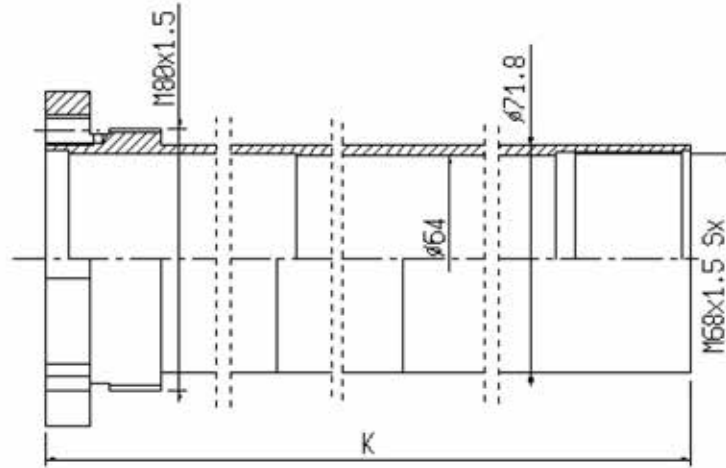


S8/003  
martelletto / toggle  
C3220B-45Z



S13/004  
martelletto / toggle  
C3220A-44SZ

# SF51 - AF51



Tirante portapinza / Collet tube

S8/010B K = 614mm C3070E-55Z

S8/010C K = 944mm C3170B-55Z

S8/010D K = 1088mm



S8/012C  
Tirante spingibarra / Feed tube  
D3080A-55Z  
K = 613mm

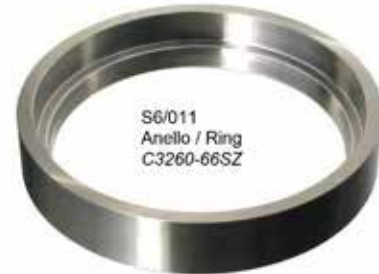




S6/001  
campana / sleeve  
C3210A-66SZ



S6/003  
martelletto / toggle  
C3220A-67SZ



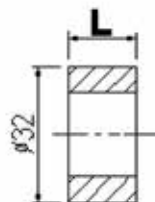
S6/011  
Anello / Ring  
C3260-66SZ



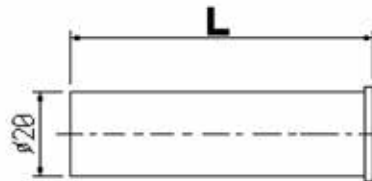
S6/008  
Boccola portamolle /  
bush  
D3290-66SZ



S6/009  
Ghiera / Nut  
D3250A-66SZ



S6/030R  
rullo / roller



S6/030P  
perno / pin



Maintaining your equipment to its optimum performance is important to your business.

**Turning Concepts** has the knowledge and expertise to help you on your next project. Call one of our experts today and see the difference working with Turning Concepts can make for your business.

**Turning Concepts**  
701 Matthews Mint-Hill Road  
Matthews, NC 28104

**Phone (704) 849-9209**

***TURNING  
CONCEPTS***  
*Solutions to the Metal Working Industry*

